

1. Checking the Parts in the Kit

Confirm that all parts listed below are included in the kit. If any part is shorted or any abnormality is found in the appearance of the parts, contact our sales representative where you bought the instrument.

List of parts included in the kit.

brackets (2 pcs), binding-head screws (M5, 12 mm long) (4 pcs), sealing labels (8 pcs)

2. Removing the Parts from the Instrument

Removing the Handle

Note: There is a chance that the handle cannot be reattached once it has been removed from the instrument.

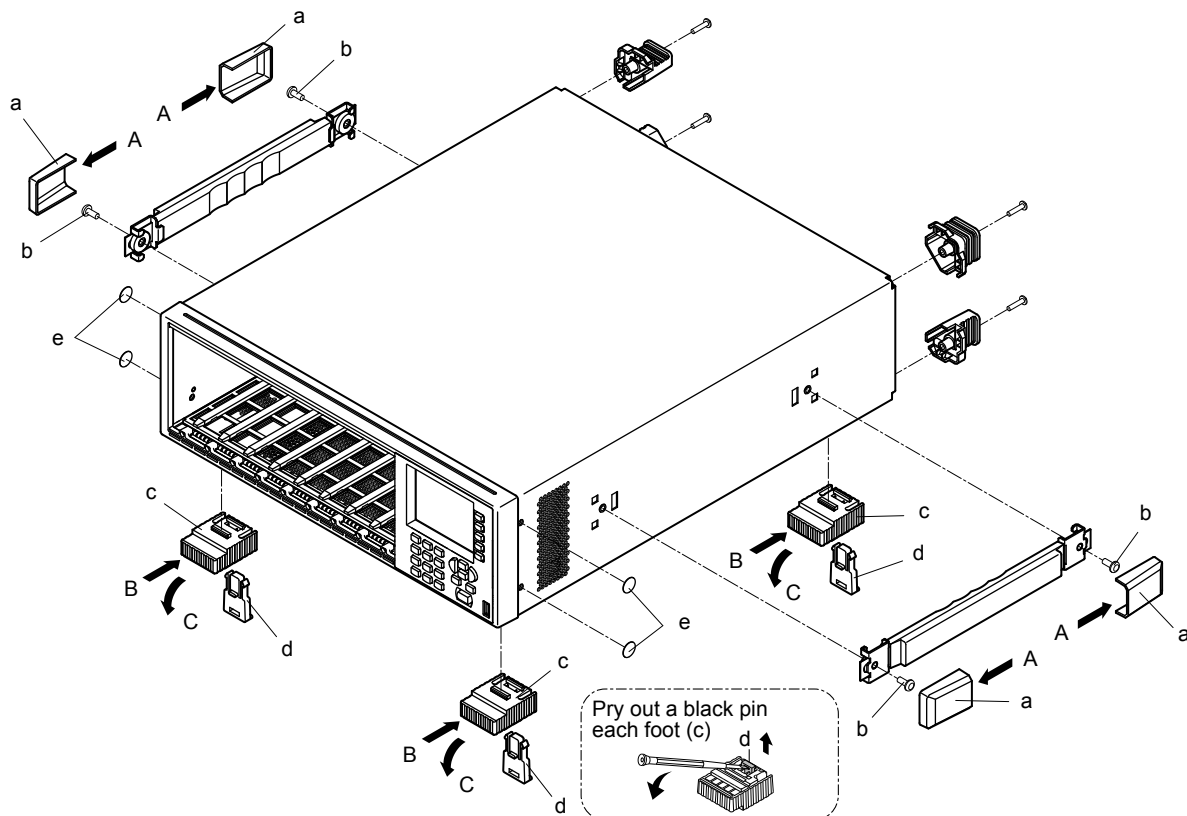
1. Remove the two covers (a) from the handle by firmly inserting a screwdriver in the direction of the two arrows marked (A). If the covers stick to the handle, use another tool to widen the opening of each cover horizontally and then retry taking off the cover.
2. To remove the handle, unscrew the two screws (b) which fix the handle to the instrument.

Removing the Feet on the Bottom

3. If the feet on the bottom of the instrument are covered with rubber stoppers, remove all of them.
4. When a black pin (d) is included in each foot (c), pry out the four pins (d) with a thin screwdriver as shown in the figure below.
5. Press each foot (c) in the direction of arrow (B), that is, toward the rear of the instrument, to slide off the four feet (c).
6. Press each foot (c) in the direction of arrow (C), that is, downward, to remove the four feet (c).

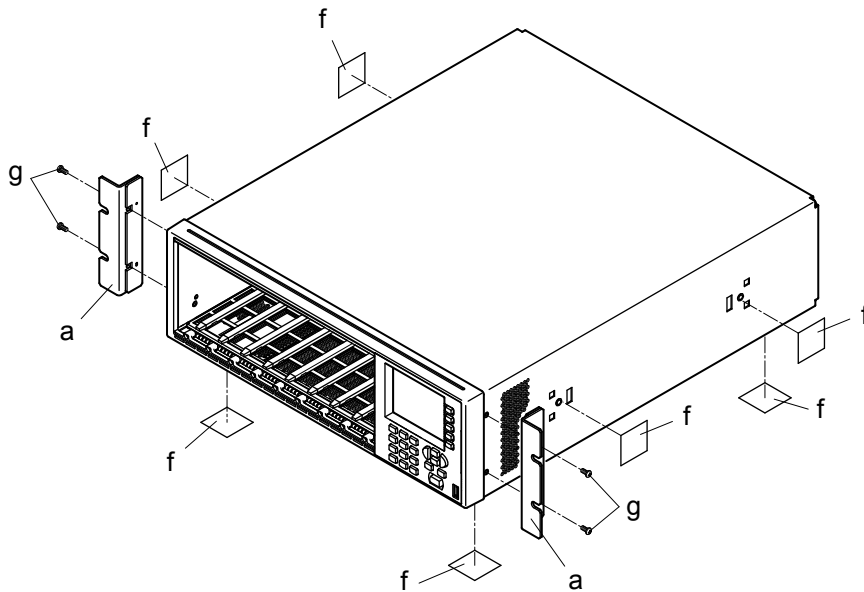
Removing the Sealing Labels

7. Remove sealing label (e) from the left and right sides of the instrument (4 labels).



3. Joining the Instruments with Mounting Hardware

1. Place the six sealing labels (f) over the feet and handle attachment holes.
2. Attach the two brackets (a) to the left side and right side of the instrument with four binding-head screws (g).
Reference torque value: 2.8 to 2.9 N·m

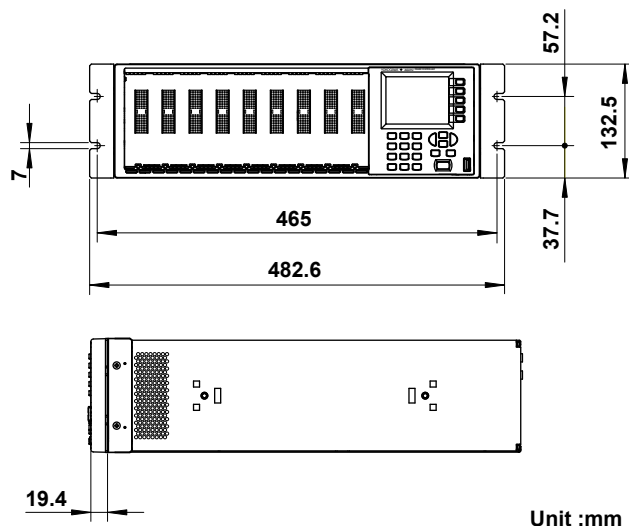


4. Mounting the Joined Instruments to the Rack

Dimensions after mounting to the rack are illustrated below.

Note:

1. Be sure to support the instrument from the bottom. When doing so, make sure not to cover the ventilation holes on the bottom of the instrument.
2. Provide a clearance of at least 100 mm around the instrument to prevent the temperature rise inside the instrument.



Unit : mm

Note

When rack-mounting the instrument, remove the feet from the rear of the instrument if they are coming into contact with the rack and are thus preventing you from rack-mounting the instrument. After you have rack-mounted the instrument, re-attach the feet to the rear of the instrument. In this case, be sure to attach the brackets to the instrument before you remove the feet from the rear of the instrument.

If you don't, the instrument's cover may come loose and fall when you rack-mount the instrument.
