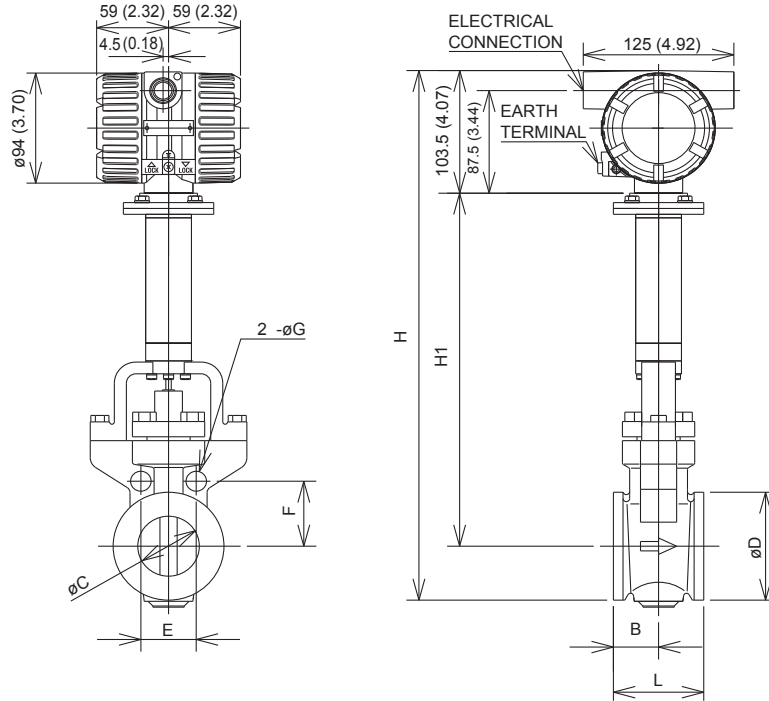


Drawings

digitalYEWFLO Series Vortex Flowmeter High Process Temperature Version (/HT) and Cryogenic Version (/LT)
Remote, Wafer
[DY015, DY025, DY040, DY050, DY80, DY100]

SD 01F06A00-04EN



Unit : mm
(approx. inch)

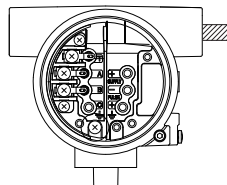
TYPE	REMOTE																				
MODEL CODE	DY015/LT						DY025/LT, DY025/HT						DY040/LT, DY040/HT								
PROCESS CONNECTION	AJ1	AJ2	AJ4	AA1	AA2	AA4	AD1 to AD4	AJ1	AJ2	AJ4	AA1	AA2	AA4	AD1 to AD4	AJ1	AJ2	AJ4	AA1	AA2	AA4	AD1 to AD4
L	70 (2.76)						70 (2.76)						70 (2.76)								
B	35 (1.38)						35 (1.38)						35 (1.38)								
C	14.6 (0.57)						25.7 (1.01)						39.7 (1.56)								
D	35.1 (1.38)						50.8 (2.00)						73 (2.87)								
H	391 (15.39)						401 (15.79)						419 (16.50)								
H1	270 (10.63)						272 (10.71)						279 (10.98)								
E	49.5 (1.95)	49.5 (1.95)	56.6 (2.23)	42.7 (1.68)	47.1 (1.85)	47.1 (1.81)	46 (1.81)	63.6 (2.50)	63.6 (2.50)	67.2 (2.65)	56 (2.20)	62.9 (2.48)	62.9 (2.48)	60.1 (2.37)	74.2 (2.92)	74.2 (2.92)	84.9 (3.34)	69.7 (2.74)	80.8 (3.18)	80.8 (3.18)	77.8 (3.06)
F	24.7 (0.97)	24.7 (0.97)	28.3 (1.11)	21.4 (0.84)	23.5 (0.93)	23 (0.91)	31.8 (1.25)	31.8 (1.25)	33.6 (1.32)	28 (1.10)	31.4 (1.24)	31.4 (1.24)	30.1 (1.19)	37.1 (1.46)	37.1 (1.46)	42.4 (1.67)	34.8 (1.37)	40.4 (1.59)	40.4 (1.59)	38.9 (1.53)	
G	13 (0.51)	13 (0.51)	17 (0.67)	14 (0.55)	14 (0.55)	13 (0.51)	17 (0.67)	17 (0.67)	17 (0.67)	14 (0.55)	17 (0.67)	17 (0.67)	13 (0.51)	17 (0.67)	17 (0.67)	21 (0.83)	14 (0.55)	20 (0.79)	20 (0.79)	17 (0.67)	
WEIGHT kg (lb)	3.2 (7.06)						4.1 (9.04)						4.7 (10.36)								

TYPE	REMOTE																						
MODEL CODE	DY050/LT, DY050/HT						DY080/LT, DY080/HT						DY100/LT, DY100/HT										
PROCESS CONNECTION	AJ1	AJ2	AJ4	AA1	AA2	AA4	AD1 to AD4	AJ1	AJ2	AJ4	AA1	AA2	AA4	AD1 AD2	AD3 AD4	AJ1	AJ2	AJ4	AP1 AA1	AP2 AA2	AP4 AA4	AD1 AD2	AD3 AD4
L	75 (2.95)						100 (3.94)						120 (4.72)										
B	37.5 (1.48)						40 (1.57)						50 (1.97)										
C	51.1 (2.01)						71 (2.80)						93.8 (3.69)										
D	92 (3.62)						127 (5.00)						157.2 (6.19)										
H	450.5 (17.74)						485 (19.09)						515 (20.28)										
H1	301 (11.85)						318 (12.52)						333 (13.11)										
E	(Note 1)	45.9 (1.81)	49.8 (1.96)	(Note 1)	48.6 (1.91)	48.6 (1.91)	(Note 1)	57.4 (2.26)	61.2 (2.41)	65.1 (2.56)	(Note 1)	64.4 (2.54)	64.4 (2.54)	61.2 (2.41)	61.2 (2.41)	67 (2.64)	70.8 (2.79)	78.5 (3.09)	72.9 (2.87)	76.6 (3.02)	82.6 (3.25)	68.9 (2.71)	72.7 (2.86)
F	(Note 1)	55.4 (2.18)	60.1 (2.37)	(Note 1)	58.7 (2.31)	58.7 (2.31)	(Note 1)	69.3 (2.73)	73.9 (2.91)	78.5 (3.09)	(Note 1)	77.7 (3.06)	77.7 (3.06)	73.9 (2.91)	73.9 (2.91)	80.8 (3.18)	85.5 (3.37)	94.7 (3.73)	88 (3.46)	92.5 (3.64)	99.7 (3.93)	83.1 (3.27)	87.8 (3.46)
G	(Note 1)	17 (0.67)	17 (0.67)	(Note 1)	17 (0.67)	17 (0.67)	(Note 1)	17 (0.67)	21 (0.83)	21 (0.83)	(Note 1)	20 (0.79)	20 (0.79)	17 (0.67)	17 (0.67)	17 (0.67)	21 (0.83)	23 (0.91)	17 (0.67)	20 (0.79)	23 (0.91)	17 (0.67)	21 (0.83)
WEIGHT kg (lb)	6.4 (14.11)						9.8 (21.61)						13.2 (29.11)										

(Note 1) The holes are not provided.
(Note 2) The flow direction is opposite (right to left when facing onto indicator) in case of code/CRC.

Terminal Wiring

Remote Type Detector	T	Built-in Temperature Sensor Terminal
	A	Signal Output Terminals
	B	
	C	Common Terminal
	⊕	Grounding Terminal



* Use DYC signal cable for remote type.
* T is used for /MV only.

Remote type