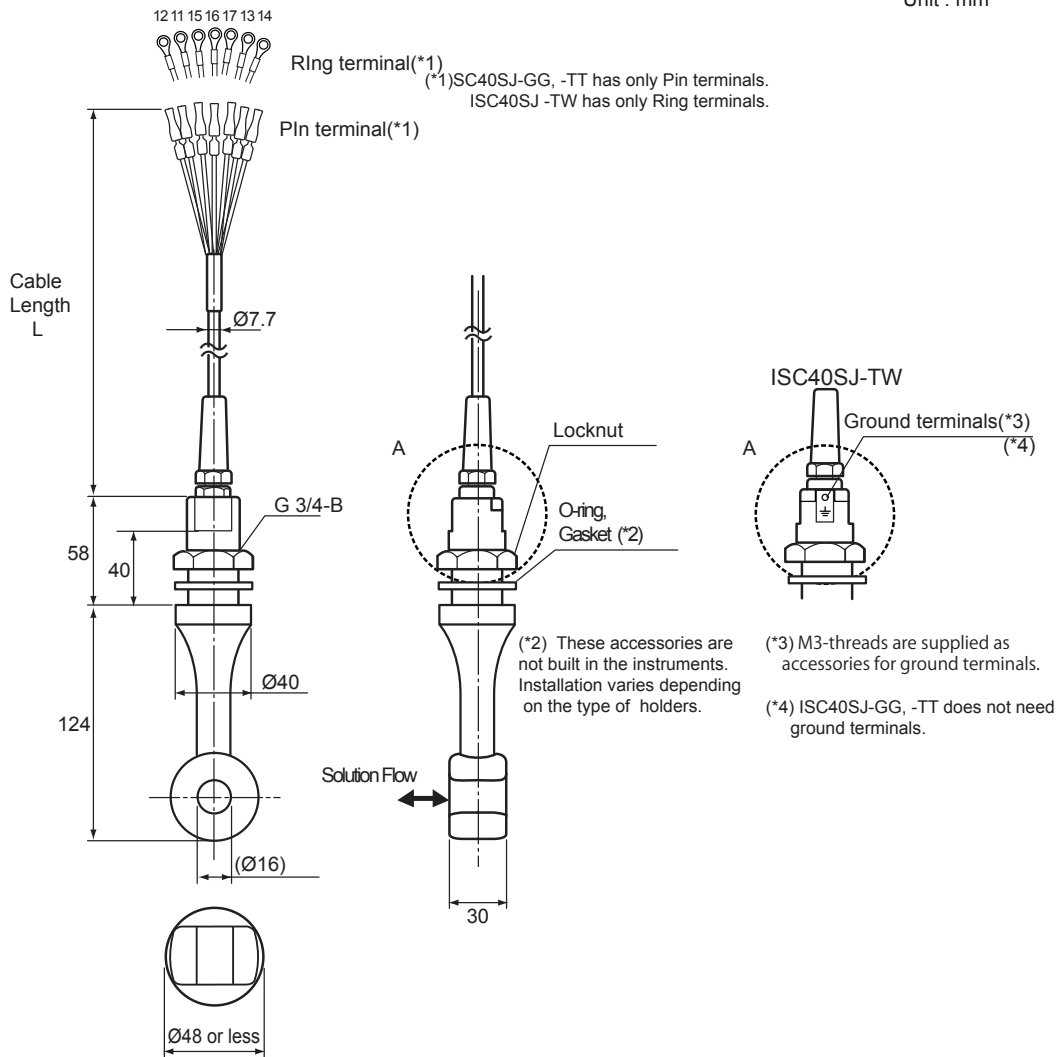


Unit : mm



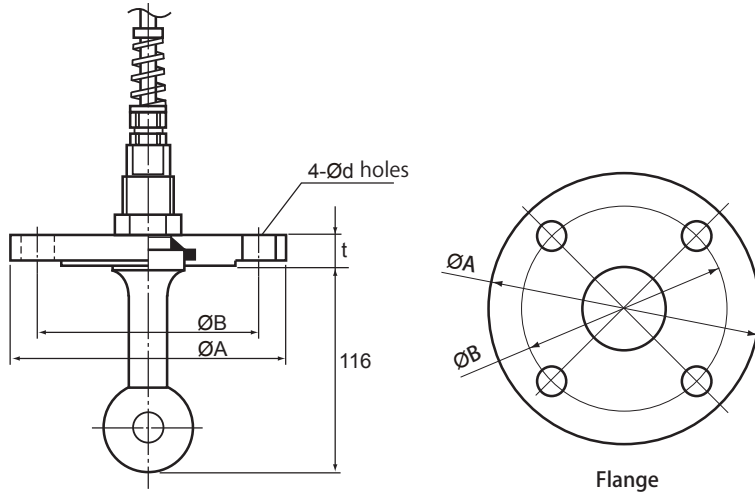
Model and codes	L (mm)	Weight (kg)	Cable end
ISC40GJ-GG-□□-05	5000	Approx. 0.84	B
ISC40GJ-GG-□□-10	10000	Approx. 1.24	B
ISC40GJ-GG-□□-15	15000	Approx. 1.64	B
ISC40GJ-GG-□□-20	20000	Approx. 2.04	B
ISC40GJ-GG-□□-X1	5000	Approx. 0.84	A
ISC40GJ-GG-□□-X2	10000	Approx. 1.24	A
ISC40GJ-GG-□□-X3	15000	Approx. 1.64	A
ISC40GJ-GG-□□-X4	20000	Approx. 2.04	A
ISC40GJ-GG-□□-Y1	5000	Approx. 0.84	A
ISC40GJ-GG-□□-Y2	10000	Approx. 1.24	A
ISC40GJ-GG-□□-Y3	15000	Approx. 1.64	A
ISC40GJ-GG-□□-Y4	20000	Approx. 2.04	A

Model and codes	L (mm)	Weight (kg)	Cable end
ISC40SJ-**-□□-05	5000	Approx. 0.84	B
ISC40SJ-**-□□-10	10000	Approx. 1.24	B
ISC40SJ-**-□□-15	15000	Approx. 1.64	B
ISC40SJ-**-□□-20	20000	Approx. 2.04	B
ISC40SJ-TW-□□-X1	5000	Approx. 0.84	A
ISC40SJ-TW-□□-X2	10000	Approx. 1.24	A
ISC40SJ-TW-□□-X3	15000	Approx. 1.64	A
ISC40SJ-TW-□□-X4	20000	Approx. 2.04	A

** : GG or TT

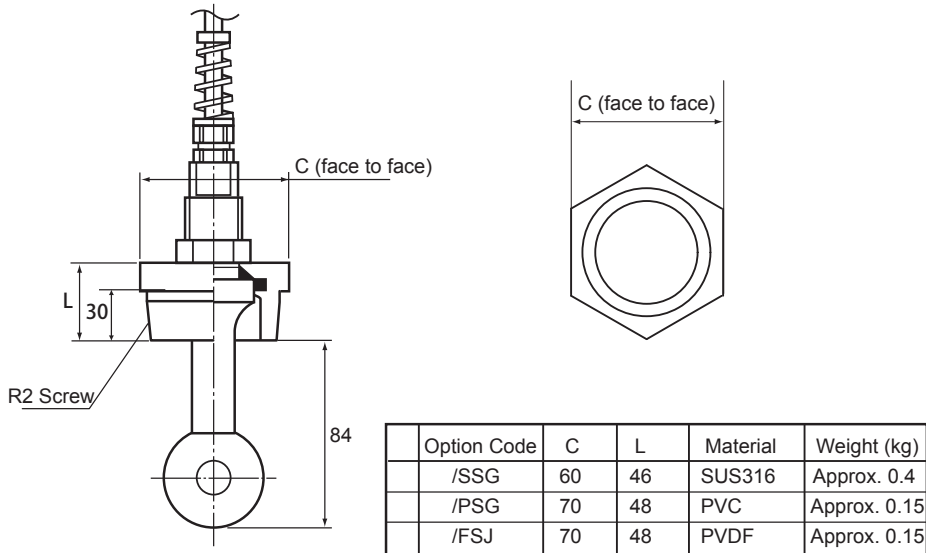
Unless otherwise specified, differences in the dimensions are specified as: General tolerance = ±(Criteria of tolerance class IT18 in JIS B0401-1998)/2.

Flange adapter



Option Code	A	B	d	t	Material	Flange Rating	Weight (kg)
/ SFJ	155	120	19	16	SUS316	JIS 10K 50 RF	Approx. 1.9
/ PFJ	155	120	19	20	PVC	JIS 10K 50 FF	Approx. 0.5
/ FFJ5	155	120	19	20	PVDF	JIS 10K 50 FF	Approx. 0.5
/ SFD	165	125	18	18	SUS316	DIN PN16 DN50	Approx. 2.7
/ SFA	152.4	120.6	19	19	SUS316	ANSI Class150 2	Approx. 3.0

Screw-in adapter



Option Code	C	L	Material	Weight (kg)
/SSG	60	46	SUS316	Approx. 0.4
/PSG	70	48	PVC	Approx. 0.15
/FSJ	70	48	PVDF	Approx. 0.15