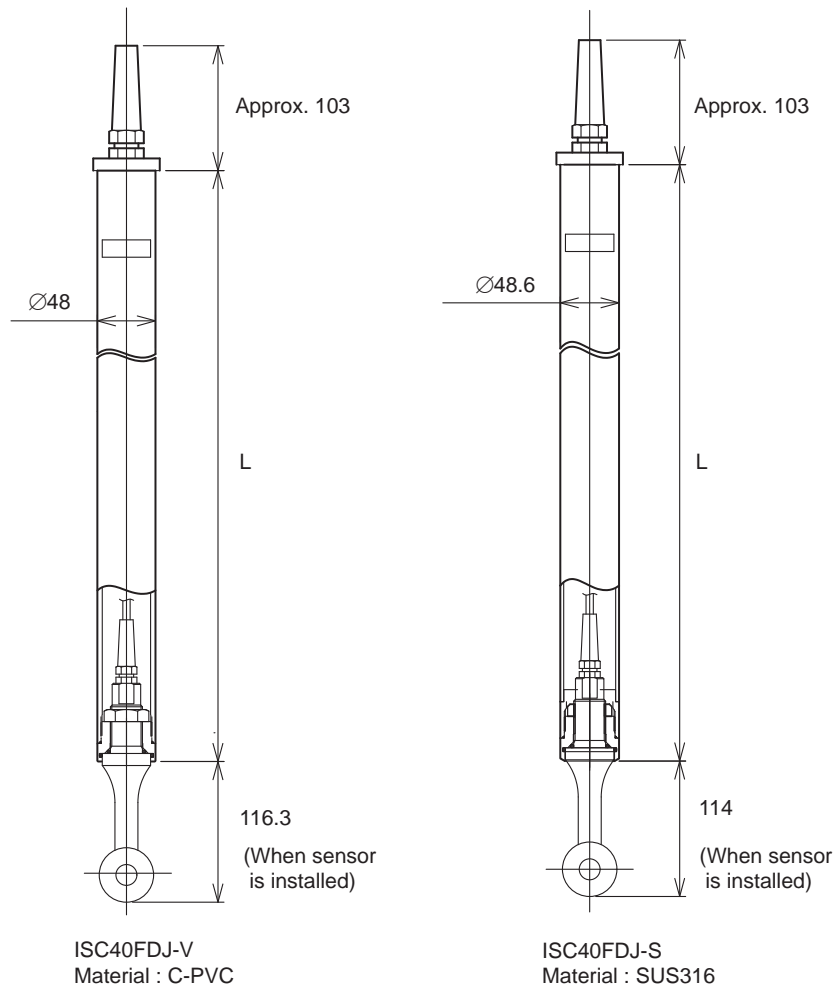


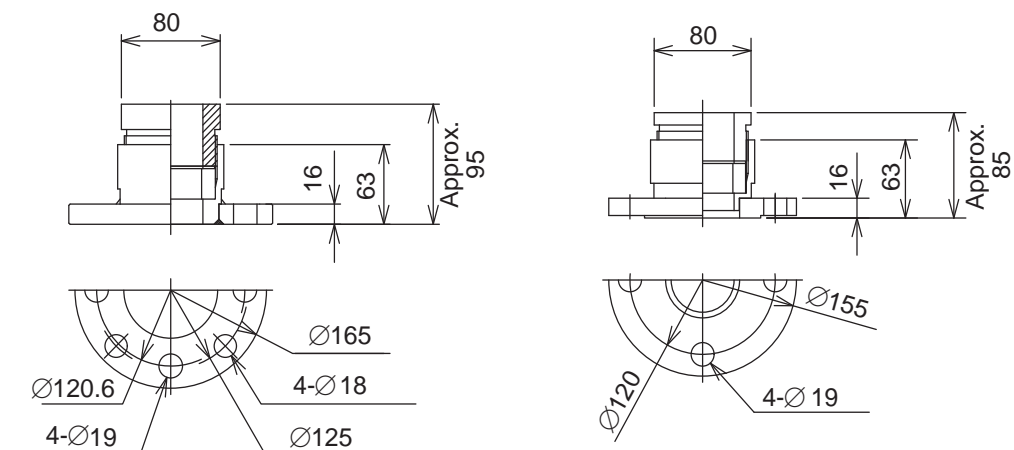
## Model ISC40FDJ Immersion Type Holder for Inductive Conductivity System

Unit : mm



Model code	L	Weight (kg)
ISC40FDJ-V-10	1000	Approx. 0.9
ISC40FDJ-V-15	1500	Approx. 1.3
ISC40FDJ-V-20	2000	Approx. 1.7
ISC40FDJ-S-10	1000	Approx. 3.6
ISC40FDJ-S-15	1500	Approx. 5.2
ISC40FDJ-S-20	2000	Approx. 6.8

Unless otherwise specified, differences in the dimensions are specified as : General tolerance=±(Criteria of tolerance class IT18 in JIS B0401)/2.



□ Option Code : /FA

DIN PN10 DN50 (Note)  
 (ANSI Class 150 2 equ.)  
 Material : PP

Weight : Approx. 0.6 kg

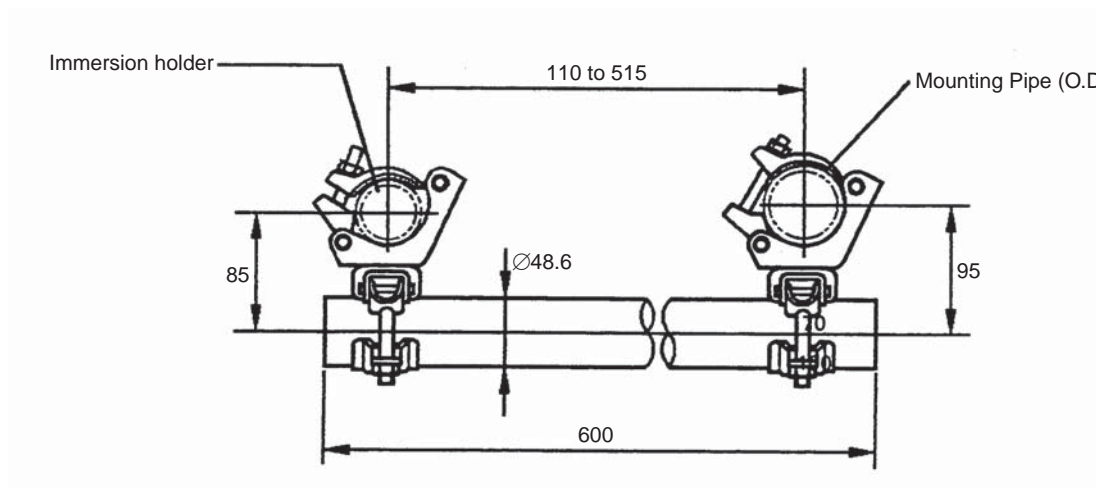
□ Option Code : /FBJ

JIS 10K 50 RF (Note)  
 Material : SUS316

Weight : Approx. 4.2 kg

(Note) Only mating dimensions are according to flange standards.

Fixing Flange (Option)



Mounting set (Option code: /MS1; 1 set, /MS2; 2 set)

Weight : Approx. 3.8 kg (Option code /MS1)

Unless otherwise specified, differences in the dimensions are specified as : General tolerance=±(Criteria of tolerance class IT18 in JIS B0401)/2.