

# Quick Start Guide for PM2 Gateway to One PM2 Node



This Quick Start Guide describes how to start using the PM2 Gateway and PM2 Node using their default settings to send

- One discrete signal from the Node to the Gateway
- One discrete signal from the Gateway to the Node

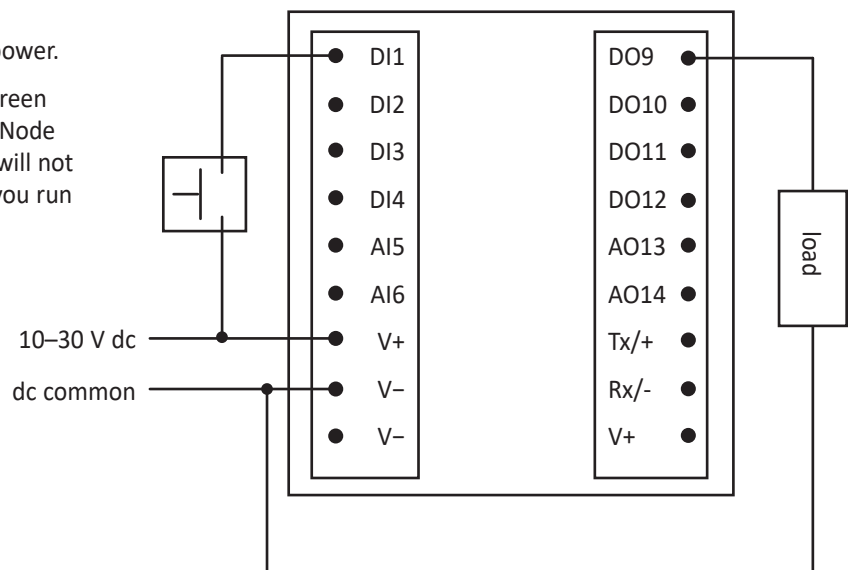
## Step 1: Wire the Node and Gateway

Remove the radio top to access the wiring terminals for the PM2 models. The PM2C model wiring terminals are accessible from outside the device.

1. Wire the discrete input and outputs on the Node and Gateway according to the wiring diagram shown. Both the Node and Gateway have the same wiring board layout.
2. Wire 10–30 V dc power to the V+ terminal.
3. Wire ground/dc common to the V- terminal.

If you removed the top cover, replace it and apply power.

After applying power, the Gateway's LED 1 is solid green and the Node's LED 1 is flashing red to indicate the Node is not communicating with the Gateway. The Node will not begin communicating with the Gateway until after you run the binding procedure.

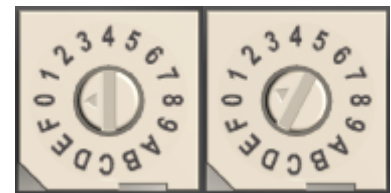
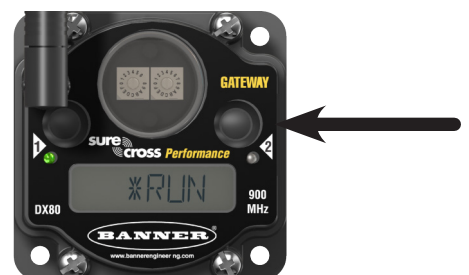


## Step 2: Bind the Node to the Gateway

Binding Nodes to their Gateway ensures the Nodes only exchange data with the Gateway they are bound to. To create your network, bind the Nodes to the Gateway.

1. To enter binding mode on the Gateway, triple-click button 2. The red LEDs flash alternately.
2. To enter binding mode on the Node, triple-click button 2. The red LEDs flash alternately. After the Node is bound, the LEDs are both solid red for a few seconds. The Node cycles its power, then enters RUN mode.
3. Verify the Node's rotary dials are set to 0 (left dial) and 1 (right dial) or the pre-defined mapping will not work.
4. Exit binding mode on the Gateway by single-clicking either button 1 or button 2.

LED 1 is solid green.



## Step 3: Verify radio communication

To verify the Gateway and Nodes are communicating:

- Gateway's LED 1 is solid green.
- Until communication is established with the Gateway, the Node's LED 2 flashes red.
- After communication is established, the Node's LED 1 flashes green.

### Step 4: Test the configuration

By default (MAP 1N map), inputs on the Node control outputs on the Gateway and inputs on the Gateway control outputs on the Node, as shown in the mapping diagram. Set the rotary dials of Node 1 to 01, Node 2 to 02, Node 3 to 03, through Node 7 set to 07.

#### I/O Mapping from Gateway to Node 1

Gateway Inputs		Node 1 Outputs
Discrete IN 1	→	Discrete OUT 9
Discrete IN 2	→	Discrete OUT 10
Discrete IN 3	→	Discrete OUT 11
Discrete IN 4	→	Discrete OUT 12
Analog IN 5	→	Analog OUT 13
Analog IN 6	→	Analog OUT 14

#### I/O Mapping from Node 1 to Gateway

Node 1 Inputs		Gateway Outputs
Discrete IN 1	→	Discrete OUT 9
Discrete IN 2	→	Discrete OUT 10
Discrete IN 3	→	Discrete OUT 11
Discrete IN 4	→	Discrete OUT 12
Analog IN 5	→	Analog OUT 13
Analog IN 6	→	Analog OUT 14

In another commonly used mapping configuration, defined as the MAP 2N map, the Gateway’s inputs are split between the outputs of Node 1 and Node 2, and inputs from each Node are mapped to the Gateway’s outputs.

#### I/O Mapping from Gateway to Two Nodes

Gateway Inputs		Node 1 Outputs	Node 2 Outputs
Discrete IN 1	→	Discrete OUT 9	
Discrete IN 2	→	Discrete OUT 10	
Discrete IN 3	→		Discrete OUT 9
Discrete IN 4	→		Discrete OUT 10
Analog IN 5	→	Analog OUT 13	
Analog IN 6	→		Analog OUT 13

#### I/O Mapping from Two Nodes to Gateway

Node 1 Inputs	Node 2 Inputs		Gateway Outputs
Discrete IN 1		→	Discrete OUT 9
Discrete IN 2		→	Discrete OUT 10
	Discrete IN 1	→	Discrete OUT 11
	Discrete IN 2	→	Discrete OUT 12
Analog IN 5		→	Analog OUT 13
	Analog IN 5	→	Analog OUT 14

The next I/O mapping option, MAP 1R, uses the Gateway as a repeater and maps Node 1’s inputs to Node 7’s outputs, and Node 7’s inputs to Node 1’s outputs.

#### I/O Mapping from Node 1 to Node 7

Node 1 Inputs		Node 7 Outputs
Discrete IN 1	→	Discrete OUT 9
Discrete IN 2	→	Discrete OUT 10
Discrete IN 3	→	Discrete OUT 11
Discrete IN 4	→	Discrete OUT 12
Analog IN 5	→	Analog OUT 13
Analog IN 6	→	Analog OUT 14

#### I/O Mapping from Node 7 to Node 1

Node 7 Inputs		Node 1 Outputs
Discrete IN 1	→	Discrete OUT 9
Discrete IN 2	→	Discrete OUT 10
Discrete IN 3	→	Discrete OUT 11
Discrete IN 4	→	Discrete OUT 12
Analog IN 5	→	Analog OUT 13
Analog IN 6	→	Analog OUT 14

### Step 5: Use the devices in your application

Wire the discrete inputs and outputs into your application. Refer to the Node and Gateway datasheets for additional information about how to wire analog and other types of discrete I/O.

The Gateway can support up to three Nodes with the pre-mapped configurations available. The Gateway’s datasheet lists all possible configurations.