

Features

- Ideal for oil and gas control panel applications
- Drop-in replacement design - compatible with most existing applications which eliminates the need to modify existing designs
- NACE compliant
- Corrosion resistant - 316L Stainless Steel valve materials make it ideal for offshore and harsh environments
- Extensive manual and pneumatic options including Main Supply Reset versions
- Rated for air and natural gas
- For hydraulic application, please consult ASCO



Construction

Valve Parts in Contact with Fluids	
Body	316L Stainless Steel
Spring	Ni-Co Alloy
Seals	FKM
Spool	316L Stainless Steel

Nominal Ambient Temperature Range

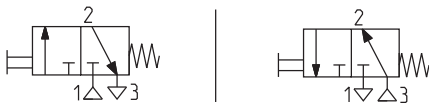
-10°F to 200°F (-23°C to 95°C)

Refer to Engineering Section for details.

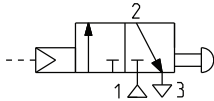
SPECIAL SERVICE PILOT

Manually Operated

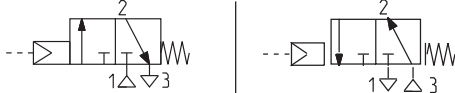
Button (guarded/unguarded)/Spring Return



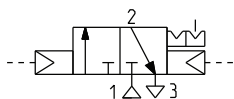
Palm Button with Pilot/Manual Return



Pilot Operated/Spring Return

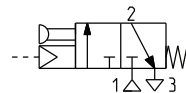


Double Pilot

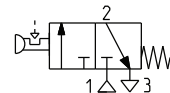


Manual Reset Options - Non Indicating

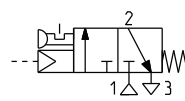
Palm Button with Air Pilot/Spring Return



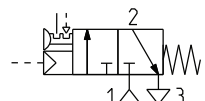
Palm Button with Air Latch Pilot/Spring Return



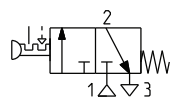
Latching Palm Button with Air Pilot/Spring Return



Latching Palm Button with Remote Air Latch Pilot/Spring Return

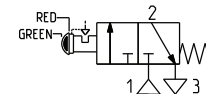


Latching Palm Button with Air Latch Pilot/Spring Return

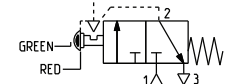


Manual Reset Options - Indicating

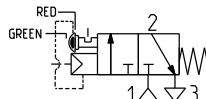
Indicating Palm Button with Air Latch Pilot/Spring Return



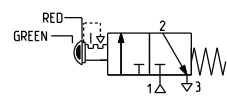
Indicating Palm Button with Air Latch Pilot and Loss of Pressure Trip/Spring Return



Indicating, Latching Palm Button with Air Pilot/Spring Return



Indicating, Latching Palm Button with Air Latch Pilot/Spring Return



Ordering



Function

- 07 Pilot Operated/Spring Return
- 13 Double Pilot
- 16 Button Operated (guarded)/Spring Return
- 17 Button Operated (unguarded)/Spring Return
- 18 Palm Button with Pilot/Manual Return
- 19 Palm Button with Pilot/Spring Return
- 20 Palm Button with Air Latch Pilot/Spring Return
- 21 Latching Palm Button with Pilot/Spring Return
- 22 Latching Palm Button with Remote Air Latch Pilot/Spring Return
- 24 Indicating Palm Button with Air Latch Pilot/Spring Return
- 26 Indicating, Latching Palm Button with Air Latch Pilot/Spring Return
- 27 Indicating, Latching Palm Button with Pilot/Spring Return
- 28 Indicating Palm Button with Air Latch Pilot and Loss of Pressure Trip/Spring Return
- 29 Latching Palm Button with Air Latch Pilot/Spring Return

Construction / Pilot

- 0 Normally Closed / Externally Piloted
- 1 Normally Open / Externally Piloted
- 2 Normally Closed , Closed Center / Externally Piloted
- 7 Detent / Externally Piloted

**SPECIAL SERVICE
PILOT**

Specifications (English units)

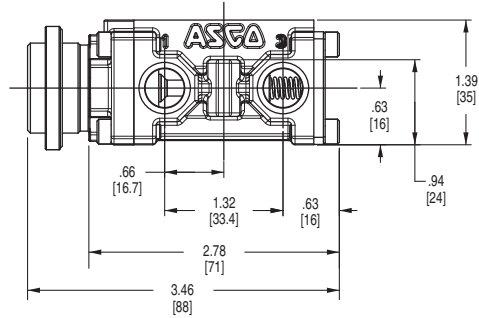
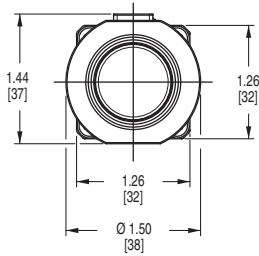
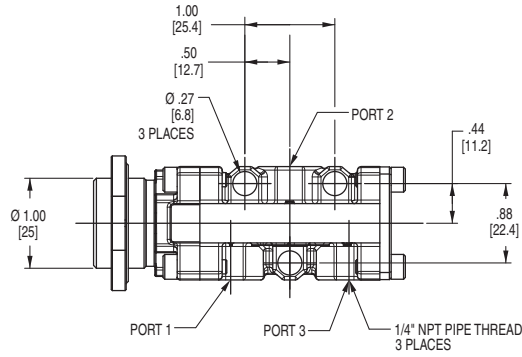
Pipe Size (in)	Cv Flow Factor	Base Catalog Number	Operating Pressure Differential (psi)		External Pilot Pressure (psi)		Max. Fluid Temp. °F	Function	Const. Ref.
			Min	Max	Min	Max			
Normally Open / Externally Piloted									
1/4	1.1	8364A1160011000	0	200	N/A	N/A	200	Button Operated (guarded)/Spring Return	1
1/4	1.1	8364A1170011000	0	200	N/A	N/A	200	Button Operated (unguarded)/Spring Return	2
1/4	1.1	8364A1070011000	0	200	36	200	200	Pilot Operated/Spring Return	3
Normally Closed, Closed Center / Externally Piloted									
1/4	0.8	8364A1160021000	0	200	N/A	N/A	200	Button Operated (guarded)/Spring Return	4
1/4	0.8	8364A1070021000	0	200	36	200	200	Pilot Operated/Spring Return	5
1/4	0.8	8364A1180021000	0	200	15	200	200	Palm Button with Pilot/Manual Return	6
Normally Closed / Externally Piloted									
1/4	1.6	8364A1160001000	0	200	N/A	N/A	200	Button Operated (guarded)/Spring Return	4
1/4	1.6	8364A1170001000	0	200	N/A	N/A	200	Button Operated (unguarded)/Spring Return	7
1/4	1.6	8364A1070001000	0	200	36	200	200	Pilot Operated/Spring Return	5
1/4	1.6	8364A1180001000	0	200	15	200	200	Palm Button with Pilot/Manual Return	6
1/4	1.6	8364A1190001000	0	200	25	200	200	Palm Button with Pilot/Spring Return	6
1/4	1.6	8364A1200001000	0	200	40	200	200	Palm Button with Air Latch Pilot/Spring Return	8
1/4	1.6	8364A1210001000	0	200	25	200	200	Latching Palm Button with Pilot/Spring Return	9
1/4	1.6	8364A1270001000	0	200	25	200	200	Indicating, Latching Palm Button with Pilot/Spring Return	10
1/4	1.6	8364A1240001000	0	200	40	200	200	Indicating Palm Button with Air Latch Pilot/Spring Return	11
1/4	1.6	8364A1290001000	0	200	40	200	200	Latching Palm Button with Air Latch Pilot/Spring Return	12
1/4	1.6	8364A1260001000	0	200	40	200	200	Indicating, Latching Palm Button with Air Latch Pilot/Spring Return	13
1/4	1.6	8364A1280001000	0	75	40	75	200	Indicating Palm Button with Air Latch Pilot and Loss of Pressure Trip/Spring Return	11
1/4	1.6	8364A1220001000	0	200	50	200	200	Latching Palm Button with Remote Air Latch Pilot/Spring Return	14
Detent / Externally Piloted									
1/4	1.6	8364A1130071000	0	200	15	200	200	Double Pilot	15

Specifications (Metric units)

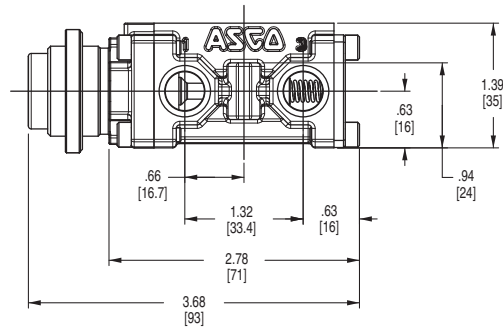
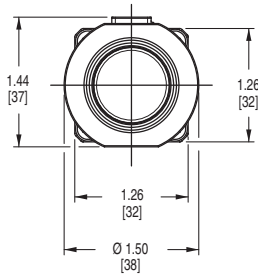
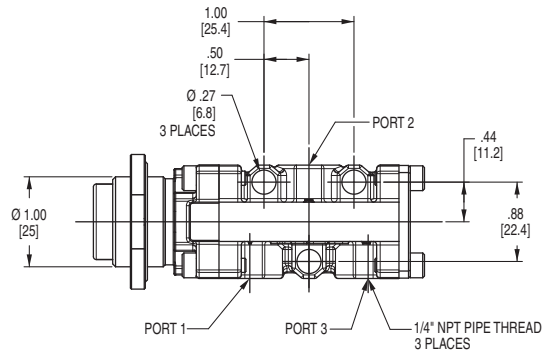
Pipe Size (in)	Kv Flow Factor (m ³ /h)	Base Catalog Number	Operating Pressure Differential (bar)		External Pilot Pressure (bar)		Max. Fluid Temp. °C	Function	Const. Ref.
			Min.	Max.	Min.	Max.			
Normally Open / Externally Piloted									
1/4	0.95	8364A1160011000	0	13.8	N/A	N/A	95	Button Operated (guarded)/Spring Return	1
1/4	0.95	8364A1170011000	0	13.8	N/A	N/A	95	Button Operated (unguarded)/Spring Return	2
1/4	0.95	8364A1070011000	0	13.8	2.5	13.8	95	Pilot Operated/Spring Return	3
Normally Closed, Closed Center / Externally Piloted									
1/4	0.71	8364A1160021000	0	13.8	N/A	N/A	95	Button Operated (guarded)/Spring Return	4
1/4	0.71	8364A1070021000	0	13.8	2.5	13.8	95	Pilot Operated/Spring Return	5
1/4	0.71	8364A1180021000	0	13.8	1	13.8	95	Palm Button with Pilot/Manual Return	6
Normally Closed / Externally Piloted									
1/4	1.38	8364A1160001000	0	13.8	N/A	N/A	95	Button Operated (guarded)/Spring Return	4
1/4	1.38	8364A1170001000	0	13.8	N/A	N/A	95	Button Operated (unguarded)/Spring Return	7
1/4	1.38	8364A1070001000	0	13.8	2.5	13.8	95	Pilot Operated/Spring Return	5
1/4	1.38	8364A1180001000	0	13.8	1	13.8	95	Palm Button with Pilot/Manual Return	6
1/4	1.38	8364A1190001000	0	13.8	1.7	13.8	95	Palm Button with Pilot/Spring Return	6
1/4	1.38	8364A1200001000	0	13.8	2.8	13.8	95	Palm Button with Air Latch Pilot/Spring Return	8
1/4	1.38	8364A1210001000	0	13.8	1.7	13.8	95	Latching Palm Button with Pilot/Spring Return	9
1/4	1.38	8364A1270001000	0	13.8	1.7	13.8	95	Indicating, Latching Palm Button with Pilot/Spring Return	10
1/4	1.38	8364A1240001000	0	13.8	2.8	13.8	95	Indicating Palm Button with Air Latch Pilot/Spring Return	11
1/4	1.38	8364A1290001000	0	13.8	2.8	13.8	95	Latching Palm Button with Air Latch Pilot/Spring Return	12
1/4	1.38	8364A1260001000	0	13.8	2.8	13.8	95	Indicating, Latching Palm Button with Air Latch Pilot/Spring Return	13
1/4	1.38	8364A1280001000	0	5.2	2.8	5.2	95	Indicating Palm Button with Air Latch Pilot and Loss of Pressure Trip/Spring Return	11
1/4	1.38	8364A1220001000	0	13.8	3.4	13.8	95	Latching Palm Button with Remote Air Latch Pilot/Spring Return	14
Detent / Externally Piloted									
1/4	1.38	8364A1130071000	0	13.8	1.0	13.8	95	Double Pilot	15

Dimensions: inches (mm)

Const. Ref. 1



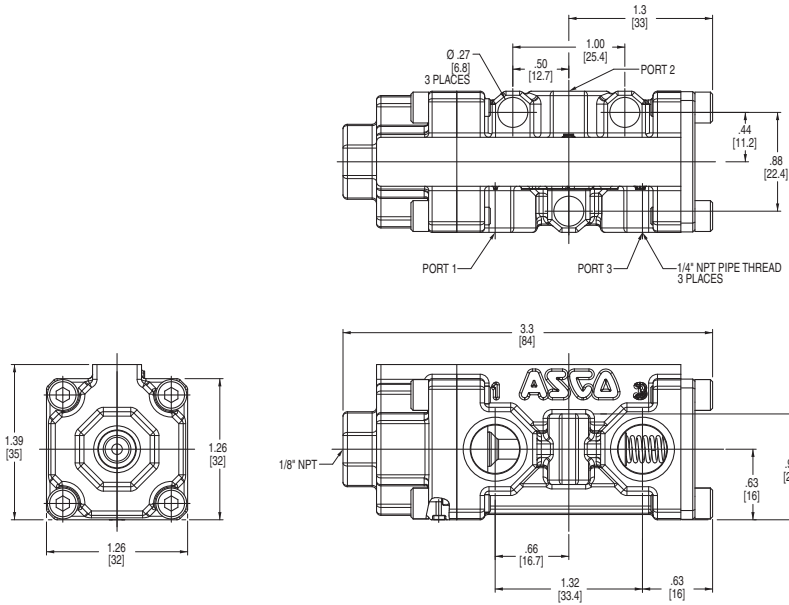
Const. Ref. 2



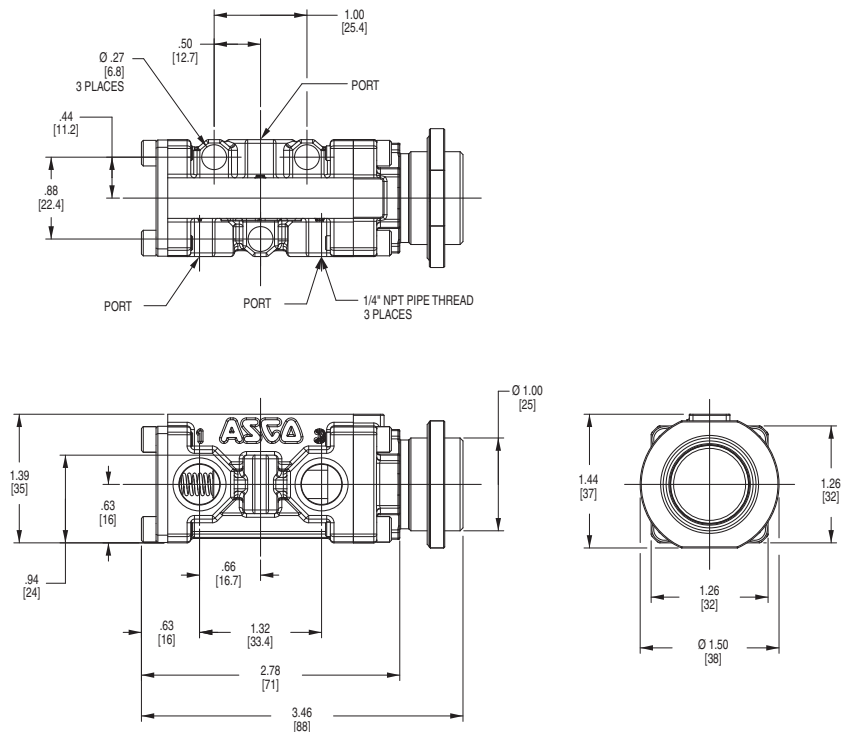
SPECIAL SERVICE
PILOT

Dimensions: inches (mm)

Const. Ref. 3

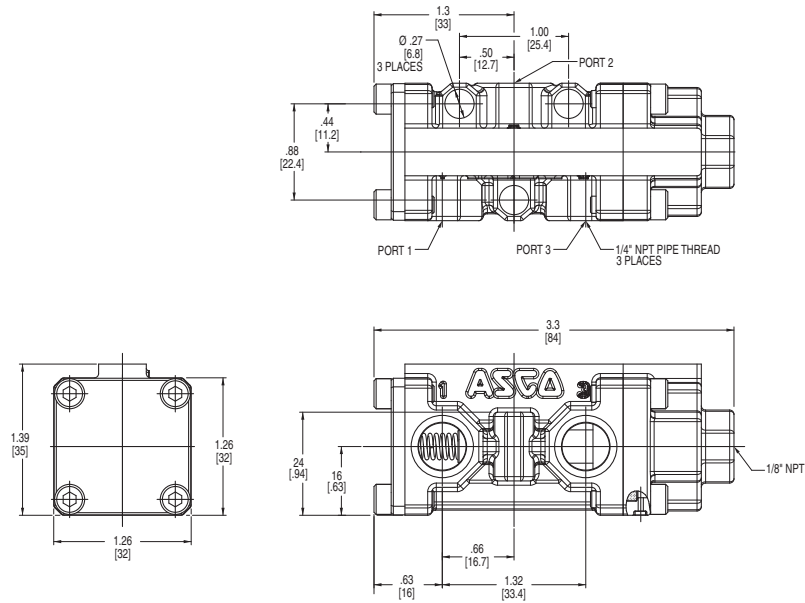


Const. Ref. 4

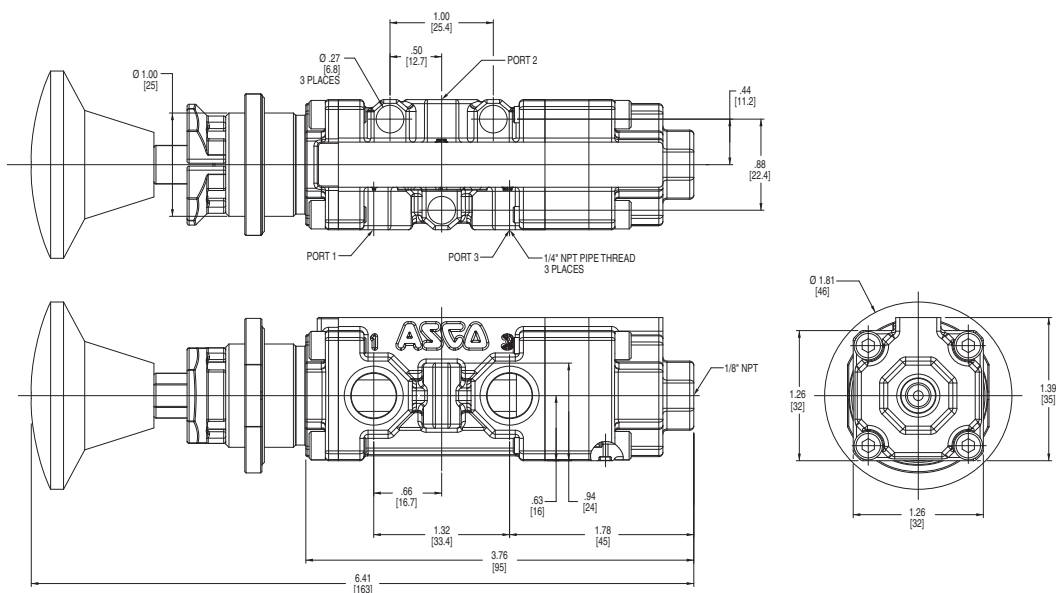


Dimensions: inches (mm)

Const. Ref. 5



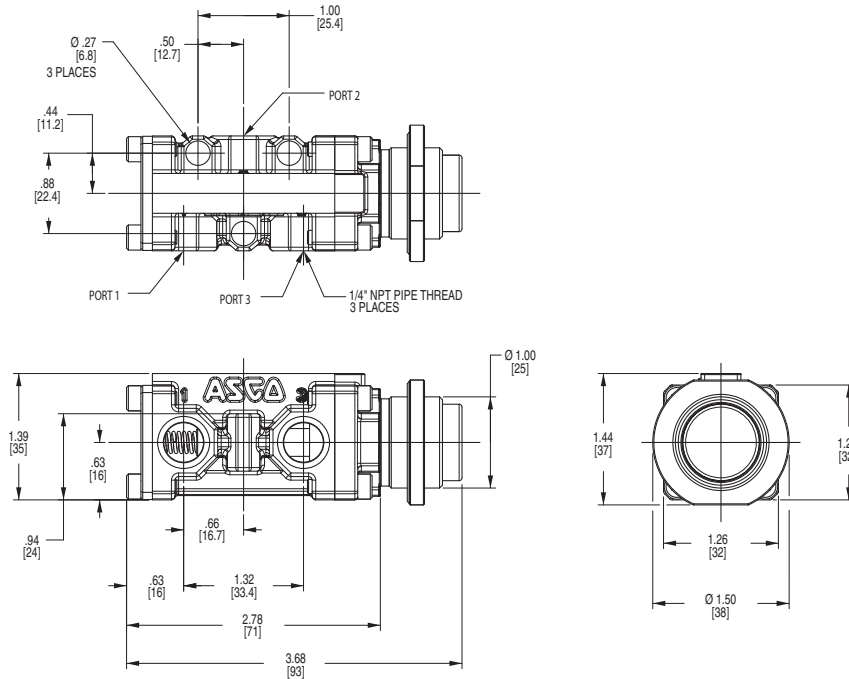
Const. Ref. 6



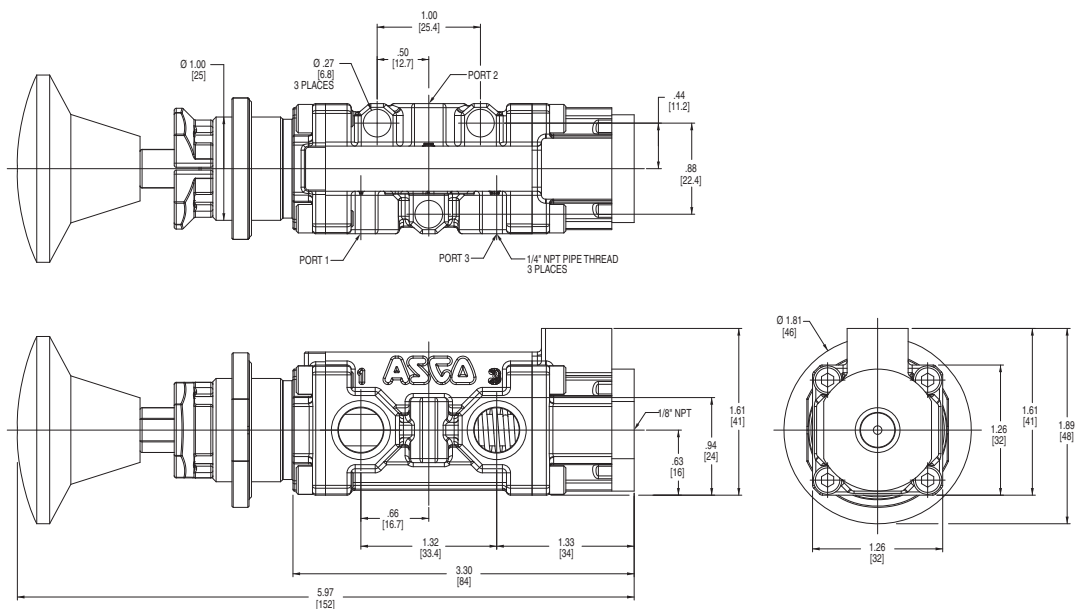
SPECIAL SERVICE
PILOT

Dimensions: inches (mm)

Const. Ref. 7

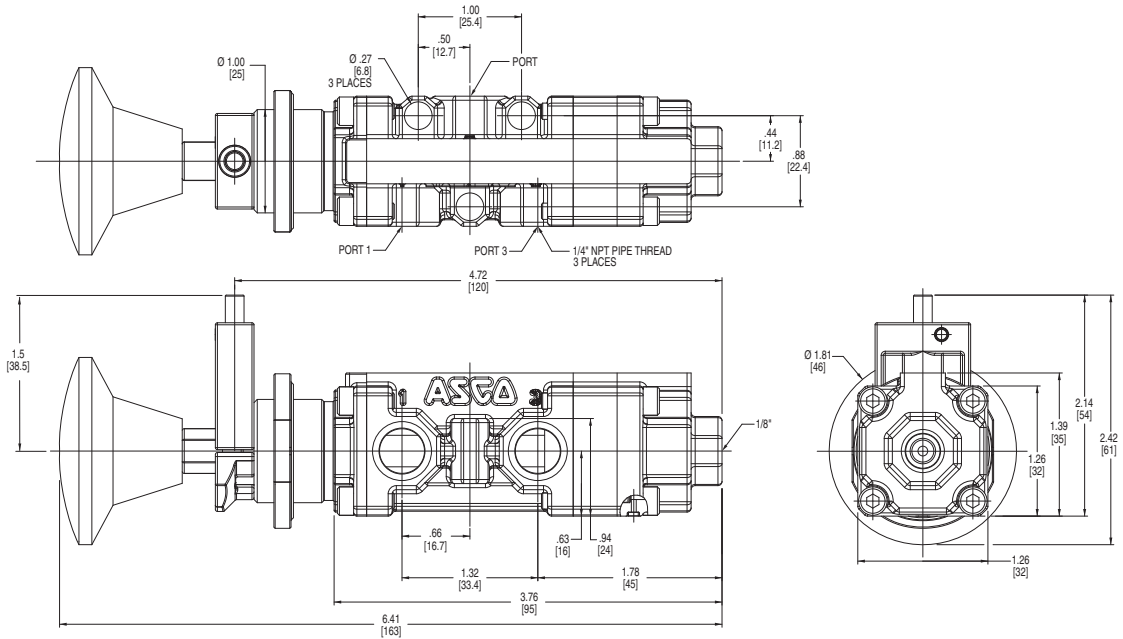


Const. Ref. 8

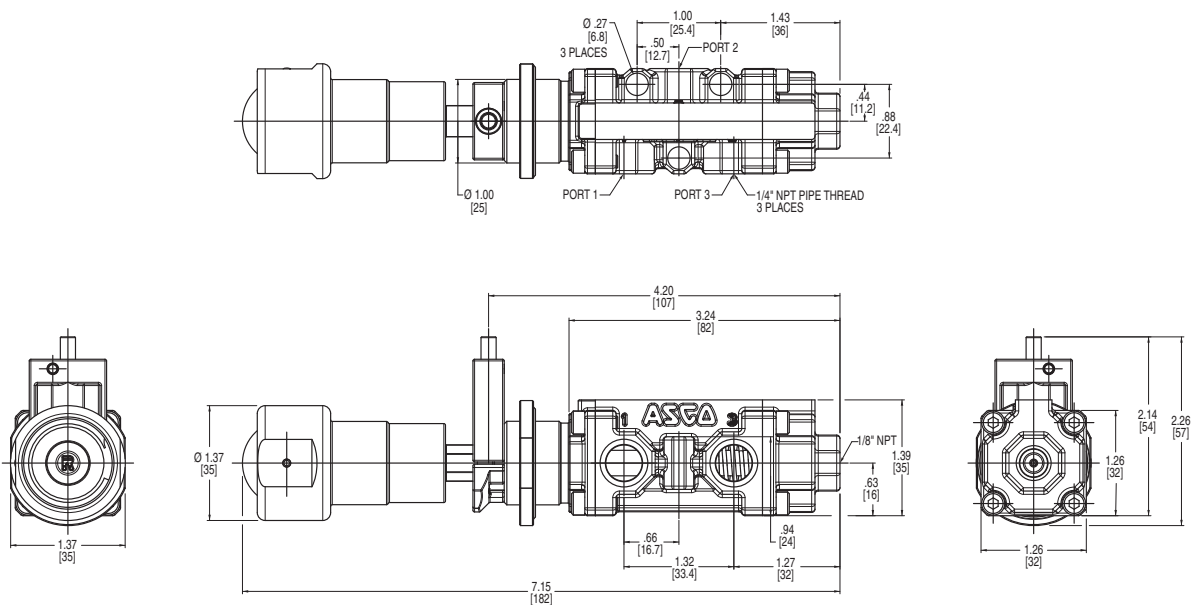


Dimensions: inches (mm)

Const. Ref. 9



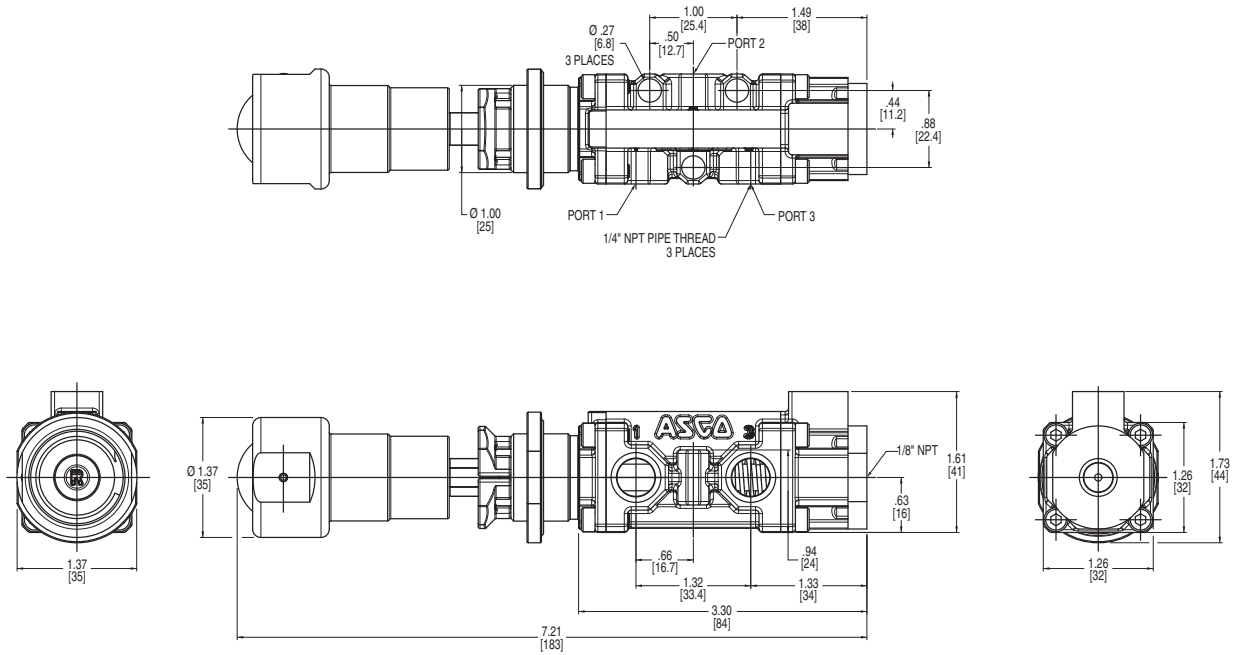
Const. Ref. 10



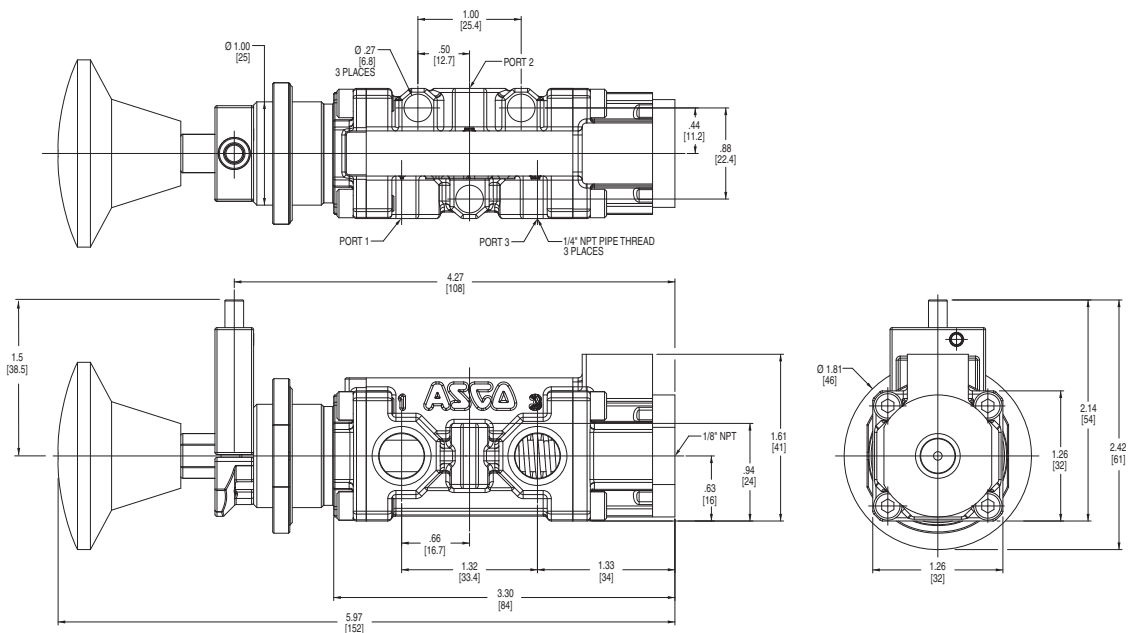
**SPECIAL SERVICE
PILOT**

Dimensions: inches (mm)

Const. Ref. 11

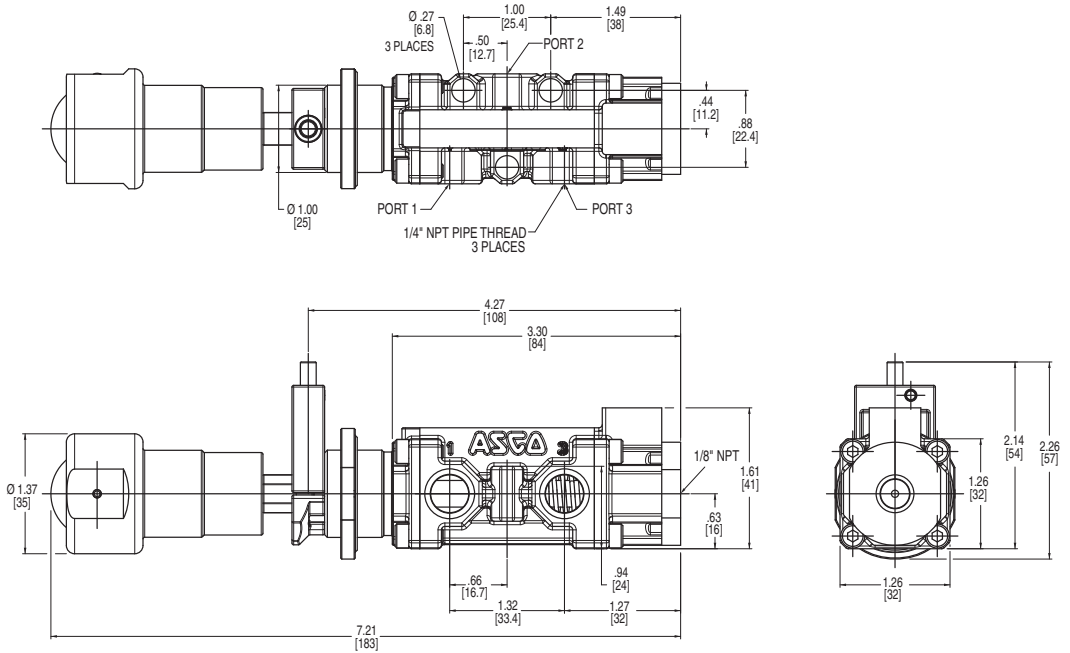


Const. Ref. 12

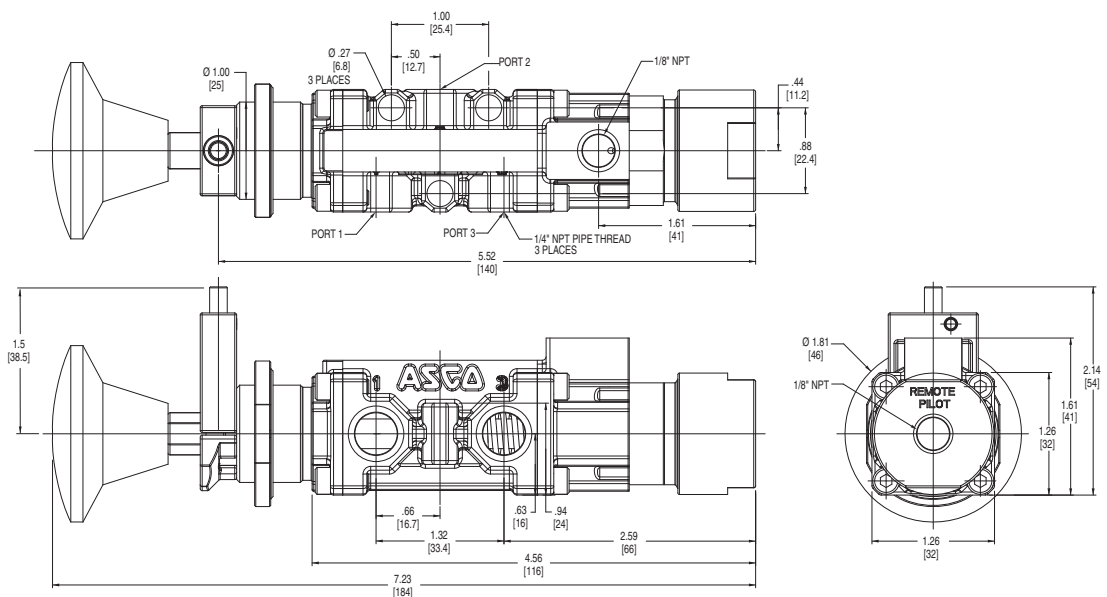


Dimensions: inches (mm)

Const. Ref. 13



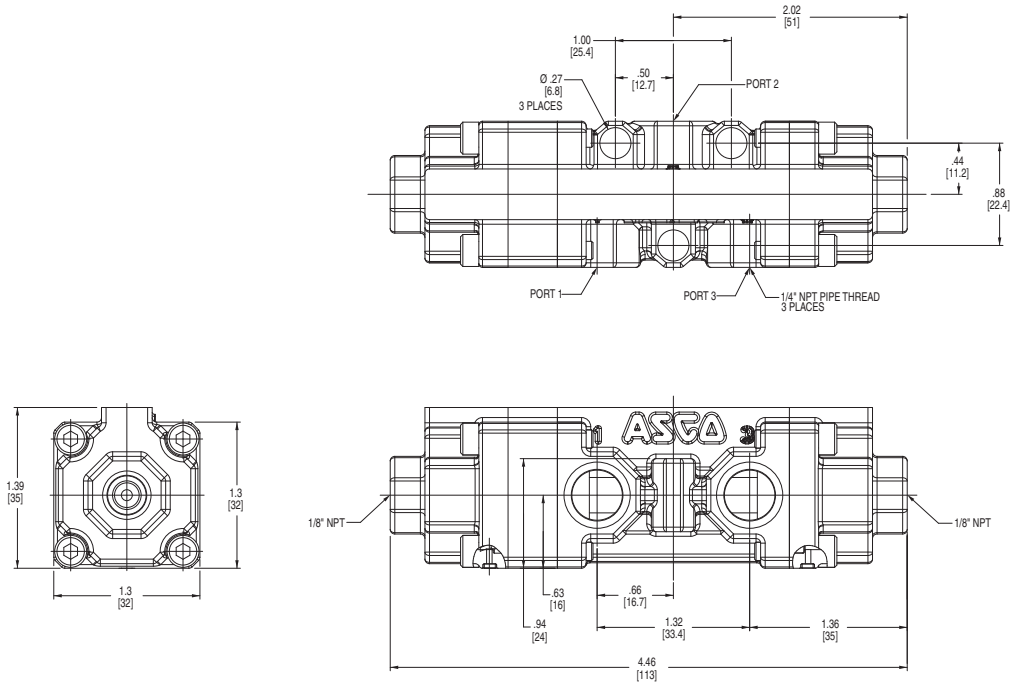
Const. Ref. 14



**SPECIAL SERVICE
PILOT**

Dimensions: inches (mm)

Const. Ref. 15



**SPECIAL SERVICE
PILOT**

