



LFC

Flexible and straightforward point level measurement - the economic solution

LEVEL SENSORS

SICK
Sensor Intelligence.



Technical data overview

Measurement principle	Capacitive level switch
Detection principle	Contact
Medium	Fluids
Measurement	Switch
Process temperature	-20 °C ... +100 °C, +135 °C for max. 1 h
Process pressure	-1 bar ... 25 bar
Accuracy of sensor element	Approx. 1 mm

Product description

The LFC capacitive level switch is a flexible, simple and, above all, cost-effective solution for point level measurement in fluid media. When measuring containers or for dry-run protection in piping, the LFC features particularly high performance thanks to its simple installation, very easy cleaning, compact design and long service life. Due to the EHEDG- and 3-A-certified hygienic design and a process temperature of up to 135 °C, it is also perfectly suited for CIP and SIP applications. The LFC can easily display or blank foam and deposits.

At a glance

- Capacitive level switch based on electrical impedance spectroscopy
- Plug and play: preset to watery media
- Process temperature: -20 °C ... +100 °C (+135 °C for 1 h)
- Process pressure: -1 bar ... 25 bar
- Two digital PNP outputs
- Enclosure ratings IP66, IP67 and IP69
- Ideal for hygienic applications (easy to clean, EHEDG, 3A, EG1935/2004, FDA, CIP- and SIP-capable, hygienic adapter available)

Your benefits

- Maintenance-free point level measurement saves time and money
- Quick, easy and cost-effective installation
- Short cleaning cycles thanks to easy-to-clean sensor design
- Optimal hygienic design minimizes the contamination risk
- Easy plug and play sensor for quick commissioning
- Ideal price-performance ratio: High accuracy at an attractive price

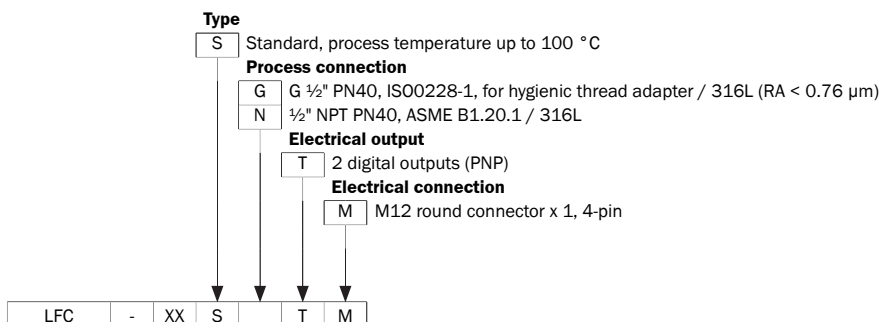
Fields of application

- Empty detection and dry-run protection in piping
- Overfill protection and empty detection in tanks and totes
- Simple capacitive level switch for the food industry

Type code

Other models and accessories → www.sick.com/LFC

Type code



Not all variants of the type code can be combined!

Ordering information

Other models and accessories → www.sick.com/LFC

- **Connection type:** M12 round connector x 1, 4-pin
- **Process temperature:** -20 °C ... +100 °C, +135 °C for max. 1 h
- **Enclosure rating:** IP66 / IP67 and IP69 (NEMA type 6P)

Process connection	Type	Part no.
G ½ A PN25, ISO0228-1, for hygienic thread adapter / 316L (RA < 0.76 µm)	LFC-XXSGTM	6073811
½" NPT PN25, ASME B1.20.1 / 316L	LFC-XXSNTM	6073812

SICK AT A GLANCE

SICK is one of the leading manufacturers of intelligent sensors and sensor solutions for industrial applications. A unique range of products and services creates the perfect basis for controlling processes securely and efficiently, protecting individuals from accidents and preventing damage to the environment.

We have extensive experience in a wide range of industries and understand their processes and requirements. With intelligent sensors, we can deliver exactly what our customers need. In application centers in Europe, Asia and North America, system solutions are tested and optimized in accordance with customer specifications. All this makes us a reliable supplier and development partner.

Comprehensive services complete our offering: SICK LifeTime Services provide support throughout the machine life cycle and ensure safety and productivity.

For us, that is “Sensor Intelligence.”

WORLDWIDE PRESENCE:

Contacts and other locations –www.sick.com