

General Specifications

Model DA1
Distributor

JUXTA

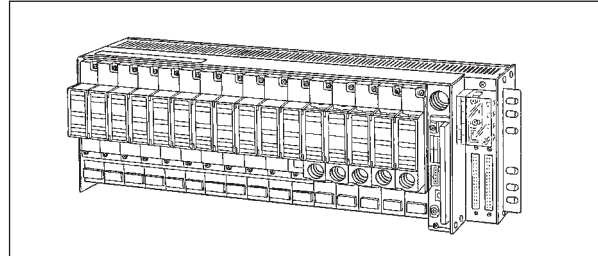
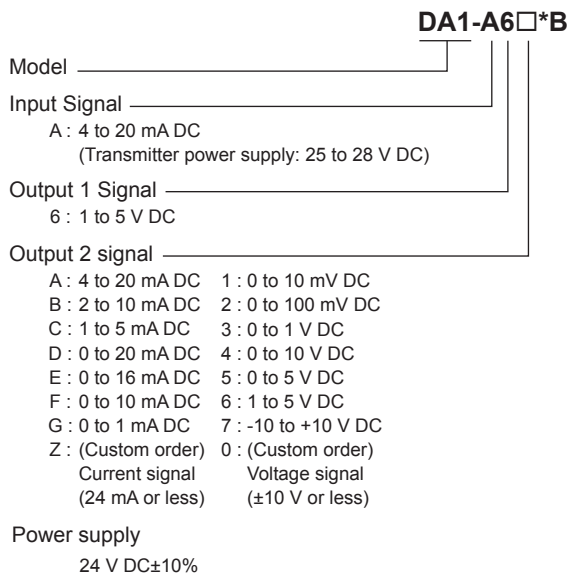
GS 77J05A01-01E

General

The DA1 is a nest-mounting type DCS-supported distributor, is used in combination with a two-wire transmitter, and converts 4 to 20 mA DC signals into isolated DC current or DC voltage signals.

- Available for use with safety barriers.

Model and Suffix Codes



Allowable load resistance:

| DC current output | Allowable load resistance | DC voltage output | Allowable load resistance |
|-------------------|---------------------------|-------------------|---------------------------|
| 4 to 20 mA | 750 Ω or less | 0 to 10 mV | 250 kΩ or more |
| 2 to 10 mA | 1500 Ω or less | 0 to 100 mV | 250 kΩ or more |
| 1 to 5 mA | 3000 Ω or less | 0 to 1 V | 2 kΩ or more |
| 0 to 20 mA | 750 Ω or less | 0 to 10 V | 10 kΩ or more |
| 0 to 16 mA | 900 Ω or less | 0 to 5 V | 2 kΩ or more |
| 0 to 10 mA | 1500 Ω or less | 1 to 5 V | 2 kΩ or more |
| 0 to 1 mA | 15 kΩ or less | -10 to +10 V | 10 kΩ or more |

Zero adjustment: -1 to +1%
 Span adjustment: 95 to 105%

Standard Performance

Accuracy rating:

Output 1: ±0.1% of span

Output 2: Relative error between output 1 and 2 is within ±0.2%.

Accuracy is not guaranteed for output level less than 0.5% of the span of a 0 to X mA output range type.

Response speed: 150 ms, 63% response (10 to 90%)

Insulation resistance: 100 MΩ or more at 500 V DC between input and output, input and power supply, and output and power supply.

Withstand voltage: 1500 V AC/min. between input and (output and power supply.)
 500 V AC/min. between output and power supply.

Environmental Conditions

Operating temperature range: 0 to 50°C

Operating humidity range: 5 to 90% RH (no condensation)

Power supply voltage: 24 V DC±10% (ripple content 5% p-p or less)

Effect of power supply voltage fluctuations: ±0.1% of span or less for fluctuation within the operating range of power supply voltage specification.

Effect of ambient temperature change: ±0.2% of span or less for a temperature change of 10°C.

Current consumption: 24 V DC 110 mA (4 to 20 mA), 80 mA (1 to 5 V)

Ordering Information

Specify the following when ordering.

- Model and suffix codes: e.g. DA1-A6A*B

Input/Output Specifications

Input signal: 4 to 20 mA DC signal from two-wire transmitter

Input resistance: 250 Ω

Maximum allowable input: 40 mA DC

Transmitter power supply: 26.5±1.5 V DC
 (With a current limiting circuit to keep the current between 25 and 35 mA)

Allowable conductor resistance (RL):
 Up to [(20 –transmitter's minimum operating voltage) V/0.02 A] Ω

Output 1 signal: 1 to 5 V DC

Output 2 signal: DC current or DC voltage signal
 (DC current can be outputted from either the front terminals 3-4 or the connector.)

■ Mounting and Dimensions

Mounting method: Nest-mounting (Signals and power supply are connected through back board and connector)

Connection method: Connection to M4 screw terminals of the exclusive nest

External dimensions: 130.6(H)×23.6(W)×126(D) mm

Weight: Approx. 120 g

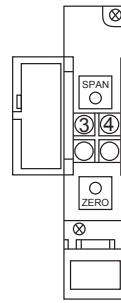
■ Standard Accessories

Tag number label: 1

■ Custom Order Specifications

| | Current signal | Voltage signal |
|-------------------|----------------|----------------|
| Output range (DC) | 0 to 24 mA | -10 to +10 V |
| Span (DC) | 1 to 24 mA | 10 mV to 20 V |
| Zero elevation | 0 to 200% | -100 to +200% |

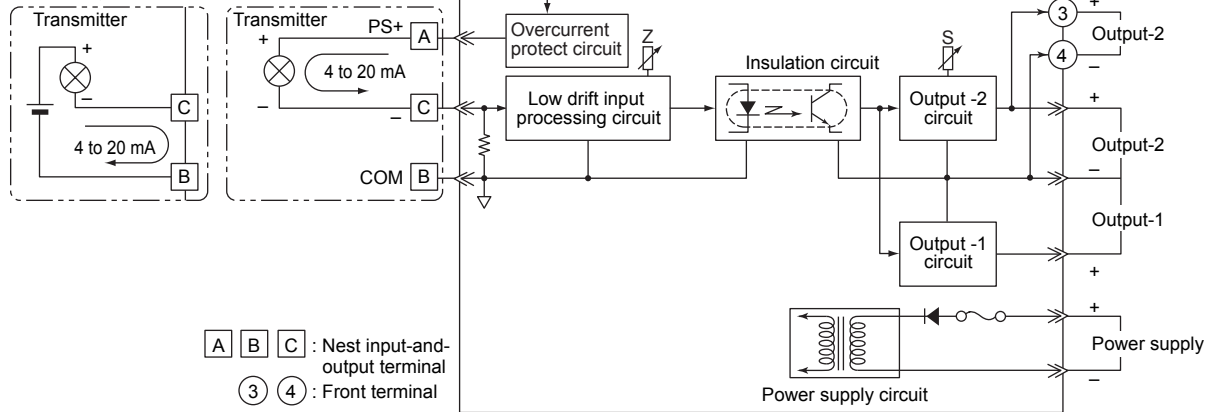
■ Terminal Assignments



| Terminal No. | Signal name |
|--------------|--------------|
| 1 | Do not use |
| 2 | Do not use |
| 3 | Output 2 (+) |
| 4 | Output 2 (-) |

■ Block Diagram

Combination with two-wire transmitter using external power supply



■ External Dimensions

