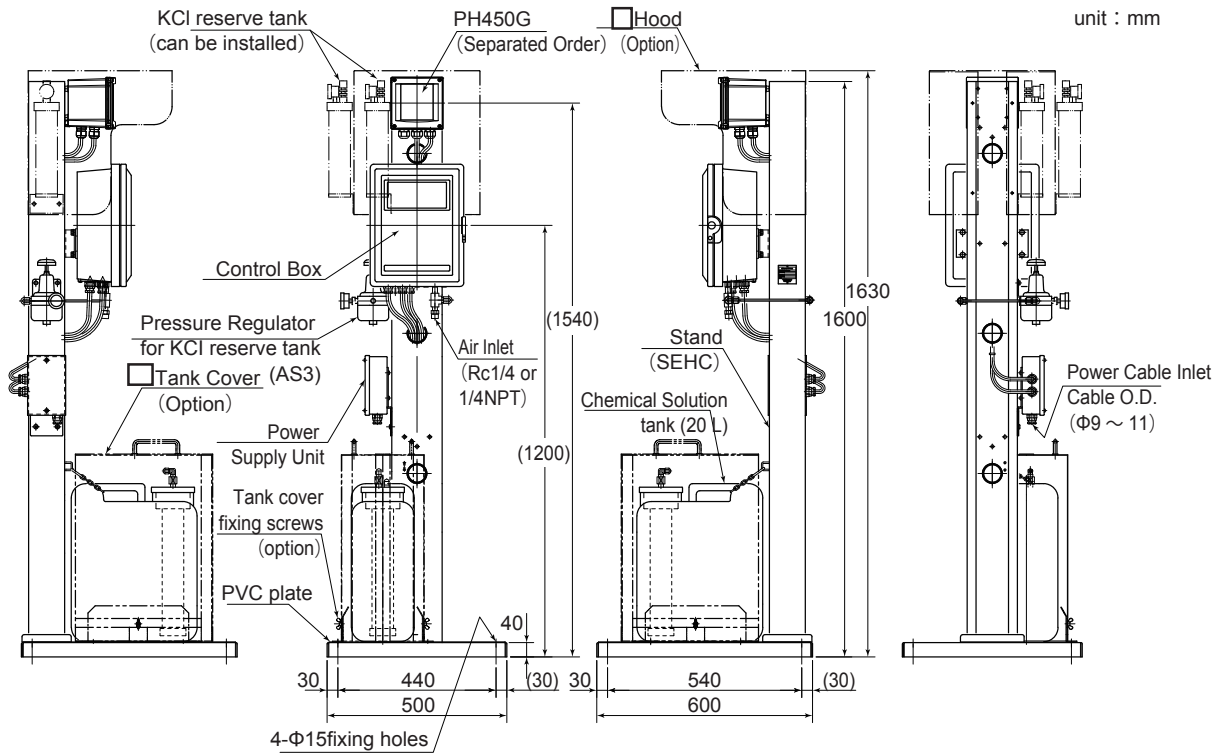
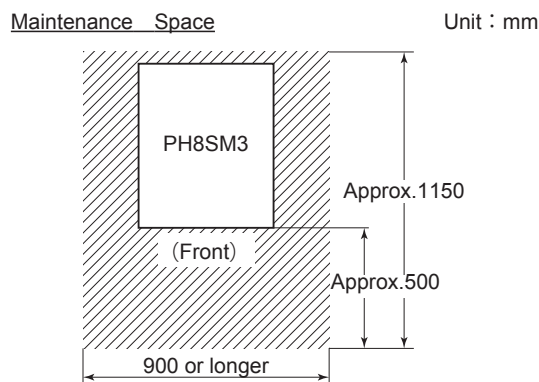


Drawings

Chemical Cleaning pH Measuring System Operating Unit for Chemical Cleaning System PH8SM3-E (PH450G)



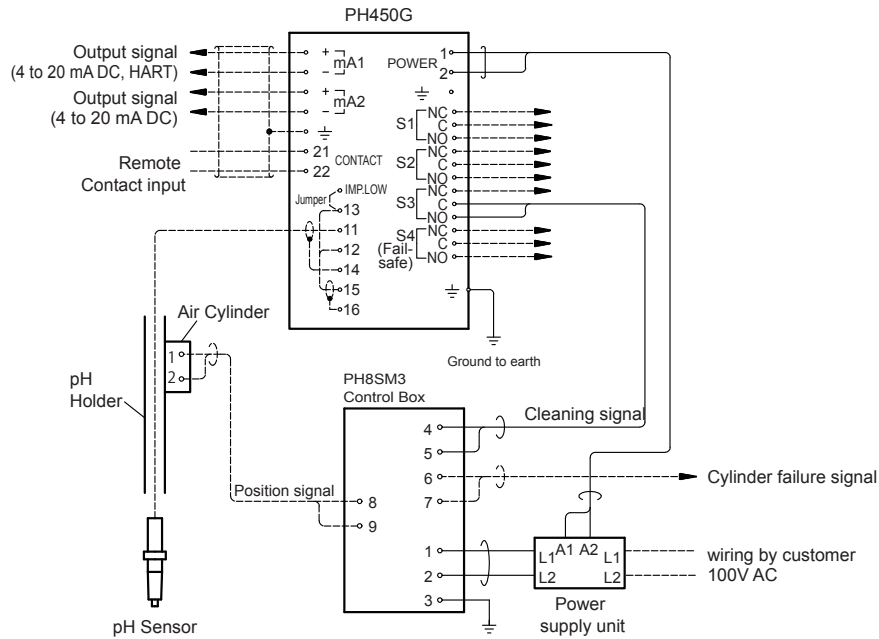
Weight: Approx. 50 kg
(when the tank is empty.)



- (1) The maximum tubes length between the cleaning unit and the sensor holder is 10 m.
- (2) Install the stand at the same level as the sensor holder. If not, you can install the stand a maximum of 2 m below the holder level. Installation above the holder level causes no problem.

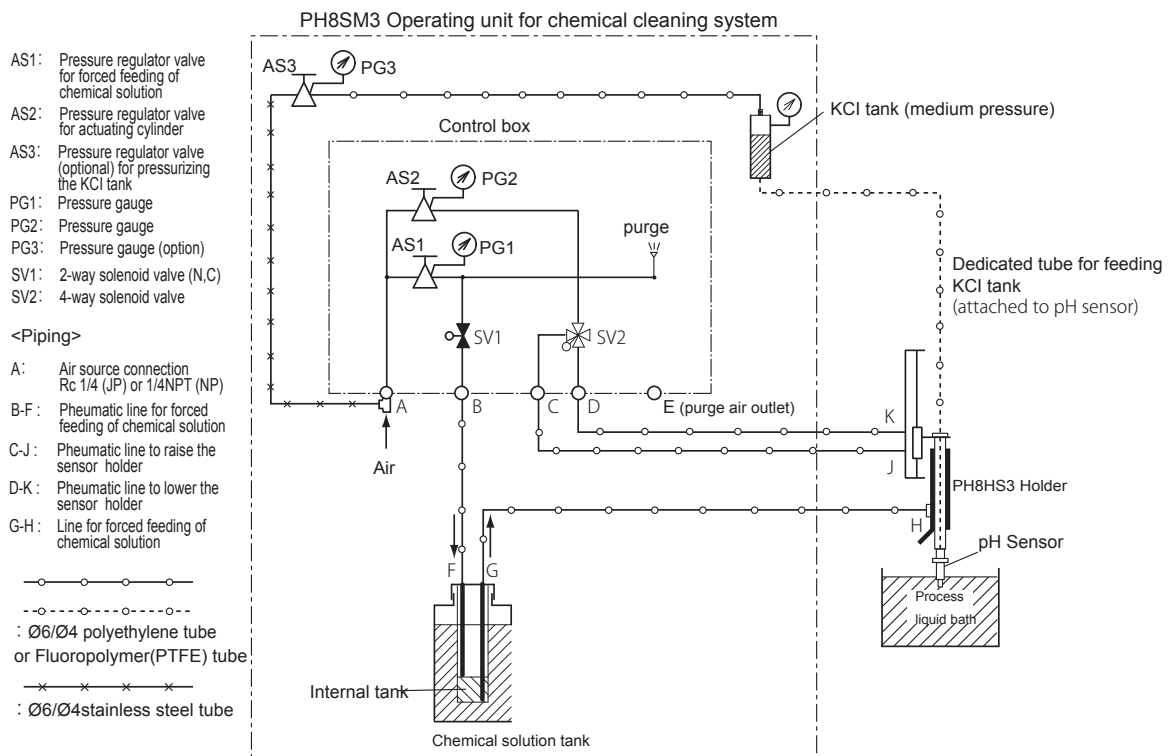
Unless otherwise specified, differences in the dimensions are specified as: General tolerance = \pm (Criteria of tolerance class IT18 in JIS B0401-1998)/2.

Wiring diagram



Electrical connections on the control box : Watertight plastic gland equivalent to JIS A15 (outside diameter : 9 to 12mm)

Piping diagram



<Connection>

A, B, C, D, E: Rc1/4 with Ø6/Ø4 tube joints F, G, H, J, K: Ø6/Ø4 tube joints

F07.ai

Note 1: For the piping between the cleaning unit and the sensor holder, a 40 m tube including joints are provided with the product. Cut the tube to required length for use. The maximum length is 10 m to pipe between the cleaning unit and the sensor.

Note 2: The tubes and joints are made of polyethylene resin or Fluoropolymer (PTFE). They should be replaced approximately once a year, although the intervals may vary depending on the chemicals used.