

Drawings

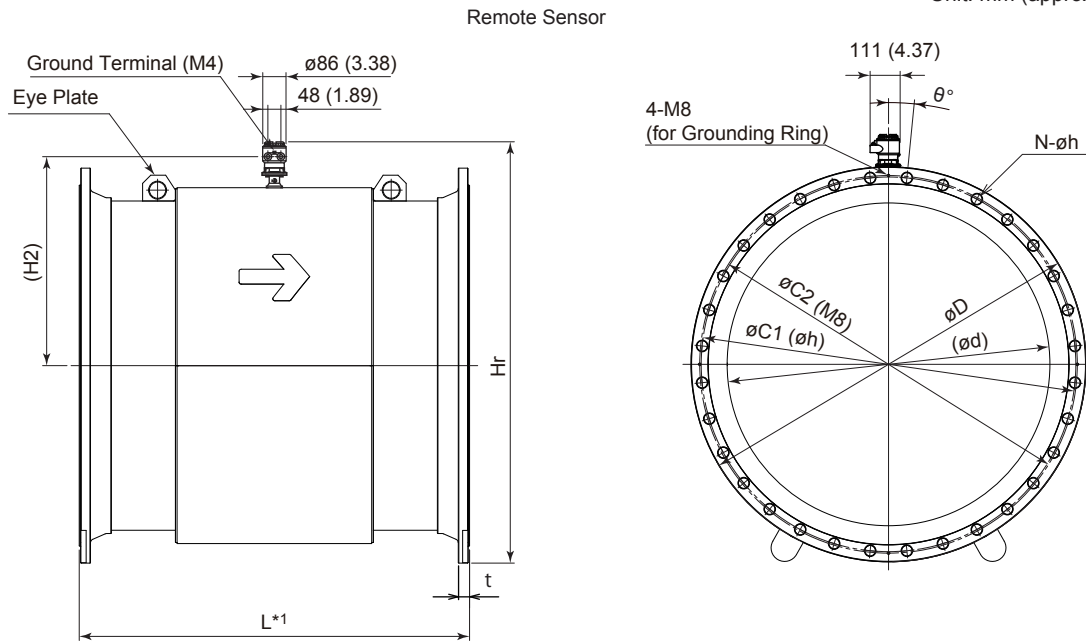
ADMAG TI Series
 AXW Magnetic Flowmeter
 [Size: 1100 to 1800 mm (44 to 72 in.)]
 Flange EN PN6 (Process Connection Code CEJ)



SD 01E25D12-02EN

[Style: S2]

Unit: mm (approx. inch)



*1: The thickness of optional grounding rings (5 mm per one) and customer supplied gaskets are not included in "L" here.

F01.ai

	Direction of Cable Entry			
	Standard (0°)	+90° rotation Optional Code RA	+180° rotation Optional Code RB	-90° rotation Optional Code RC
Remote Sensor	Front side 	Cable Entry 	Back side 	Cable Entry

* The direction of cable entry changes as shown left depending on the designation of the optional code RA, RB, or RC.

Unless otherwise specified, difference in the dimensions are specified as : General tolerance = ± (Criteria of tolerance class IT18 in JIS B0401-1) / 2

Model code:AXW - - CEJN -

Unit: mm (approx. in.)

Process Connection Code		CEJ			
Flange Type		EN1092-1 PN6			
Size Code		12L	14L	16L	18L
Size		1200 (48)	1400 (56)	1600 (64)	1800 (72)
Lining Code		H			
Lay Length L		1440 (56.69)	1680 (66.14)	1920 (75.59)	2160 (85.04)
Flange Outer Diameter ϕ D		1405 (55.31)	1630 (64.17)	1830 (72.05)	2045 (80.51)
Flange Thickness (*1) (incl. lining flare)	Lining H	31.5 (1.24)	35.5 (1.40)	37.5 (1.48)	40.5 (1.59)
Flange Bolt Circle Diameter ϕ C1		1340 (52.76)	1560 (61.42)	1760 (69.29)	1970 (77.56)
Ring Bolt Circle Diameter ϕ C2		1356 (53.39)	1572 (61.89)	1772 (69.76)	1981 (77.99)
Inner Diameter ϕ d	Lining H	1195 (47.05)	1398 (55.04)	1586 (62.44)	1784 (70.24)
Bolt Hole Pitch Half Angle θ		5.6°	5°	4.5°	4.1°
Bolt Hole Diameter ϕ h		33 (1.30)	36 (1.42)	36 (1.42)	39 (1.54)
Number of Bolt Holes N		32	36	40	44
Height H2		763 (30.02)	865 (34.06)	961 (37.83)	1060 (41.73)
Height Hr		1519 (59.78)	1734 (68.25)	1930 (75.96)	2136 (84.09)
Inner Diameter of Eye Plate		60 (2.36)	70 (2.76)	70 (2.76)	80 (3.15)
Remote Sensor, Approx. Weight, Unit: kg (lb) (*2)		620 (1367)	920 (2028)	1310 (2888)	1670 (3682)

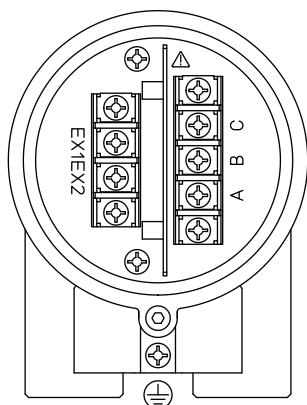
*1: The tolerance of the flange thickness "t" is as follows.

• Size 1200 to 1800 mm (48 to 72 in.): +3/-2 mm (+0.12/-0.08 in.)

*2: When submersible type or optional code DHC is selected, waterproof glands with union joints and cables are attached. When the cable length is 30-meters, add 9.5 kg (20.9 lb) to the weight in the table.

Terminal Configuration and Wiring**Remote Sensor:**

<To be wired to Remote Transmitter>



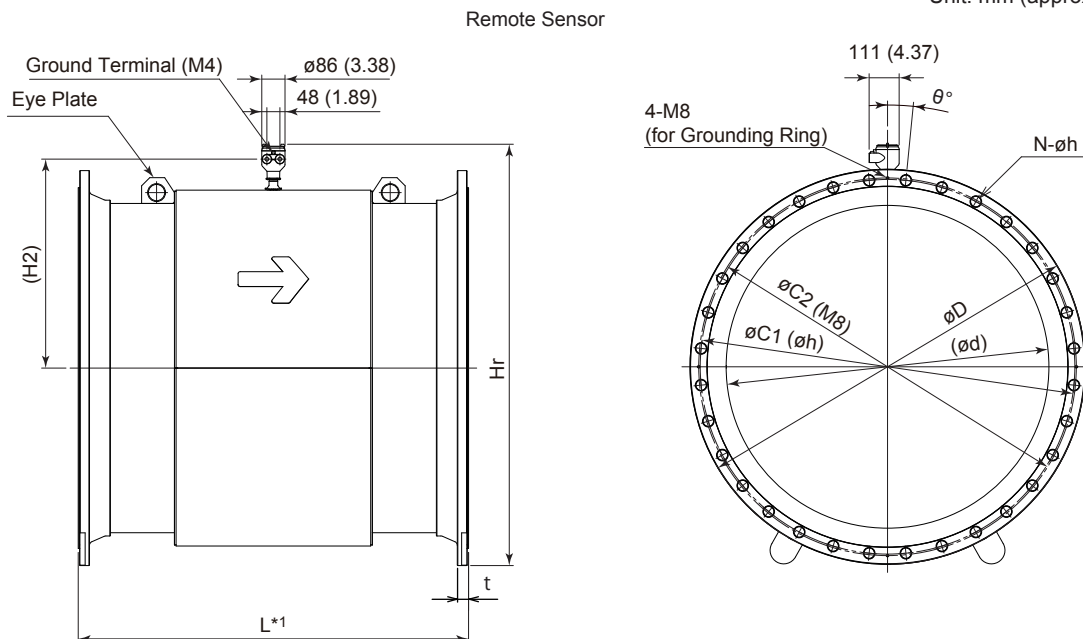
Terminal Symbol	Description
A B C	Flow Signal Output
EX1 EX2	Excitation Current Input
	Protective Grounding (Outside of the terminal box)

F02.ai

Note: When submersible use or optional code DHC is selected, waterproof glands with union joints and cables are attached.

Flange EN PN6 (Process Connection Code CEJ) [Style: S1]

Unit: mm (approx. inch)



*1: The thickness of optional grounding rings (5 mm per one) and customer supplied gaskets are not included in "L" here.

F03.ai

	Direction of Cable Entry			
	Standard (0°)	+90° rotation Optional Code RA	+180° rotation Optional Code RB	-90° rotation Optional Code RC
Remote Sensor	Front Side 	Cable Entry 	Back Side 	Cable Entry

* The direction of cable entry changes as shown left depending on the designation of the optional code RA, RB, or RC.

Unless otherwise specified, difference in the dimensions are specified as : General tolerance = ± (Criteria of tolerance class IT18 in JIS B0401-1) / 2

Model code:AXW - - CEJN -

Unit: mm (approx. in.)

Process Connection Code		CEJ			
Flange Type		EN1092-1 PN6			
Size Code		12L	14L	16L	18L
Size		1200 (48)	1400 (56)	1600 (64)	1800 (72)
Lining Code		H			
Lay Length L		1440 (56.69)	1680 (66.14)	1920 (75.59)	2160 (85.04)
Flange Outer Diameter ϕ D		1405 (55.31)	1630 (64.17)	1830 (72.05)	2045 (80.51)
Flange Bolt Circle Diameter ϕ C1		1340 (52.76)	1560 (61.42)	1760 (69.29)	1970 (77.56)
Flange Thickness (*1) (incl. lining flare)	Lining H	31.5 (1.24)	35.5 (1.40)	37.5 (1.48)	40.5 (1.59)
Ring Bolt Circle Diameter ϕ C2		1356 (53.39)	1572 (61.89)	1772 (69.76)	1981 (77.99)
Inner Diameter ϕ d	Lining H	1195 (47.05)	1398 (55.04)	1586 (62.44)	1784 (70.24)
Bolt Hole Pitch Half Angle θ		5.6°	5°	4.5°	4.1°
Bolt Hole Diameter ϕ h		33 (1.30)	36 (1.42)	36 (1.42)	39 (1.54)
Number of Bolt Holes N		32	36	40	44
Remote Sensor, Height H2		770 (30.31)	873 (34.37)	969 (38.15)	1068 (42.05)
Remote Sensor, Maximum Height Hr		1527 (60.12)	1742 (69.49)	1938 (76.30)	2145 (84.45)
Inner Diameter of Eye Plate		60 (2.36)	70 (2.76)	70 (2.76)	80 (3.15)
Remote Sensor, Approx. Weight, Unit: kg (lb) (*2)		620 (1367)	920 (2028)	1310 (2888)	1670 (3682)

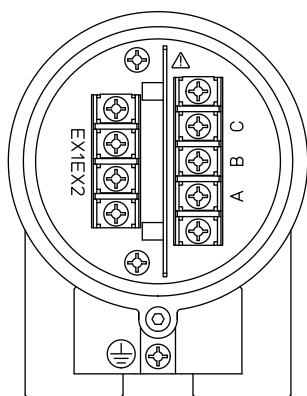
*1: The tolerance of the flange thickness "t" is as follows.

- Size 1200 to 1800 mm (48 to 72 in.): +3/-2 mm (+0.12/-0.08 in.)

*2: When submersible type or optional code DHC is selected, waterproof glands with union joints and cables are attached. When the cable length is 30-meters, add 9.5 kg (20.9 lb) to the weight in the table.

Terminal Configuration and Wiring**Remote Sensor:**

<To be wired to Remote Transmitter>



Terminal Symbol	Description
A B C	Flow Signal Output
EX1 EX2	Excitation Current Input
	Protective Grounding (Outside of the terminal box)

F04.ai

Note: When submersible use or optional code DHC is selected, waterproof glands with union joints and cables are attached.