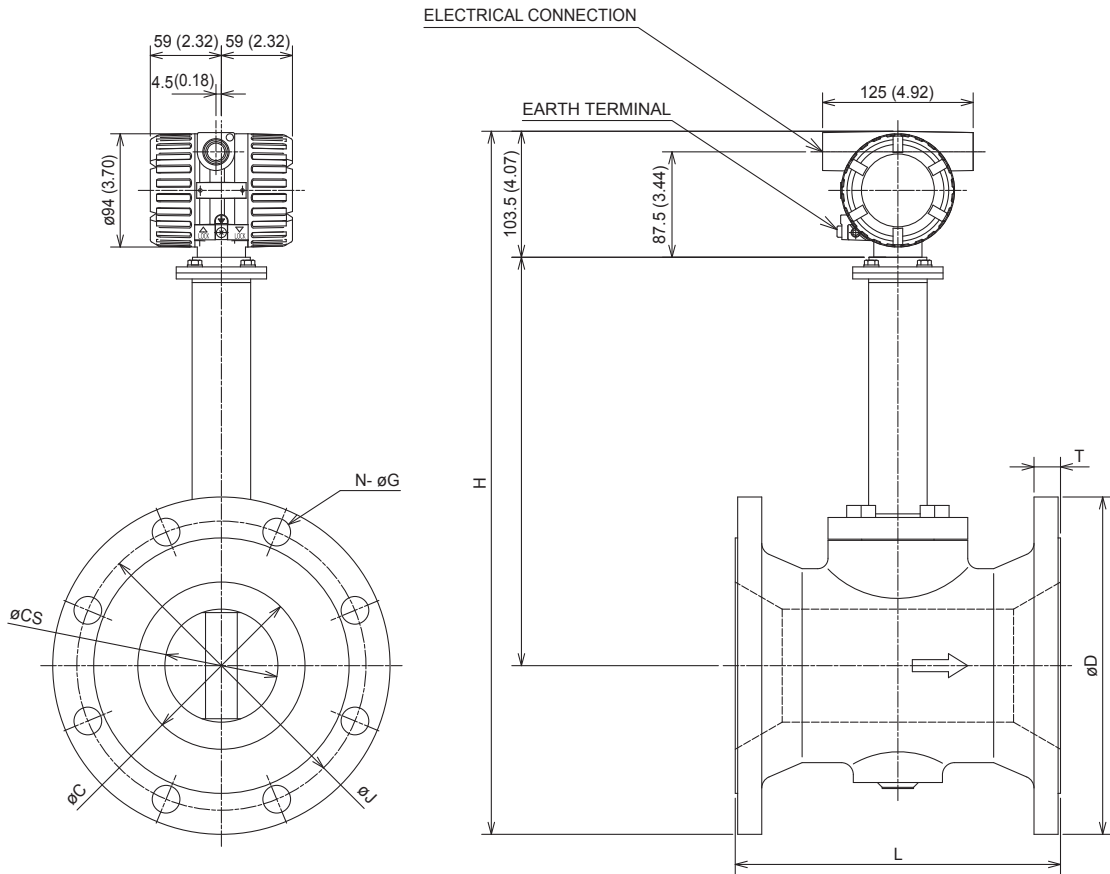


Drawings

digitalYEWFLO Series Vortex Flowmeter High Process Temperature Version (/HT),
 Reduced Bore Type (/R1)
 Remote, Flange
 [DY200]

SD 01F06A00-14EN

Unit : mm
 (approx. inch)



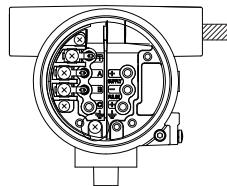
TYPE	REMOTE				
	DY200/HT/R1				
MODEL CODE					
PROCESS CONNECTION	BJ1	BJ2	BA1 BS1	BA2 BS2	
L	310 (12.20)				
C	185.6 (7.31)				
CS	138.8 (5.46)				
D	330 (12.99)	350 (13.78)	342.9 (13.5)	381 (15.0)	
H	Shedder Bar Material: X	607.5 (23.92)	617.5 (24.31)	614 (24.17)	633 (24.92)
	Shedder Bar Material: B	614.5 (24.19)	624.5 (24.59)	621 (24.45)	640 (25.20)
H1	Shedder Bar Material: X	339 (13.35)			
	Shedder Bar Material: B	346 (13.62)			
T	22 (0.87)	30 (1.18)	28.4 (1.11)	41.1 (1.62)	
J	290 (11.42)	305 (12.01)	298.5 (11.75)	330.2 (13.00)	
N	12	12	8	12	
G	23 (0.91)	25 (0.98)	22.4 (0.88)	25.4 (1.00)	
WEIGHT kg (lb)	58.7 (129.4)	74.1 (163.4)	70.7 (155.9)	102.9 (226.9)	

(Note 1) The flow direction is opposite (right to left when facing onto indicator) in case of code/CRC.

Terminal Wiring

Remote Type Detector	T	Built-in Temperature Sensor Terminal
	A } B }	Signal Output Terminals
	C	Common Terminal
	⊕	Grounding Terminal

* Use DYC signal cable for remote type.
 * T is used for /MV only.



Remote type