

Drawings

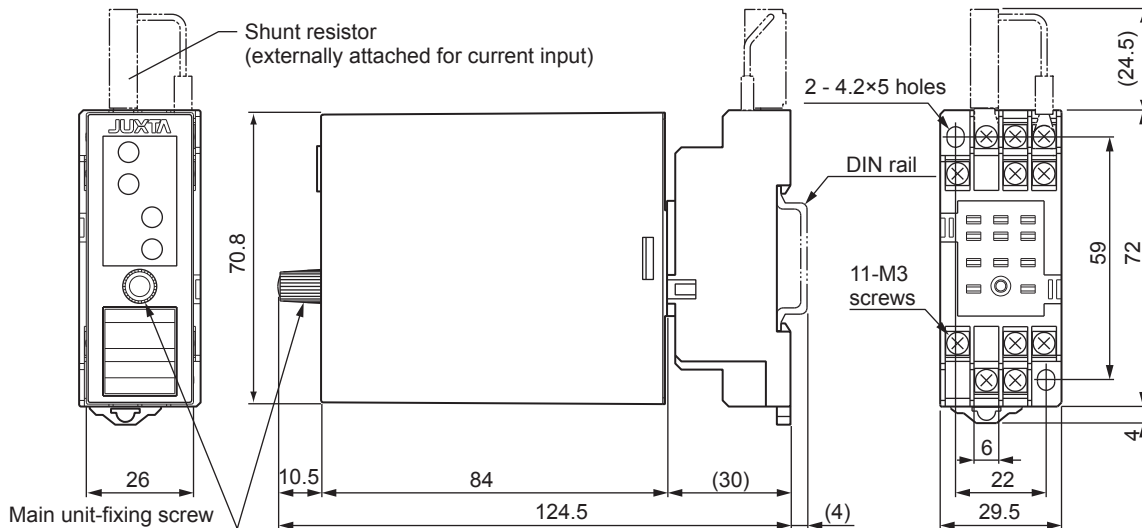
Model VJHR
 Isolator (Reverse Output Type)
 (Isolated Single-output and
 Isolated Dual-output Types)



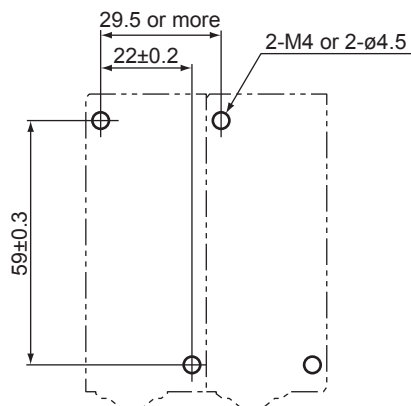
SD 77J01H12-01E

Unit: mm

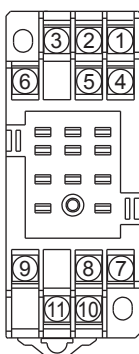
External Dimensions



Mounting Dimensions



Terminal Assignments



1	INPUT	(+)
2	OUTPUT-2	(+)
3	INPUT	(-)
4	Do not use	
5	OUTPUT-2	(-)
6	Do not use	
7	OUTPUT-1	(+)
8	GND	
9	OUTPUT-1	(-)
10	SUPPLY	(L+)
11	SUPPLY	(N-)

Note: Do not use output-2 for the single-output type.