

1. GENERAL

COMBINED PH ELECTRODES (NON-FLOW)

SC21(D)-AAP26

- pH, temperature range: 0 to 14 pH, 0 to 110 °C.
- Maximum process pressure 500 kPa.
- Glass Resistance (25°C): 250 to 400 MΩ.
- High quality Ag/AgCl reference system (pin) which can stand high temperatures and temperature fluctuations.
- A large area PTFE junction to resist fouling to a high degree.
- Chemical resistant, steam-sterilisable pH-glass.

SC21-AGP24

- pH, temperature range: 0 to 14 pH, 0 to 80 °C.
- Maximum process pressure 500 kPa.
- G-Glass Resistance (25°C): 50 to 100 MΩ.
- S-Glass Resistance (25°C): 25 to 50 MΩ.
- Ag/AgCl wire reference system.
- pH bulb with cage protection (no breakage when placed in a beaker).
- Less maintenance due to the gelled electrolyte and porous PTFE.
- Thickened electrolyte (3.3M).

SC21C-AGP26

- pH, temperature range: 0 to 14 pH, -10 to 100 °C.
- Maximum process pressure 500 kPa.
- Glass Resistance (25°C): 120 to 200 MΩ.
- High quality Ag/AgCl reference system (pin) which can stand high temperatures and temperature fluctuations.
- Double junction (thickened saturated KCl-solution). The built-in salt bridge prevents poisoning of the reference system.
- Heavy duty glass membrane for prolonged operation in corrosive, abrasive and fouling environments (withstanding traces of HF).
- A large area PTFE junction to resist fouling.

SC21-ALP26

- pH, temperature range: 0 to 14 pH, 10 to 120 °C.
- Maximum process pressure 500 kPa.
- Glass Resistance (25°C): 600 to 900 MΩ.
- High quality Ag/AgCl reference system (pin) which can stand high temperatures and temperature fluctuations.
- Double junction (thickened saturated KCl-solution). Built-in salt bridge prevents poisoning of the reference system.
- Heavy duty glass membrane for prolonged operation in corrosive, abrasive and fouling environments (withstanding traces of HF).
- Large area PTFE junction to resist fouling.
- Chemical resistant, steam-sterilisable pH-glass.

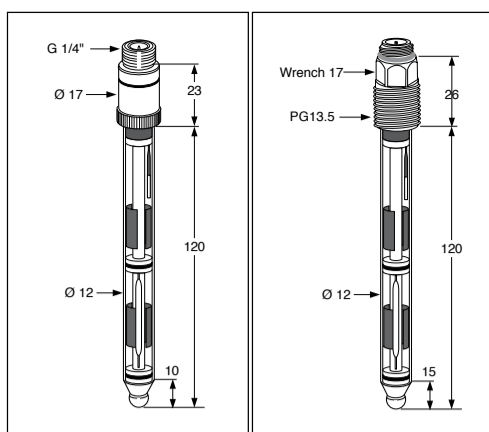


Fig. 1 SC21-AAP26

Fig. 2 SC21D-AAP26

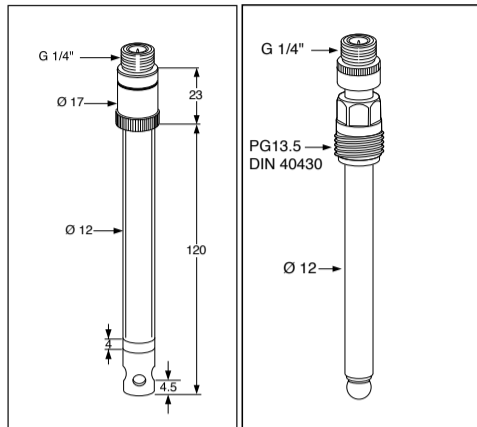


Fig. 3 SC21-AGP24 / ASP24

Fig. 4 SC21C-AGP64

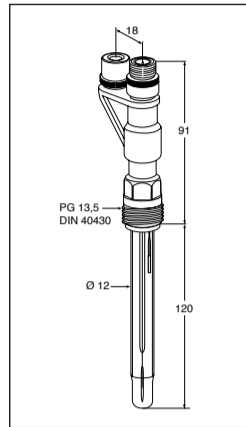


Fig. 5 SC21C-AGC55

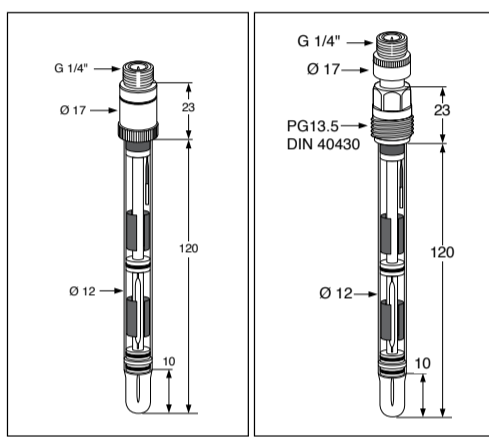


Fig. 6 SC21-AGP26 / ALP26

Fig. 7 SC21C-AGP26

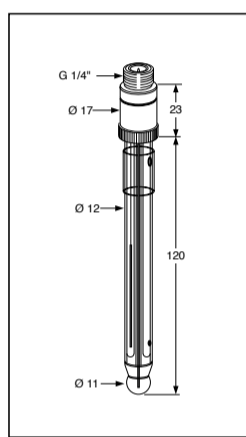


Fig. 8 SC21-AGC11

SC21C-AGP64

- pH, temperature range: 0 to 14 pH, 0 to 80 °C
- Maximum process pressure 500 kPa
- Glass Resistance (25°C): 75 to 150 MΩ
- Ag/AgCl wire reference system
- Gelled electrolyte and porous PTFE.
- 3.3 molal KCl electrolyte

COMBINED PH ELECTRODES (FLOW)

SC21C-AGC55

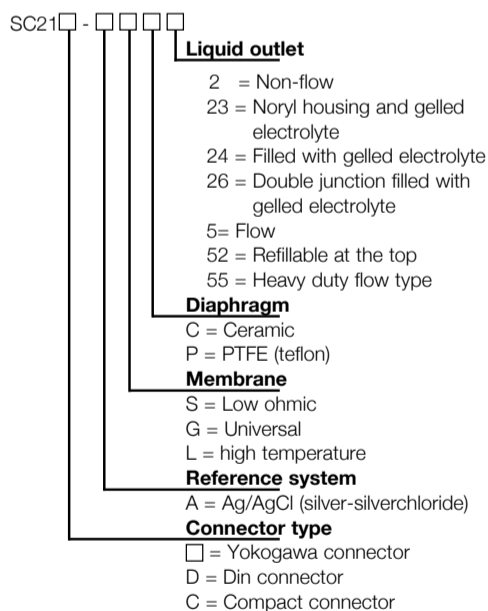
- Low ionic application. Positive flow of electrolyte provides the conductivity to measure pH
- Heavy duty pH sensitive glass.
- Flowing reference system for pollution resistance, and highly stable reference potential.
- PG13.5 standard DIN electrode connection.
- Use in combination with the pressurisable electrolyte reservoir to obtain a positive flow towards the process (K1500YA)

SC21-AGC11

- Refillable combined laboratory electrode.
- pH, temperature range: 0 to 14 pH, 0 to 80 °C.
- Atmospheric pressure.
- Glass Resistance (25°C): 50 to 100 MΩ.
- Ag/AgCl reference system.

1.2. TYPE NUMBER

The type number of a combined electrode is arranged as follows:



1.3. SPECIFICATIONS

The specifications for the sensor are clearly shown on the type plate attached to the electrode cap.

The electrical resistance of the diaphragm is $5k\Omega$ at 25°C. Each temperature increase of 10°C halves the resistance of the membrane. The resistance of the diaphragm depends on the type of the electrode but must be max. 10 kΩ at 25°C in all circumstances.

2. INSTALLATION

2.1. PREPARATION FOR USE

For accurate pH measurement a gel layer must be formed on the membrane surface. For this reason the pH sensitive part of the electrode should be soaked for 24 hours before the electrode is used.

When an electrode has been stored dry and you need to use it immediately (there is no time for soaking), you may do so, but as a result initial regular calibration will be required until the gel layer is formed.

The electrode when dispatched by Yokogawa, has a protective cover cap filled with water around the membrane which ensures you can use the electrode immediately. Flow electrodes (types SC21C-AGC55) have a refill opening, which is sealed with a cap or stopper.

NOTE:

Before installation the above mentioned stopper and protective cover cap must be removed. If required, the flow electrodes of the type SC21C-AGC55 may be connected to a reservoir of electrolyte solution. To maintain a correct flow, in non-pressurized systems, the reservoir must be placed so that the level of the electrolyte is above the level of the measuring liquid. Only under these circumstances will the correct electrical contact between reference system and measuring liquid be guaranteed.

2.2 MOUNTING

The combined electrodes must be connected with a Coax cable type WU20(D)-PC, marked with a blue strip. In areas where electrical interference is likely we recommend to use the Triax electrode cable type WU20(D)-LT.. marked with a blue strip. The cables meet the requirement of IP65 and can be used in temperatures up to 70°C (Triax) and 110°C (Coax).

The cables above are fitted with the standard Yokogawa nut (WU20-) or a DIN nut (WU20D-), the dimensions of which are shown in figure 12.

The Yokogawa nut can be ordered under part number: K1500DW.

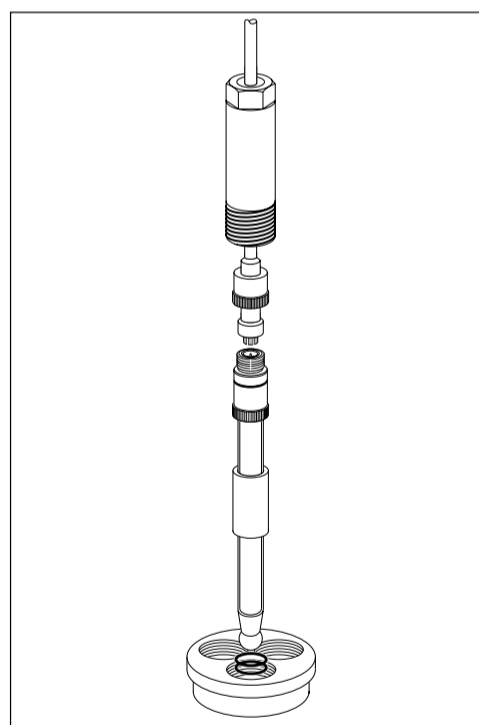


Fig. 10 Standard mounting with mounting set FP20-R12(M), FP20-S12(M)

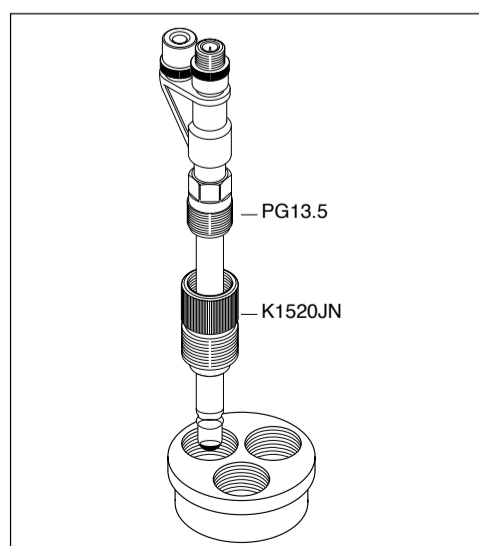


Fig. 11 Mounting PG13,5 in Yokogawa fitting using the adapter K1520JN (PVC-C) or K1500DV (PVDF)

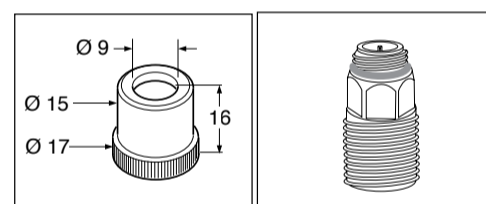


Fig. 12 YEF-connector (set of 12 cable nuts).

Fig. 13 D-connector

RESERVOIR FOR SC21C-AGC55

The reservoir, including connection kit and tubing, can be ordered separately. The connection of the tubing to the sensor is described in figure 14. At the reservoir side Yokogawa provides a so called swagelock connection.

NOTE: Avoid air bubbles in the tubing.

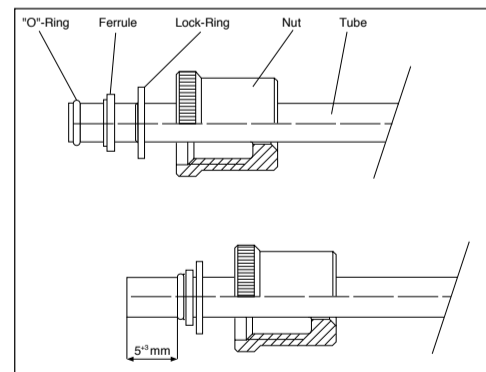


Fig. 14 Mounting the tube connection for the SC21C-AGC55

3. USE AND MAINTENANCE

3.1. GENERAL

The isothermal point of intersection of the electrode is at (pH 7 = 0 mV)
Regularly check there is sufficient electrolyte solution in the electrode or in the reservoir.

The SC21C-AGC55 type sensor is filled with a solution of 3.3 M KCl (i.e. 246.9g KCl/1000 g demi-water), which is available as spare part nr: K1520VA.

The electrodes of the type SC21(D)-...2. are filled with a gelled electrolyte solution and refilling is not necessary. When there is insufficient electrolyte solution this type of electrode has probably been used at a temperature too high for this electrode and therefore replacement by another type of electrode is re-commended.

3.2 CALIBRATION AND BUFFERING

To calibrate a pH sensor, two buffer solutions with known pH values are required. It is recommended that one buffer solution has a value has near to pH 7.00 (ITP). Depending on the process value to be measured, the second buffer solution should be either acidic (below 7.00) or alkaline (above 7.00). Normally, the IEC buffers (4.01, 6.87 and 9.18) are used. The following is a very general 2-point calibration procedure.

1. Refer to appropriate Instrument Instruction Manual for Calibration procedures (Auto; Manual; Sample, etc.),
2. Clean the sensor (deposits may be removed using a 5% (approximate) solution of HCL).
3. Rinse the sensor thoroughly with clean (demi) water.
4. Immerse the sensor in the first buffer (6.87 pH is recommended).
5. Rinse sensor thoroughly with clean (demi) water.
6. Immerse the sensor in the second buffer (4.01 or 9.18 recommended).
7. Repeat Step 4.

During calibration the temperature compensation should be active. After the calibration is complete replace or re-install the sensor into the process.

NOTE: During buffering the liquid earth and the temperature compensation must be connected. The temperature of the buffer solution must be within the limits of the technical specifications as indicated on the type plate.

4. STORAGE

When an electrode is to remain unused for a long period, it is necessary to fill the electrode completely with electrolyte solution, to close the refill opening, and to fit the protective cover around the membrane. This must be filled with water.

5. TROUBLE SHOOTING

Generally faults are caused by:

- a. Sensitivity decrease of the membrane. When this occurs the electrode must be cleaned with a suitable detergent.
 1. Depositions of hydroxides lime, iron, hydroxyde can be removed by immersing the electrode in a diluted solution of hydrochloric acid and then rinsing with water.
 2. Depositions of oil and fat can be removed by means of hot water in conjunction with a domestic washing solution. When the result is unsatisfactory, a domestic abrasive may be carefully used.
 3. Albuminous depositions can be removed by means of a solvent containing: 8,5 ml concentrated hydrochloric acid, 10 g pepsin and 1 liter demi-water.

NOTE: When polar solvents are used for special cleaning purposes, it is necessary to soak the electrode for some time after cleaning as the polar solvent influences the gel layer. When an a-polar solvent is used (benzene, ethere, toluene) follow up treatment with a polar solvent (methanol, acetone) is necessary.

b. Leakage to earth.

Fault indications can be expected when the resistance between the reference system and the screening falls below $10^7 \Omega$. When a fault occurs, first check if the electrode cable is in a good condition. Second check if the connector contacts and the terminals in the measuring instrument or connection box are clean and dry.

c. Short circuit by break or leakage.

The pH meter reading remains approximately pH 7 and is not dependent on the pH value of the liquid being measured. If this occurs the electrode should be replaced.

d. Diaphragm poisoning

Strongly polluted liquids can cause the diaphragm to foul very quickly. As a result, there will be a transition resistance over the diaphragm. When this resistance exceeds $10^5 \Omega$ instability of reading and incorrect indication of the measured value will occur. The above fault occurs frequently with flow type electrodes when the flow of electrolyte solution is insufficient e.g. with adverse pressure variations due to the medium, pumps or too low electrolyte level.

Fouled electrodes can be cleaned with hot water in conjunction with a domestic washing solution if necessary. When the fouling is caused by fat or hydroxides (lime) cleaning with an organic solvent or diluted acid respectively is recommended.

The ceramic diaphragm of electrode types SC21C-AGC.. can be cleaned by lightly rubbing with fine emery paper. It may be necessary with non-flow electrode types SC21(D)-...2. to place the electrode for a period in an electrolyte solution at 80°C and let them remain until the solution has completely cooled.

e. Poisoning.

An electrode can be poisoned by the penetration of the process liquid or by diffusion of components of the process medium through the diaphragm. In addition, the inner liquid in combination with dissolved particles from the process medium may give deposits which block the diaphragm (e.g. silver chloride + sulfide -> deposits of silver sulfide). When poisoning occurs replacement of the electrode will normally be necessary. It is recommended if poisoning of a non-flow electrode occurs to use an alternative type of electrode.

f. Poor conduction of the process liquid.

When the electrical conduction of process liquid is very low, an instability of reading will occur. This problem may be cured either by adding electrolyte solution to the process liquid or, if this is not possible, by making the reference input of the measuring instrument high impedance.

g. Degrading of the glass membrane.

- Degrading has one or more of the following effects:
- decrease of speed of response
 - increase of the electrical resistance
 - decrease of sensitivity
 - zero point shift

The effect of aging of the electrodes makes it necessary to carry out re-calibration of the electrode system regularly. The frequency depends on the required accuracy, the composition of the sample to be measured and the temperature.

e.g.:

If the lifetime of an electrode is 100% at the room temperature it will be 20% at 80°C and only 5% at 120°C.

It is possible to re-activate an aged electrode by immersing for 10 seconds in a P.V.C. beaker containing a solution of vinegar (1 mol) and potassium fluoride (1 mol). Ratio 1:1. After this the electrode must be cleaned carefully.

WARNING:

As a result of strong etching properties of the acid, the handling should be done carefully and in consultation with a safety officer.

6. CHECK

A quick check for correct functioning of a combined electrode can be made as follows. First connect the reference lead of this electrode to the reference input of a pH meter. A known good reference electrode with the same reference system should be connected to the glass electrode input of the meter. After immersing both electrodes in a buffer solution. The meter reading should be stable and adjustable to pH 7 (asymmetry potential.) If this is possible the reference part of the electrode is functioning correctly.

A quick check of the correct functioning of the pH part of the combined electrode can be made by connecting the pH sensitive part to the glass electrode input of a pH meter and a known good reference electrode to the reference lead of this meter. If the calibration procedure described in 3.2 gives a correct adjustment the pH sensitive part of the combined electrode is functioning correctly.

Instruction Manual

SC21, SC29, SM21, SM23, SM29, PH20, FU20, FU20F, FU24, FU24F

Protection of Environment (Use in China)

This manual is valid only in China.

产品名称	有害物质						
	铅 (Pb)	汞 (Hg)	镉 (Cd)	六价铬 (Cr(VI))	多溴联苯 (PBB)	多溴二苯醚 (PBDE)	邻苯二甲酸酯
线型塑料	x	o	o	o	o	o	o
橡胶	x	o	o	o	o	o	o

○：表示该有害物质在该部件所有含该物质的点有量都在GB/T26572规定的限量要求以下。
×：表示该有害物质至少在该部件的某一含该物质点有量超过GB/T26572规定的限量要求。

环保使用期限：这个标志是基于SJ/T11364，在中国（不包括台湾、香港、澳门）销售的电子电器产品所适用的环保使用期限。
只要遵守产品上关于安全及使用上的注意事项，从制造之日起计算在该年限内，不会发生制品内的有害物质外泄，突然变异，对环境或人体以及财产产生重大影响的情况。
(注) 该年限是《环境保护使用期限》，不是产品的保质期。
另外，关于替换部件的推荐替换周期，请阅读使用说明书。

Production date
关于生产日期
生产日期在产品铭牌上9位数的序列号中，用以下形式表示生产日期。
从左数第3位数：生产年份
R: 2015, S: 2016, T: 2017, U: 2018, V: 2019, W: 2020, X: 2021, Y: 2022, Z: 2023,
1: 2024, 2: 2025, 3: 2026, ...
从左数第4位数：生产月份
1: 1月, 2: 2月, 3: 3月, ..., 9: 9月, A: 10月, B: 11月, C: 12月
(示例) #3S700001: 2016年7月

Subject to change without notice


Copyright©2016 YPA Europe B.V. Euroweg 2, 3825 HD, Amersfoort The Netherlands 1st edition July 2016 Printed in The Netherlands

Instruction Manual

SC24V, SC25V, SC25F, SM60, SR20, FC20, BA10, BA11, IB100, WF10, WF20, WP20, WU10, WU20, WU40, SC41, SC42, SC49, SC4A, SX42, ISC40

Protection of Environment (Use in China)

This manual is valid only in China.

 这个标志是基于SJ/T11364，在中国（不包括台湾、香港、澳门）销售的电子电器产品所适用的环保使用期限。6种有害物质的含有量都低于GB/T26572所规定的限量要求以下。

Production date
关于生产日期
生产日期在产品铭牌上9位数的序列号中，用以下形式表示生产日期。
从左数第3位数：生产年份
R: 2015, S: 2016, T: 2017, U: 2018, V: 2019, W: 2020, X: 2021, Y: 2022, Z: 2023,
1: 2024, 2: 2025, 3: 2026, ...
从左数第4位数：生产月份
1: 1月, 2: 2月, 3: 3月, ..., 9: 9月, A: 10月, B: 11月, C: 12月
(示例) #3S700001: 2016年7月

Subject to change without notice

Copyright©2016 YPA Europe B.V. Euroweg 2, 3825 HD, Amersfoort The Netherlands 1st edition July 2016 Printed in The Netherlands

YOKOGAWA ELECTRIC CORPORATION
World Headquarters
9-32, Nakacho 2-chome, Musashino-shi
Tokyo 180-8750
Japan
www.yokogawa.com

YOKOGAWA CORPORATION OF AMERICA
12530 W. Airport Blvd.
Sugar Land, TX 77478
United States of America
www.yokogawa.com/us

YOKOGAWA EUROPE B.V.
Euroweg 2
3825 HD Amersfoort
The Netherlands
www.yokogawa.com/eu

YOKOGAWA ELECTRIC ASIA Pte. LTD.
5 Bedok South Road
Singapore 469270
Singapore
www.yokogawa.com/sg

YOKOGAWA CHINA CO. LTD.
3F Tower D
Cartelo Crocodile Building
No.568 West Tianshan Road
Changning District
Shanghai, China
www.yokogawa.com/cn

YOKOGAWA MIDDLE EAST B.S.C.(c)
P.O. Box 10070, Manama
Building 577, Road 2516,
Bussateen 225
Muharraq, Bahrain
www.yokogawa.com/bh

Yokogawa has an extensive sales and distribution network.
Please refer to the European website (www.yokogawa.com/eu) to contact your nearest representative.

 **YOKOGAWA**

User Manual

Directions for use combined pH Electrodes

YOKOGAWA IM 12B06J01-30E-E 10-1706 (A) I

Printed in The Netherlands,
Subject to change without notice
Copyright©