

Drawings

AXF025, AXF040, AXF050, AXF080, AXF100 **ADMAG AXF™**

AXF Integral Flowmeter/Remote Flowtube Replacement Model for Earlier ADMAG or ADMAG AE (Wafer) Fluorocarbon PFA/Polyurethane Rubber Lining

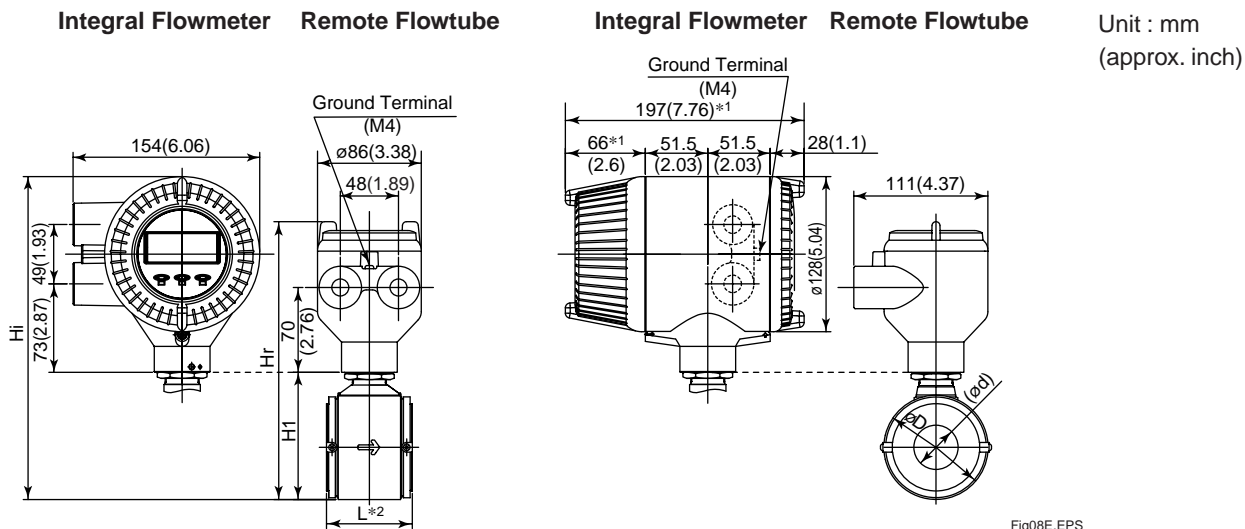


Fig08E.EPS

*No infra-red switches are furnished for Fieldbus communication type.

Model code:

AXF025 D^{*5}
 AXF040 G E 1
 AXF050W F 2 A U □ 1 □ □ - A □ □ 2
 AXF080 C G N
 AXF100 N
 P

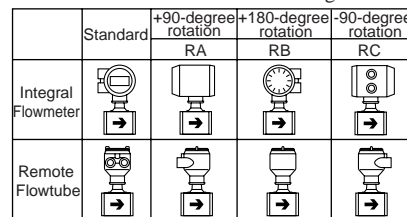
*5: D, E, F, G; Integral Flowmeter, N, P: Remote Flowtube

Model	Size code		025	040	050	080	100
	Size		25(1)	40(1.5)	50(2)	80(3)	100(4)
Lining code		A,U	A,U	A,U	A,U	A,U	A,U
Remote Flowtube	Face-to-face length	L ^{*2}	93(3.66)	106(4.17)	120(4.72)	160(6.30)	180(7.09)
	Outside dia.	∅D	67.5(2.66)	86(3.39)	99(3.90)	129(5.08)	155(6.10)
Integral Flowmeter	Inner diameter of Grounding ring	∅d	27(1.06)	40(1.57)	52(2.05)	81(3.19)	98(3.86)
	Height	H1	92(3.62)	111(4.37)	129(5.08)	157(6.18)	183(7.20)
Remote Flowtube	Max. Height	Hr	216(8.50)	235(9.25)	253(9.96)	281(11.06)	307(12.09)
	Weight kg (lb) ^{*3}		3.1(6.7)	3.5(7.7)	4.2(9.3)	6.4(14.1)	8.0(17.6)
Integral Flowmeter	Max. Height	Hi	254(9.98)	273(10.73)	291(11.44)	319(12.54)	345(13.56)
	Weight kg (lb)		4.8(10.5)	5.2(11.4)	5.9(13.1)	8.1(17.9)	9.7(21.3)

TD08E.EPS

Lining code : A; Fluorocarbon PFA, U; Polyurethane Rubber

* When option code RA, RB, or RC is selected, the direction of electrical connection change as below.



F19-1E.EPS

*1: When indicator code N is selected, subtract 12mm(0.47inch) from the value in the figure. In case of explosion proof type with indicator, add 5 mm (0.2 inch) to it.

*2: Depending on the selection of grounding ring code and optional code, add the following value to L(face-to-face length).

Option Code	Grounding Ring Code	S, L, H, V	P, T	N
	None	+0	+22(0.87)	-6(0.24)
GA, GC, GD (Special Gaskets)		+2(0.08)	+24(0.94)	-

*3: When submersible type or option code DHC is selected, waterproof glands and a 30m long cable are attached. Add 9.5kg(20.9lb) to the weight in the table.

Unless otherwise specified, difference in the dimensions are specified as : General tolerance = ± (Criteria of tolerance class IT18 in JIS B0401) / 2

Integral Flowmeter

BRAIN/HART Communication Type

Terminal configuration

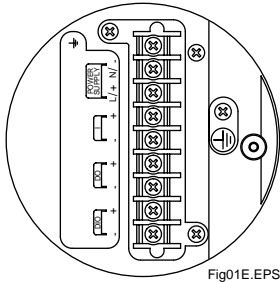


Fig01E.EPS

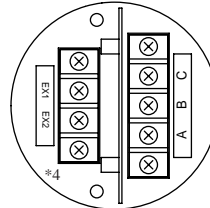
Terminal wiring

Terminal Symbols	Description
	Functional grounding
N/- L/+	Power supply
I+ I-	Current output 4 to 20mA DC
DO+ DO-	Pulse output/Alarm output/ Status output
DIO+ DIO-	Alarm output/Status output Status input
	Protective grounding (Outside of the terminal)

Fig01-2E.EPS

Remote Flowtube

Terminal configuration



*4: In case of explosion proof type, (functional grounding terminal) is added.

Fig02E.EPS

Terminal wiring

Terminal Symbols	Description
A B C	Flow signal output
EX1 EX2	Excitation current input
	Protective grounding (Outside of the terminal)

FOUNDATION Fieldbus/PROFIBUS PA Communication type

Terminal configuration

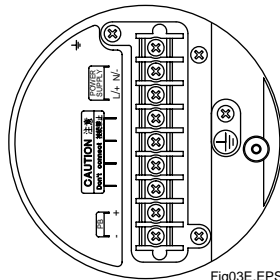


Fig03E.EPS

Terminal wiring

Terminal Symbols	Description
	Functional grounding
N/- L/+	Power supply
FB+ FB-	Fieldbus communication signal
	Protective grounding (Outside of the terminal)

Fig01-3E.EPS