

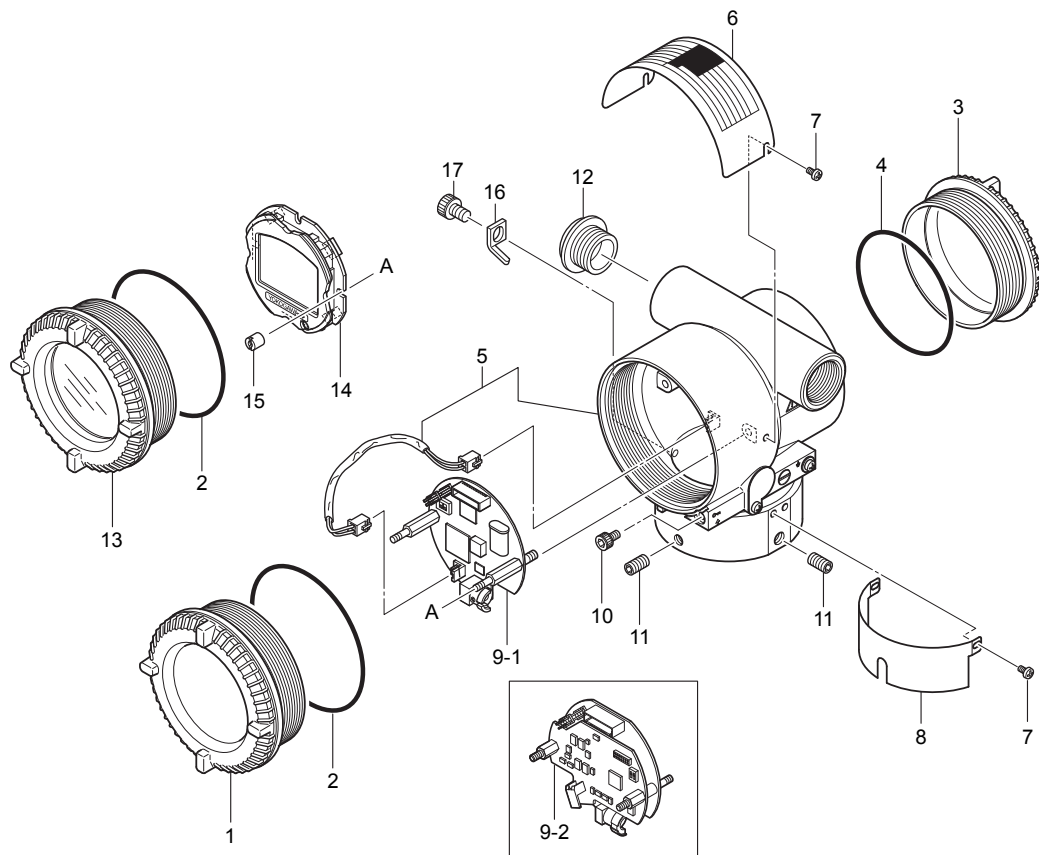
# Customer Maintenance Parts List

## DPharp EJA-E Series Transmitter Section

DPharp **EJA**<sup>®</sup>

● Applicable models and style code

Models	Style code
EJA110E, EJA120E, EJA130E, EJA210E, EJA310E, EJA430E, EJA440E, EJA118E, EJA438E, EJA115E	S1



Item	Part No.	Qty	Description
1	Below F9913TQ F9913VP F9913SC F9913SD F9913CQ F9913DP	1	Cover (Note 1) Cast-aluminum alloy Cast-aluminum alloy (Option code /PR) ASTM CF-8M ASTM CF-8M (Option code /PR) Cast-aluminum alloy with corrosion resistance properties Cast-aluminum alloy with corrosion resistance properties (Option code /PR)
2	Below F9341JP F9900GS	1	O-ring Buna-N Fluoro-rubber (Option code /HE)

Item	Part No.	Qty	Description
3	Below F9913PB F9913PE F9913PG F9913PH F9913PD F9913PF	1	Cover (Note 1) Cast-aluminum alloy Cast-aluminum alloy (Option code /PR) ASTM CF-8M ASTM CF-8M (Option code /PR) Cast-aluminum alloy with corrosion resistance properties Cast-aluminum alloy with corrosion resistance properties (Option code /PR)
4	Below F9910LE F9900GR	1	O-ring Buna-N Fluoro-rubber (Option code /HE)
5	—	1	Case Assembly
6	—	1	Name Plate
7	Below F9900RG F9900RR	4	Screw For cast-aluminum alloy case assembly, 316 SST For ASTM CF-8M case assembly, 316 SST
8	F9900RE	1	Tag Plate, 316 SST
9-1	Below F9920GG F9920GQ F9920GX	1	CPU Assembly (Note 2) For BRAIN protocol For 4 to 20mA HART 5/7 protocol (Note 3) For 1 to 5V HART 7 protocol
9-2	Below F9921DD F9921DE F9921DG	1	CPU Assembly (Note 2) For FOUNDATION Fieldbus protocol For FOUNDATION Fieldbus protocol (Option code /EE) For PROFIBUS PA protocol
10	F9900RP	2	Bolt for Option code /KF22, /KU22, or /SF2
11	Below F9900GC F9900RH	2	Screw SUSXM7 316 SST (for ASTM CF-8M case assembly, or Option code /HC)
12	Below F9900GQ F9900GY F9900GP F9900GX G9612EB F9900GL F9900GK F9900GN	1	Plug For G1/2, Cast-aluminum alloy For G1/2, Cast-aluminum alloy (Option code /HE) For M20, Cast-aluminum alloy For M20, Cast-aluminum alloy (Option code /HE) For 1/2 NPT, SUS304 For G1/2, SUS316 For M20, 316 SST For 1/2 NPT, SUS316
13	Below F9913JG F9913JX F9913KG F9913KX F9913JZ F9913JY F9913KZ F9913KY F9913GG F9913GX F9913HG F9913HX	1	Cover Assembly (Note 1) Cast-aluminum alloy Cast-aluminum alloy (Option code /PR) Cast-aluminum alloy (Option code /HE) Cast-aluminum alloy (Option code /PR and /HE) ASTM CF-8M ASTM CF-8M (Option code /PR) ASTM CF-8M (Option code /HE) ASTM CF-8M (Option code /PR and /HE) Cast-aluminum alloy with corrosion resistance properties Cast-aluminum alloy with corrosion resistance properties (Option code /PR) Cast-aluminum alloy with corrosion resistance properties (Option code /HE) Cast-aluminum alloy with corrosion resistance properties (Option code /PR and /HE)
14	Below F9920LU F9920LV	1	LCD Board Assembly Without range-setting switch With range-setting switch
15	F9342MK	2	Mounting Screw
16	Below F9900GE F9900GD	1	Plate, 316 SST See Note 4 for the applicable models. See Note 5 for the applicable models.
17	F9900RJ	1	Bolt, 316(L) SST

} For integral indicator

(Note 1) Not applicable for Option code /X2.

(Note 2) Applicable for general use type. In case of explosionproof type, consult Yokogawa local office.

(Note 3) This CPU assembly is available for both HART protocol revisions, but is shipped with setting of HART protocol revision 5.

Change the revision number by editing the parameter before using it when HART protocol revision 7 is required.

(Note 4) Applicable models: EJA110E/EJA115E (Wetted parts material code: S except combination with Measurement span code: F), EJA430E (Wetted parts material code S), EJA118E, EJA210E, EJA310E, EJA438E, and EJA440E.

(Note 5) Applicable models: EJA110E/EJA430E (Wetted parts material code: H, M, T, A, D, and B), EJA110E/EJA115E (combination of Wetted parts material code: S and Measurement span code: F), EJA120E, and EJA130E.