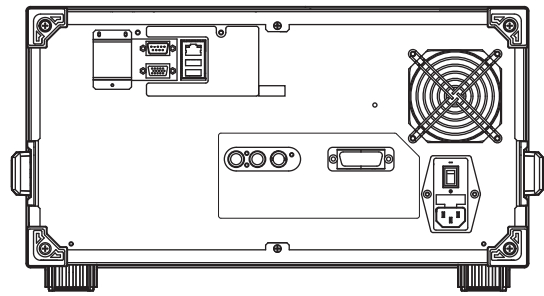
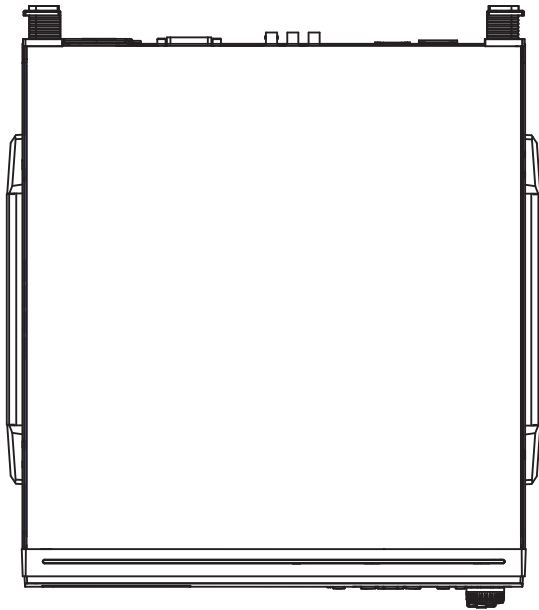


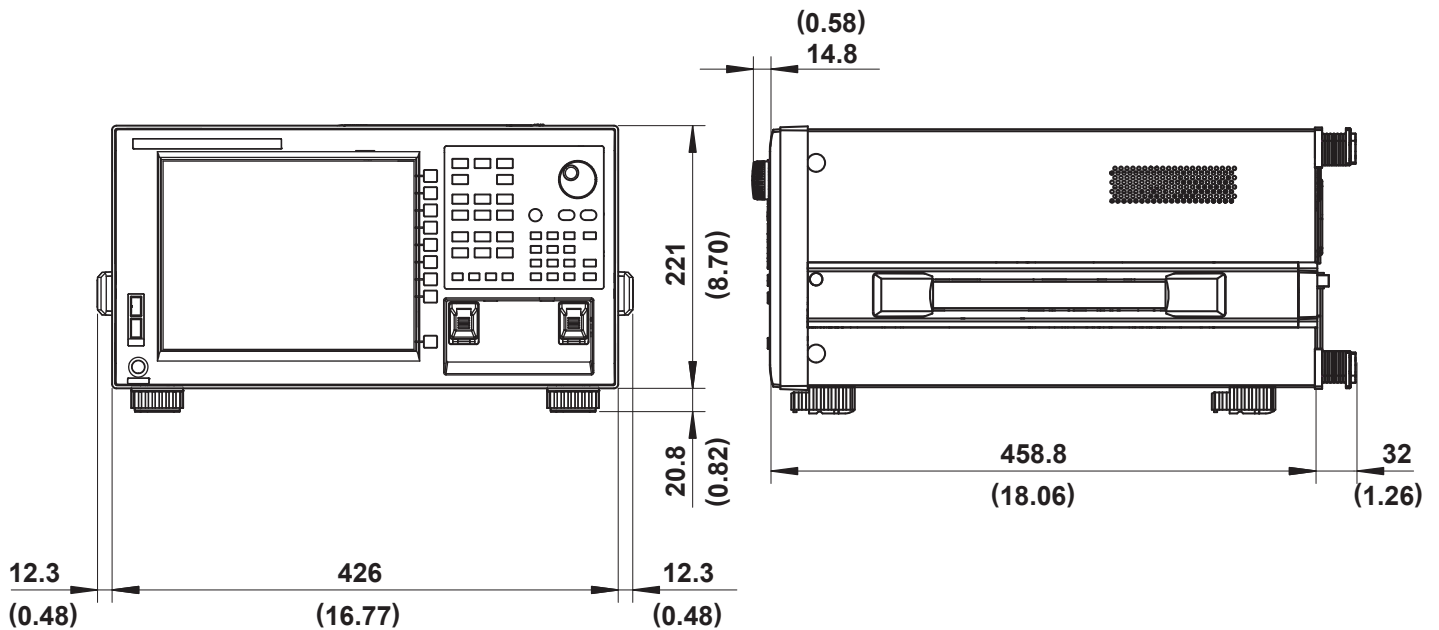
Drawings

AQ6373B Optical Spectrum Analyzer

Unit: mm
(approx. inch)



REAR VIEW



Weight : approx. 19 kg

If not specified, the tolerance is $\pm 3\%$. However, in cases of less than 10 mm, the tolerance is ± 0.3 mm.