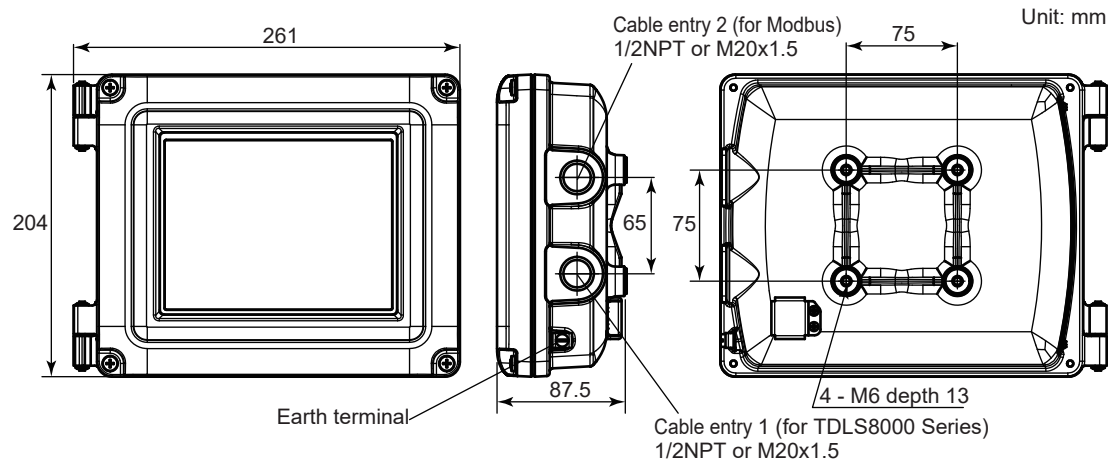


Drawings

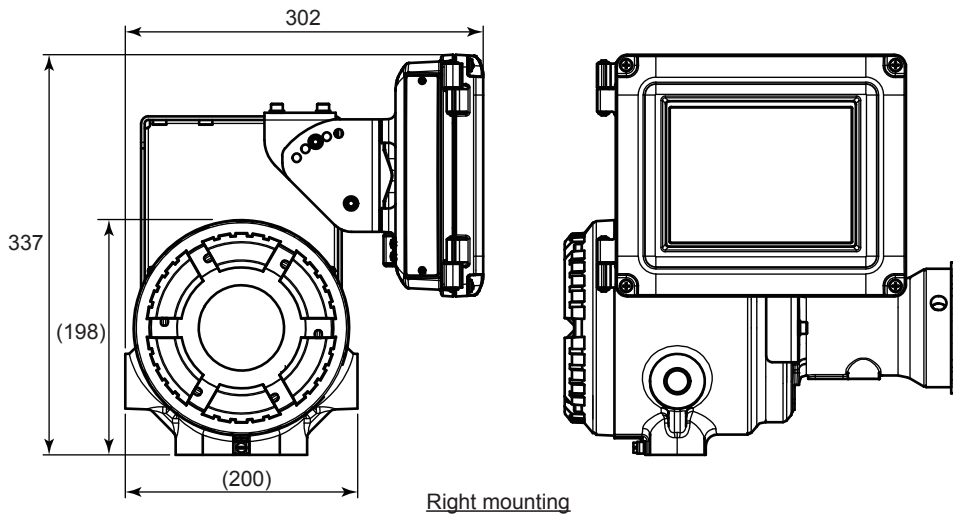
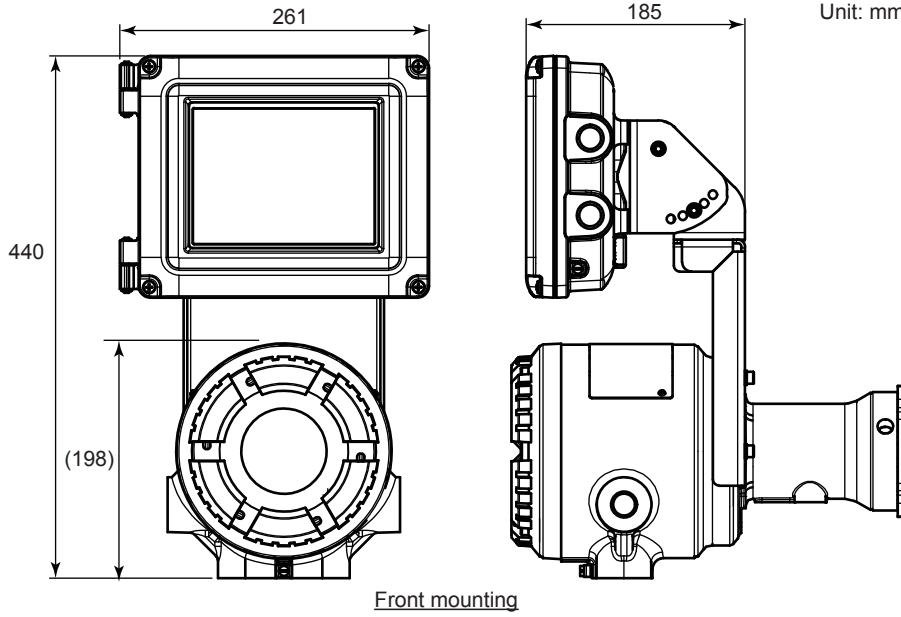
YH8000 HMI Interface Unit for TDLS8000 Series



Unless otherwise specified, differences in the dimensions are specified as: General tolerance = \pm (Criteria of tolerance class IT18 in JIS B0401-1998)/2.

TDLS8000

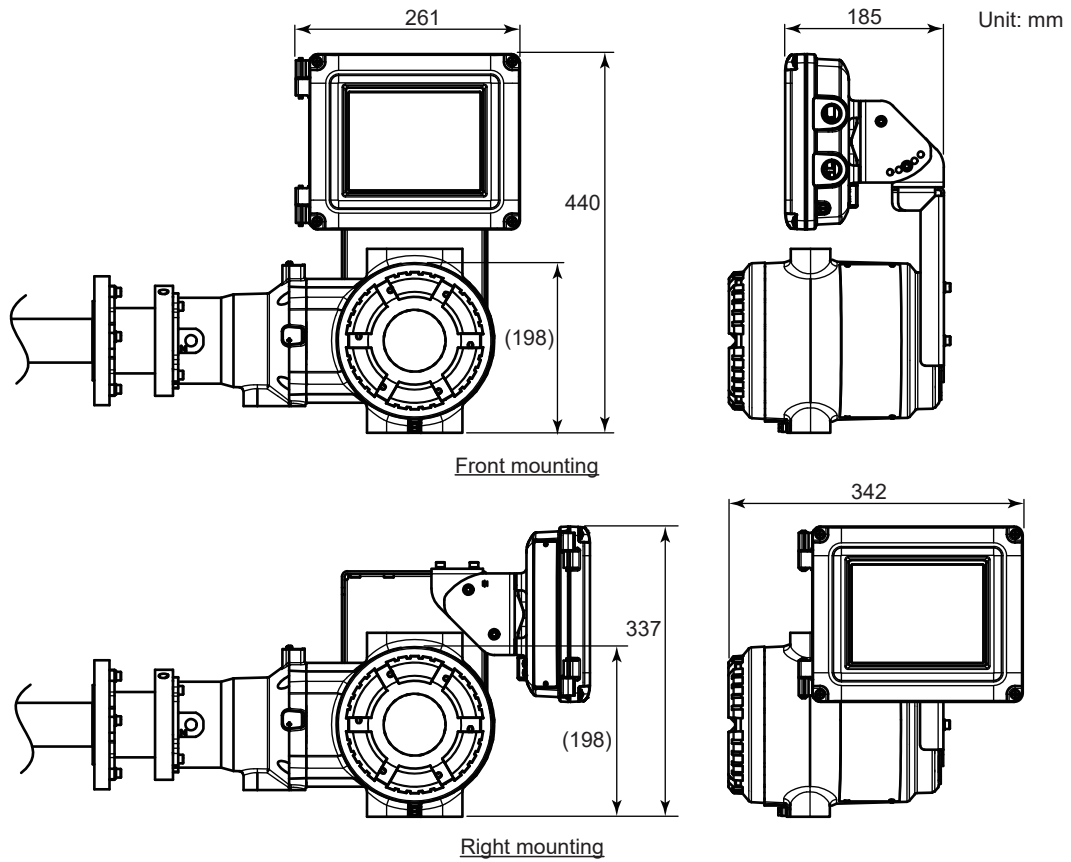
Unit: mm



Available for left mounting

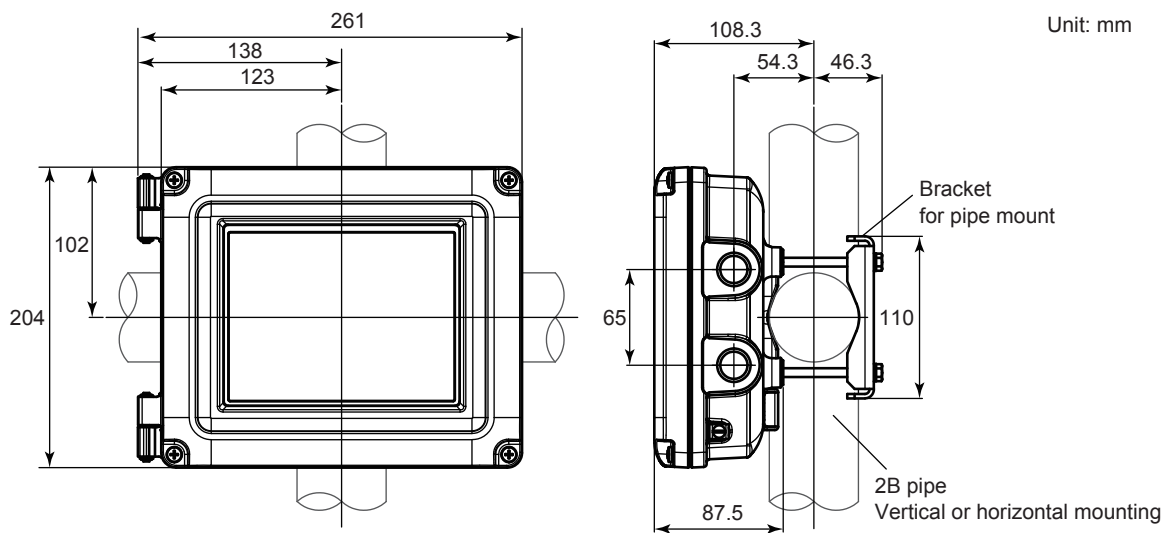
Unless otherwise specified, differences in the dimensions are specified as: General tolerance = \pm (Criteria of tolerance class IT18 in JIS B0401-1998)/2.

TDLS8100



□ /P

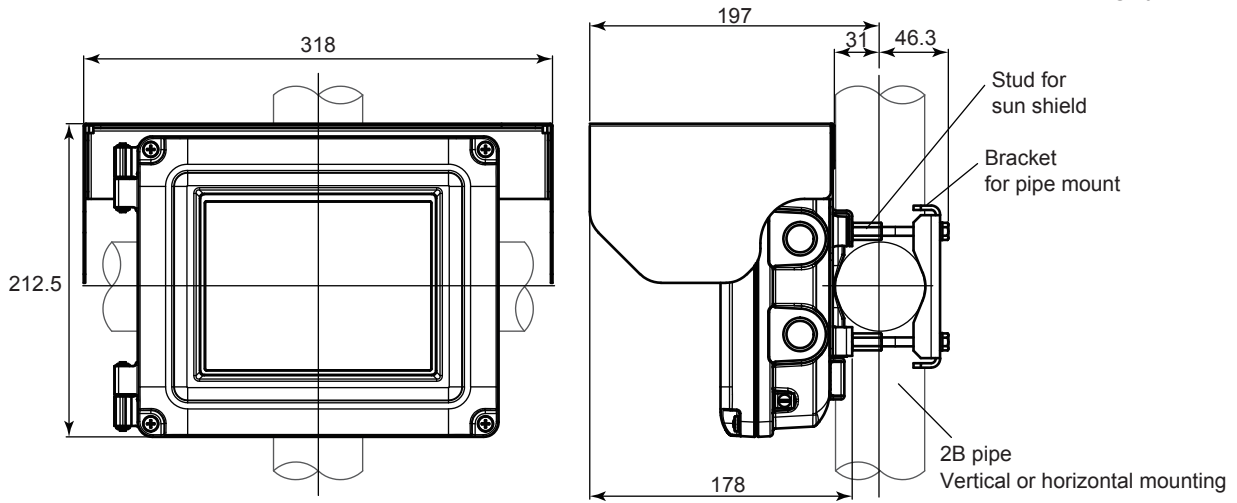
Pipe mount



Unless otherwise specified, differences in the dimensions are specified as: General tolerance = \pm (Criteria of tolerance class IT18 in JIS B0401-1998)/2.

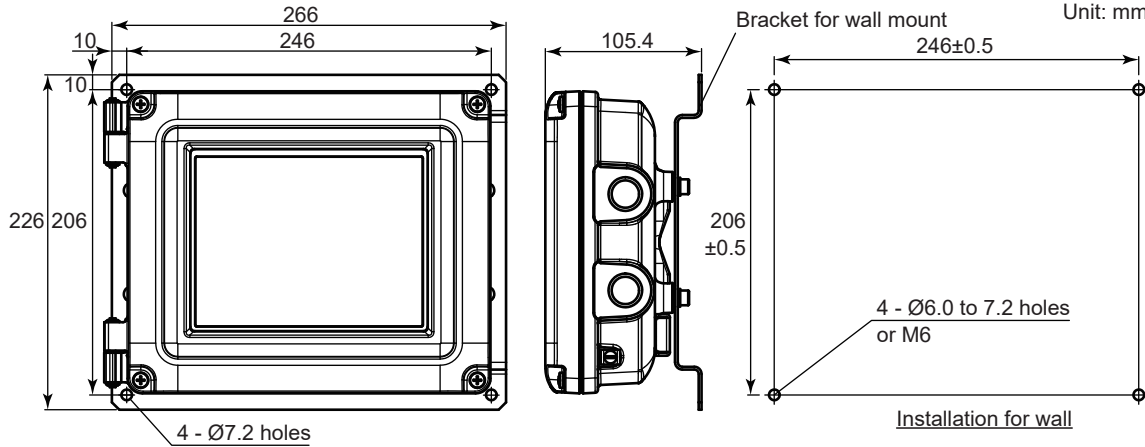
□ /S Sun Shield (Pipe mount)

Unit: mm



□ /W Wall mount

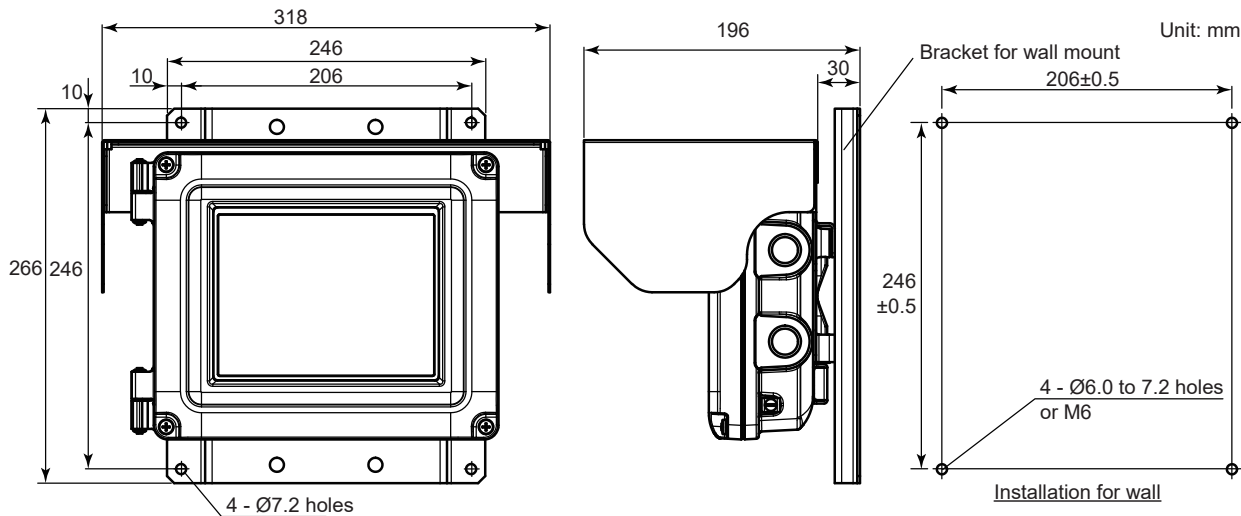
Unit: mm



*: The wall construction for mounting has to be designed for 4 times the weight of the YH8000. Bracket for wall mount can be placed in lengthwise

□ /S Sun Shield (Wall mount)

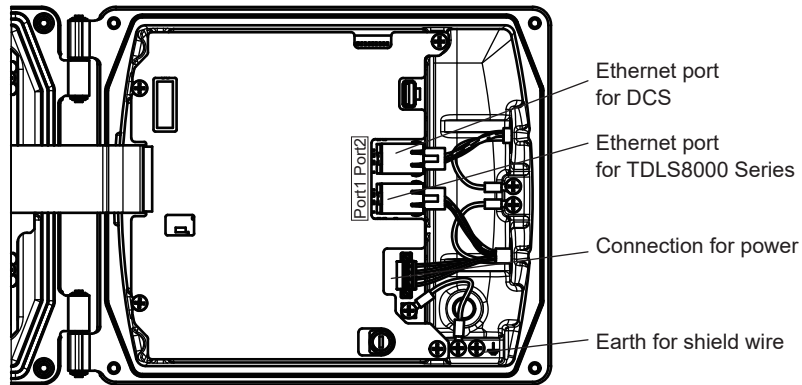
Unit: mm



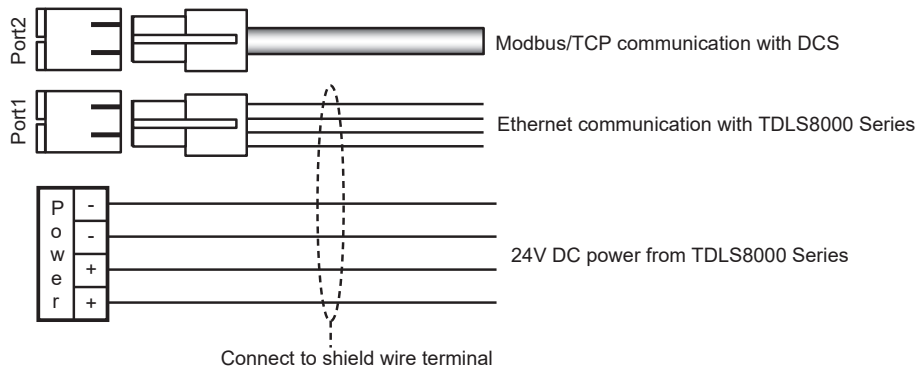
*: The wall construction for mounting has to be designed for 4 times the weight of the YH8000. When the sun shield is mounted, the bracket for wall have to be placed in widthwise.

Unless otherwise specified, differences in the dimensions are specified as: General tolerance = ±(Criteria of tolerance class IT18 in JIS B0401-1998)/2.

■ Wiring Diagram

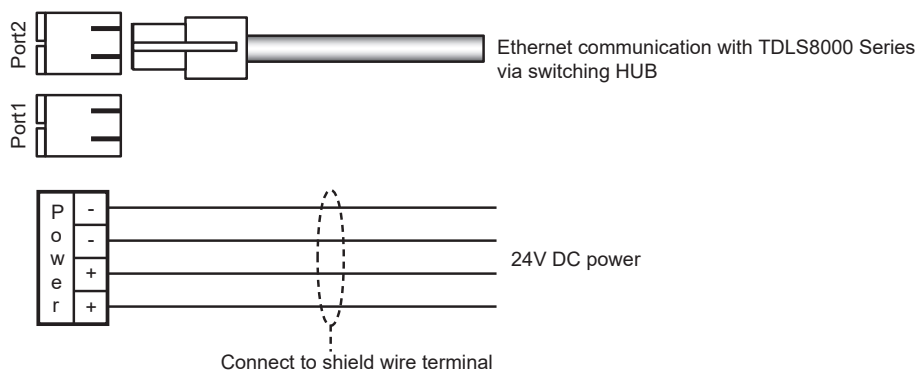


● Local HMI configuration



- Connection cable between TDLS8000 Series and YH8000 must be use special cable which can be specified option code "/C."
- Maximum cable length between TDLS8000 Series and YH8000 is 3m.
- Maximum cable length between YH8000 and DCS is 100m.

● Remote HMI configuration



- Maximum cable length between YH8000 and Switching HUB is 100m.