

# General Specifications

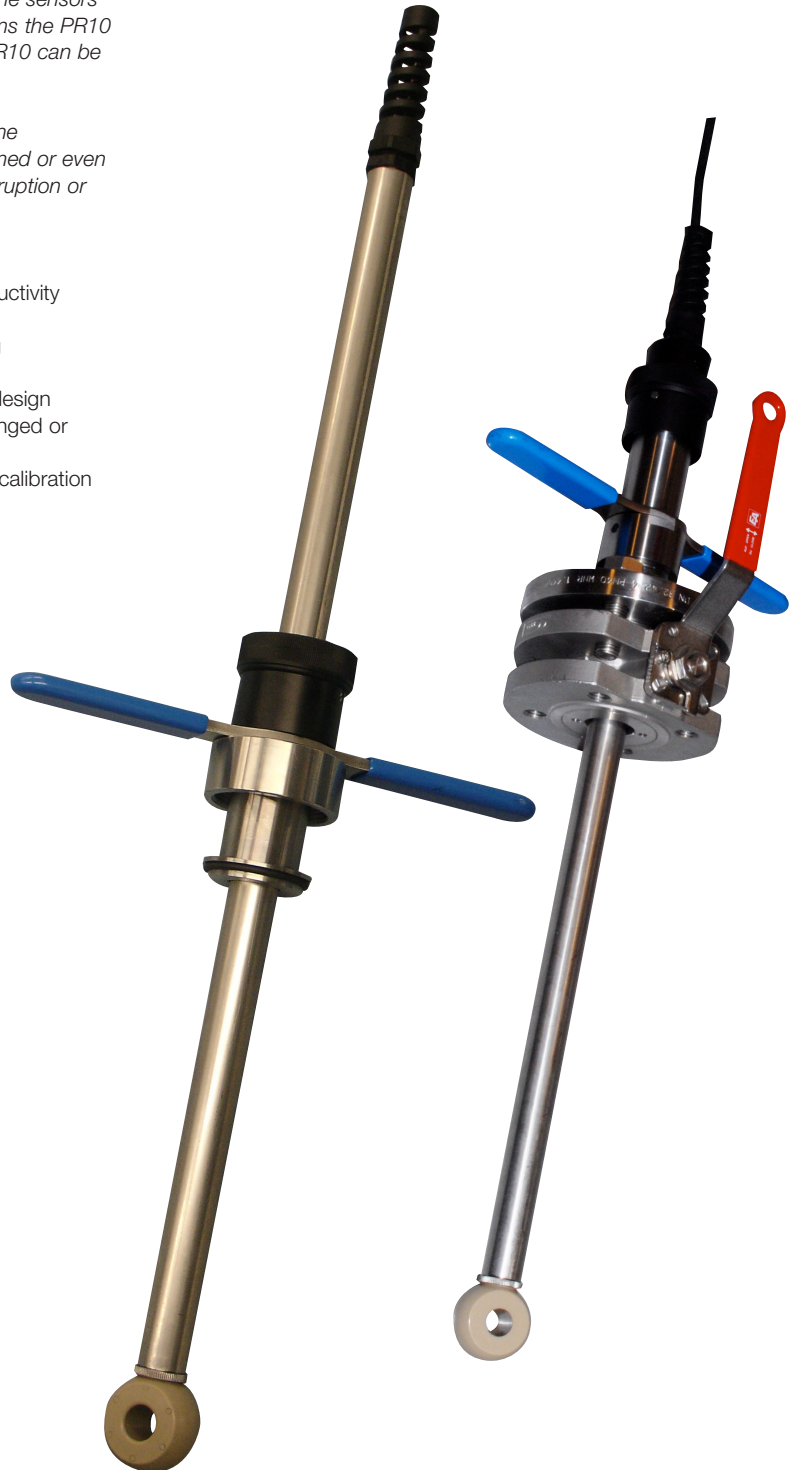
Model PR10  
Inductive Conductivity  
Retractable fitting

*On-line measurements always present extra challenges compared to at-line measurements. For example when maintenance needs to be done. Applications where the sensors has to be removed without interruptions or shut-downs the PR10 is especially suitable. Without any special tools the PR10 can be retracted safely from the process up to 5 bar.*

*For easy of use optional flush ports are available. In the retracted position the sensor can be kept moist, cleaned or even calibrated. This can all be done without process interruption or disassembly of the armature.*

## Features

- One model for pH, conductivity and inductive conductivity sensors
- Build in scraper to avoid contamination of the fitting
- Usable for wide range of sensors
- A safe "through the valve" insertion and retraction design
- Simplified installation by optional ball valves with flanged or tapered connections
- Optional flush port for keeping moist, cleaning and calibration



**General Specifications**

**A. Wetted materials**

- For sensor check Instruction Manual
- Stainless steel AISI 316L
- O-ring seals: Viton 70° shore

**B. Non-wetted materials**

- For sensor check Instruction Manual
- Stainless steel AISI 316, 304
- Polypropylene glass filled

**C. Insertion length**

- Ref. mechanical drawing Fig. 2 - 5.

**D. Pressure/temperature ratings**

- Static conditions: see FIG. 1.
- Operating conditions during extraction and insertion max. 500kPa, max. 100°C

**E. Flange ratings:**

- DIN flange DN50 PN10
- ANSI flange 2" 150 lbs

**F. Specifications of the sensor used**

- Please check sensor specifications

**G. Weight**

- Approx 2.5 kg excl. ball valve

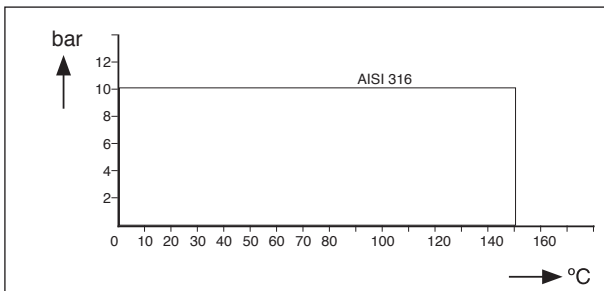
**H. ISC40G(S)-GR**

- Wetted parts
- Sensor : Victrex PEEK
- Sealing gasket : Viton
- Process adapters : PR10

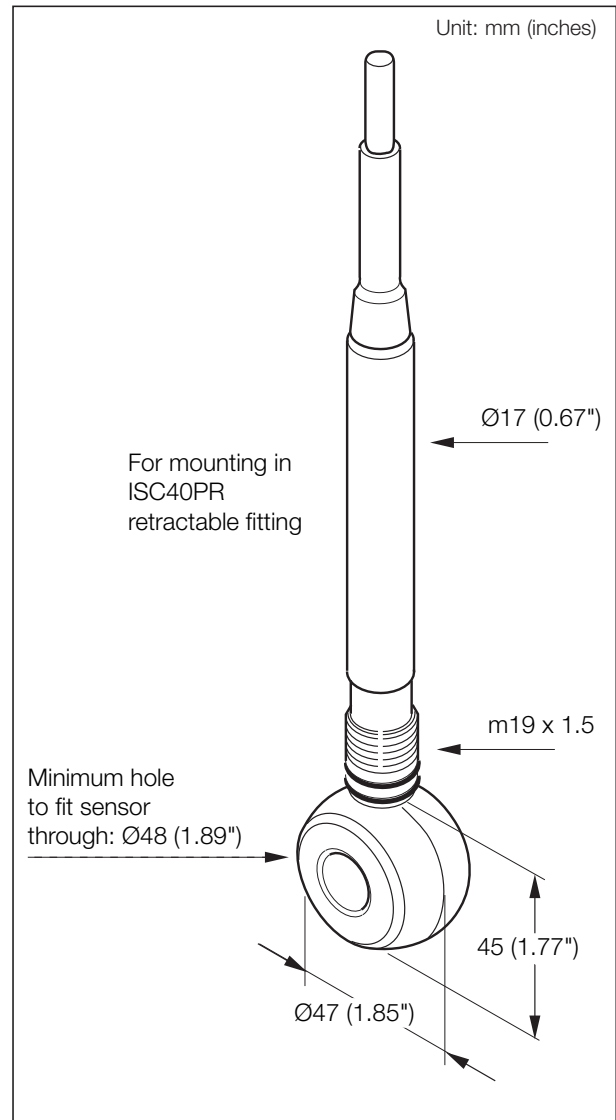
**Table 1 Model and Suffix Codes**

Model	Suffix	Option	Description
ISC40G-GR			General purpose, glass filled PEEK, retractable model
ISC40S-GR			Intrinsically safe, glass filled PEEK, retractable model
Temp. sensor	-T1		Pt1000
	-T3		30kNTC
Cable length	-03		03 mtr
	-05		05 mtr
	-10		10 mtr
	-15		15 mtr
	-20		20 mtr

**Note:** option Q is now standard delivered



**FIG. 1 Pressure / Temperature graphic**



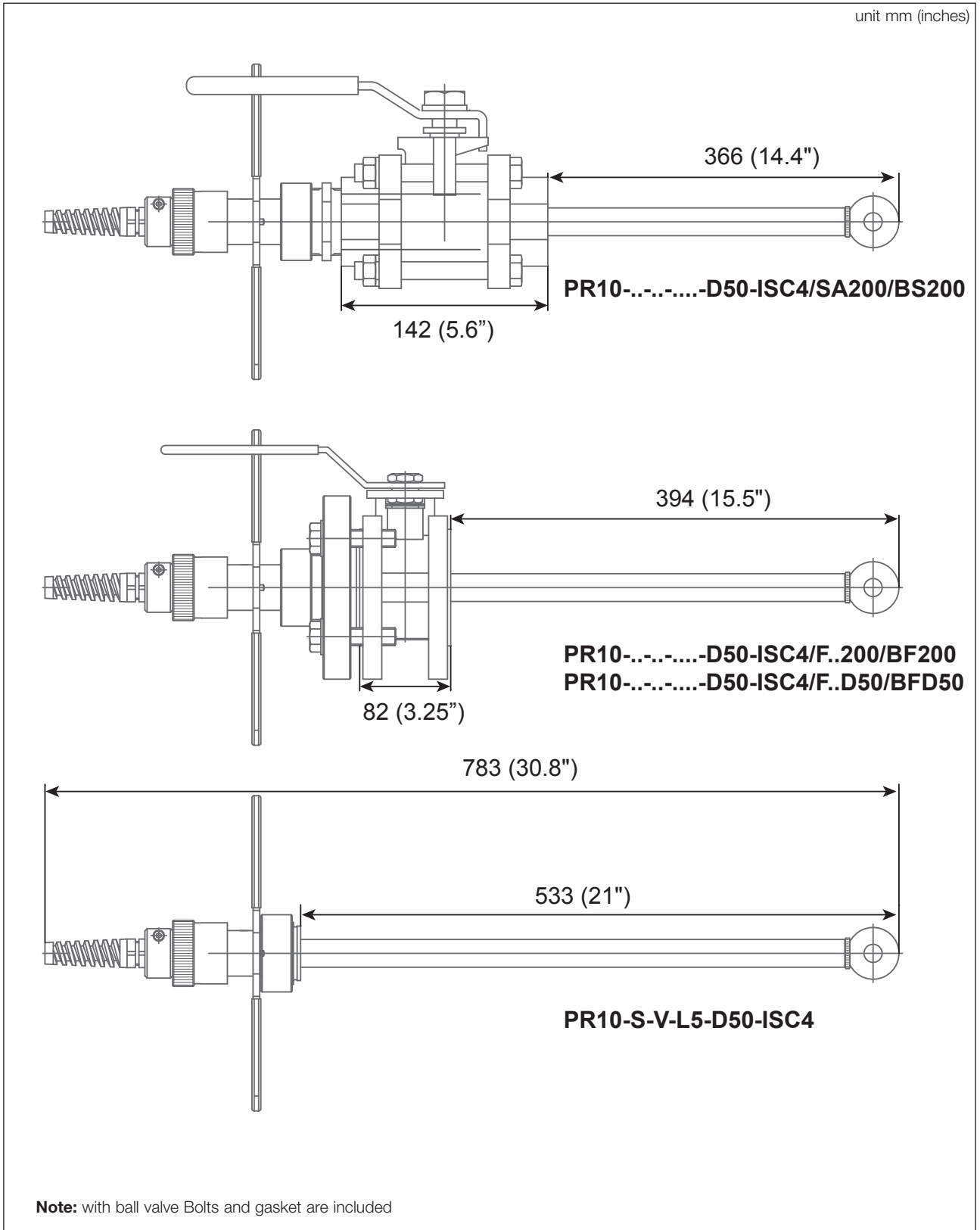
**Fig. 2 ISC40-GR**

**Table 2 Model and suffix codes**

Model	Suffix	Option	Description
<b>PR10</b>			<b>Retractable Conductivity Fitting 19 mm</b>
Fitting	-S		SS Type AISI 316
O-ring	-V		Viton O-ring sealing
Tube length	-L5		0.5 meter tube length
Connection	-D50		DN50 / 2" mounting
Sensor adapter for	-ISC4		ISC40
Screw-in adapters (SS AISI 316)		/SA200	ISO 228/1 G2 to 2" M-NPT
Flange adapters (SS AISI 316)		/FA200	Flange adapter drain 2" 150 lbs
		/FN200	Flange adapter no drain 2" 150 lbs
		/FAD50	Flange adapter drain DN50 PN10
		/FND50	Flange adapter no drain DN50 PN10
Weld-in adapter (SS AISI 316)		/WA200	Straight weld-in adapter ISO 228/1 G2
Ball valves (SSI AISI 316)		/BF200	Flanged ball valve 2" 150 lbs
		/BFD50	Flanged ball valve DN50 PN10
		/BS200	Screw-in ball valve 2" F-NPT
Certificate		/M	3.1 according EN 10024 for wetted metal parts

**\*Note:** With a ball valve, either a screw-in or flanged adapter is required  
**Note:** Please order the K1525AF O-ring pick-up tool for maintenance purposes

**Dimensions**



**Fig. 3 Dimensional drawing PR10...-D50 with mounted ISC40 sensor**

Options PR10

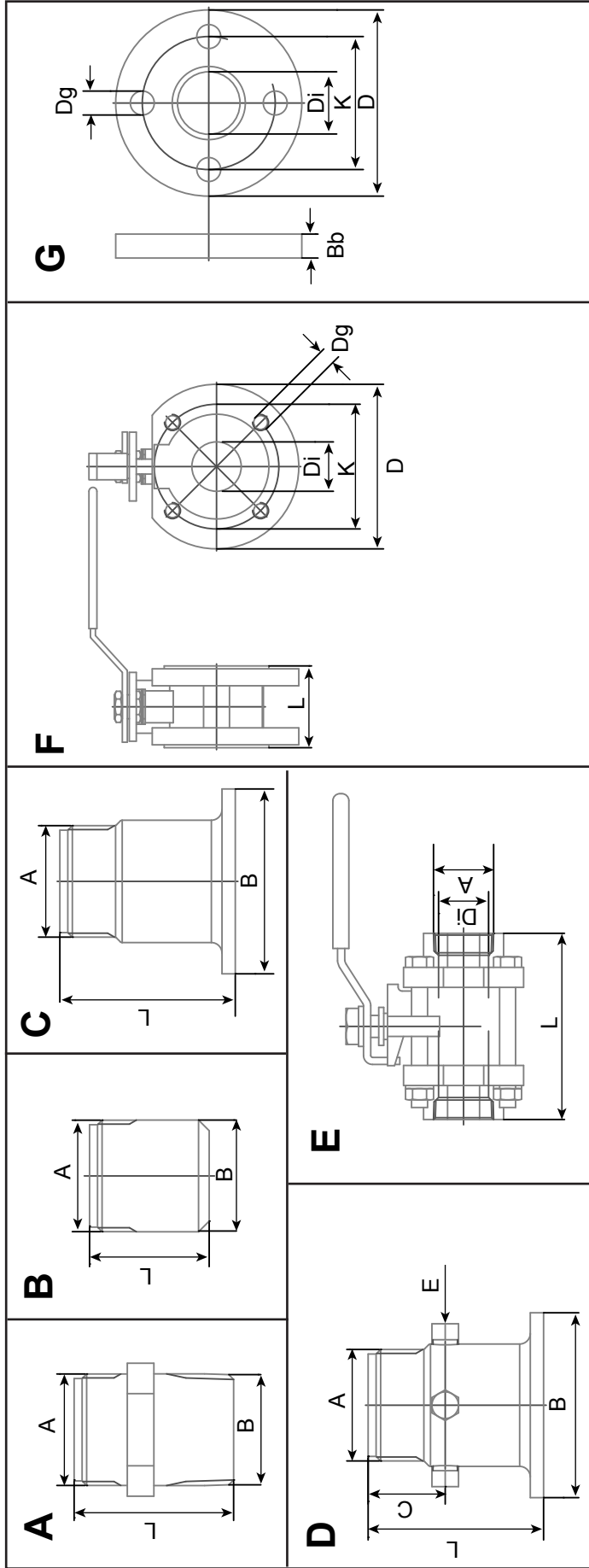


FIG. 4 Dimensions of the PR10 options

Table 3 Dimensions options in mm (inches)

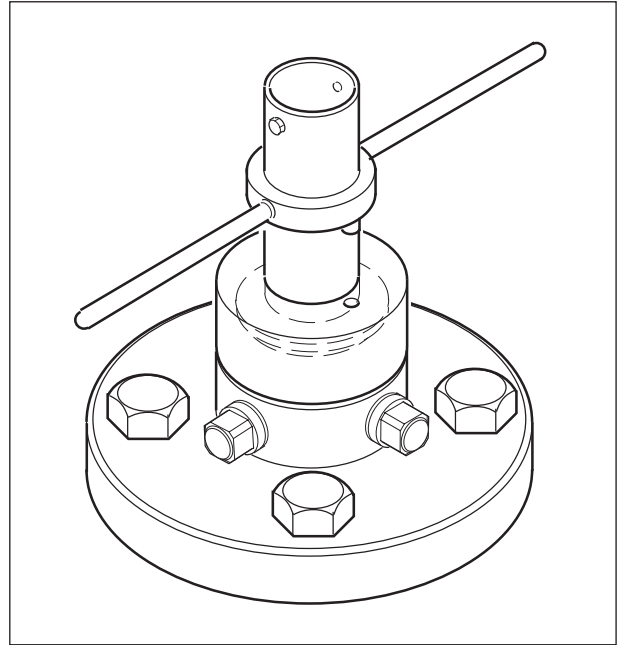
Option	Description	Fig.	A	B	L	C	Bb	D	E	Di	Dg	K
/SA200	ISO 228/1 G2 to 2" M-NPT	A	ISO 228/1 - G2	2" NPT	58 (2.3)	32 (1.3)	25 (1)	165 (6.5)	1/8" NPT	73 (2.9)	19 (0.7)	120-125 (4.7)-(4.9)
/FA200	Flange adapter drain 2" 150 Lbs	D, G	ISO 228/1 - G2	101 (4)	77 (3)	32 (1.3)	25 (1)	165 (6.5)	1/8" NPT	73 (2.9)	19 (0.7)	120-125 (4.7)-(4.9)
/FN200	Flange adapter no drain 2" 150 Lbs	C, G	ISO 228/1 - G2	101 (4)	54 (2.1)	32 (1.3)	25 (1)	165 (6.5)	1/8" NPT	73 (2.9)	19 (0.7)	120-125 (4.7)-(4.9)
/FAD50	Flange adapter drain DN50 PN10	D, G	ISO 228/1 - G2	101 (4)	77 (3)	32 (1.3)	25 (1)	165 (6.5)	1/8" NPT	73 (2.9)	19 (0.7)	120-125 (4.7)-(4.9)
/FND50	Flange adapter no drain DN50 PN10	C, G	ISO 228/1 - G2	101 (4)	54 (2.1)	32 (1.3)	25 (1)	165 (6.5)	1/8" NPT	73 (2.9)	19 (0.7)	120-125 (4.7)-(4.9)
/WA200	Straight weld-in adapter ISO 228/1 G2	B	ISO 228/1 - G2	49 (1.9)	45 (1.8)			150 (5.9)		50 (2)	M16	121 (4.8)
/BF200	Ball-valve flanged 2" 150 Lbs	F	2" NPT		82 (3.2)			165 (6.5)		50 (2)	M16	125 (4.9)
/BFD50	Ball-valve flanged DN50 PN10	F	2" NPT		82 (3.2)					50 (2)	M16	
/BS200	Ball-valve screw-in 2" F-NPT	E	2" NPT		142 (5.6)					50 (2)		

**Table 4 Spareparts**

K1525AP	Adapter SC4A - ISC40
K1525AA	Outer tube
K1525AF	O-ring pick up tool
K1525BB	O-ring set PR10-S-V-L5-D50
K1525BC	Key set
K1525BD	Squeezing set
K1525BE	Set M16 bolt & washer (8 pcs)
K1525BF	Set M14 bolt & washer (8 pcs)
K1525BG	Gaskets ball valves - D50 + 2"
K1525YD	PR10/FA200 - FAD50
K1525YE	PR10/FN200 - FND50
K1525YJ	PR10/WA200
K1525YL	PR10/BF200
K1525YN	PR10/BFD50
K1525YQ	PR10/BS200
K1541EM	Adapter 2" NPT-G2 SS (ISC40PR/B)

**Drain port connection**

The PR10 retractable fitting can be equipped with optional drain (or flush) ports on the flanged adapter. The drain ports are tapered 1/8" NPT female for small diameter connectors.

**Fig. 5 Drain Port Connection**



**YOKOGAWA ELECTRIC CORPORATION**

**World Headquarters**

9-32, Nakacho 2-chome, Musashino-shi  
Tokyo 180-8750  
Japan

[www.yokogawa.com](http://www.yokogawa.com)

**YOKOGAWA CORPORATION OF AMERICA**

2 Dart Road  
Newnan GA 30265  
USA

[www.yokogawa.com/us](http://www.yokogawa.com/us)

**YOKOGAWA EUROPE B.V.**

Euroweg 2  
3825 HD Amersfoort  
The Netherlands

[www.yokogawa.com/eu](http://www.yokogawa.com/eu)

**YOKOGAWA ELECTRIC ASIA Pte. LTD.**

5 Bedok South Road  
Singapore 469270  
Singapore

[www.yokogawa.com/sg](http://www.yokogawa.com/sg)

**YOKOGAWA CHINA CO. LTD.**

3F Tower D Cartelo Crocodile Building  
No.568 West Tianshan Road Changing District  
Shanghai, China

[www.yokogawa.com/cn](http://www.yokogawa.com/cn)

**YOKOGAWA MIDDLE EAST B.S.C.(c)**

P.O. Box 10070, Manama  
Building 577, Road 2516, Busaiten 225  
Muharraq, Bahrain

[www.yokogawa.com/bh](http://www.yokogawa.com/bh)

Yokogawa has an extensive sales and distribution network. Please refer to the European website ([www.yokogawa.com/eu](http://www.yokogawa.com/eu)) to contact your nearest representative.



**YOKOGAWA** ◆