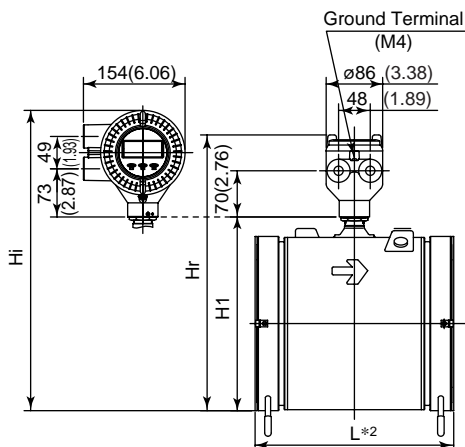


# Drawings

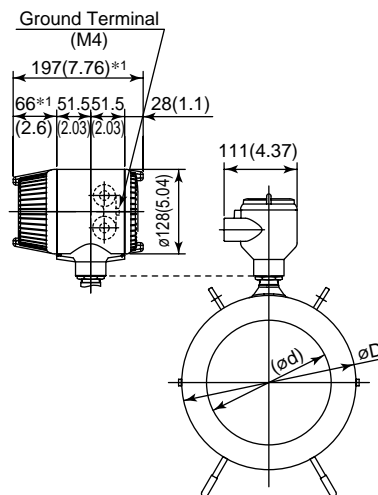
## AXF150, AXF200 AXF Integral Flowmeter/Remote Flowtube AXF Standard (Wafer) Ceramics Lining



Integral Flowmeter    Remote Flowtube



Integral Flowmeter    Remote Flowtube



Unit : mm  
(approx. inch)

Fig06E.EPS

\*No infla-red switches are furnished for Fieldbus communication type.

### Model code:

AXF150G — D<sup>\*4</sup> E 1  
AXF200C — F 2 C E 1 □ — A □ □ 1  
G N  
N P

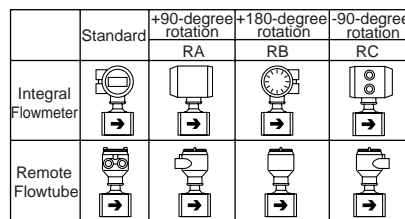
\*4: D, E, F, G; Integral Flowmeter, N, P: Remote Flowtube

Model	Size code		150	200
	Size		150(6)	200(8)
	Lining code		C	C
Remote Flowtube	Face-to-face length	L <sup>*2</sup>	232(9.13)	302(11.89)
	Outside dia.	∅D	214(8.43)	264(10.39)
Integral Flowmeter	Inner diameter of Grounding ring	∅d	144(5.67)	192(7.56)
	Height	H1	254(10.00)	304(11.97)
	Max. Height	Hr	378(14.88)	428(16.85)
Remote Flowtube	Weight kg (lb)		20.2(44.5)	33.5(73.9)
	Max. Height	Hi	416(16.36)	466(18.33)
Integral Flowmeter	Weight kg (lb)		21.9(48.3)	35.2(77.6)

Lining code : C; Ceramics

TD04E.EPS

\* When option code RA, RB, or RC is selected, the direction of electrical connection change as below.



F19-1E.EPS

\*1: When indicator code N is selected, subtract 12mm(0.47inch) from the value in the figure. In case of explosion proof type with indicator, add 5 mm (0.2 inch) to it.

\*2: Depending on the selection of grounding ring code and optional code, add the following value to L(face-to-face length).

Grounding Ring Code	S, L, H, V	P, T	N
L(Face-to-face length)	+0	+30(1.18)	-6(0.24)

Unless otherwise specified, difference in the dimensions are specified as : General tolerance = ± (Criteria of tolerance class IT18 in JIS B0401) / 2

## Integral Flowmeter

### BRAIN/HART Communication Type

#### Terminal configuration

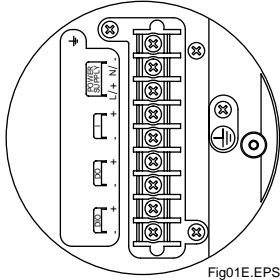


Fig01E.EPS

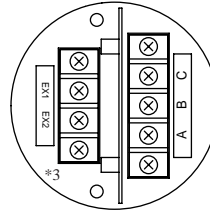
#### Terminal wiring

Terminal Symbols	Description
	Functional grounding
N/- L/+	Power supply
I+ I-	Current output 4 to 20mA DC
DO+ DO-	Pulse output/Alarm output/ Status output
DIO+ DIO-	Alarm output/Status output Status input
	Protective grounding (Outside of the terminal)

Fig01-2E.EPS

## Remote Flowtube

#### Terminal configuration



\*3: In case of explosion proof type, (functional grounding terminal) is added.

Fig02E.EPS

#### Terminal wiring

Terminal Symbols	Description
A B C	Flow signal output
EX1 EX2	Excitation current input
	Protective grounding (Outside of the terminal)

### FOUNDATION Fieldbus/PROFIBUS PA Communication type

#### Terminal configuration

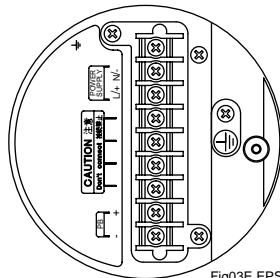


Fig03E.EPS

#### Terminal wiring

Terminal Symbols	Description
	Functional grounding
N/- L/+	Power supply
FB+ FB-	Fieldbus communication signal
	Protective grounding (Outside of the terminal)

Fig01-3E.EPS