

NEMA-32

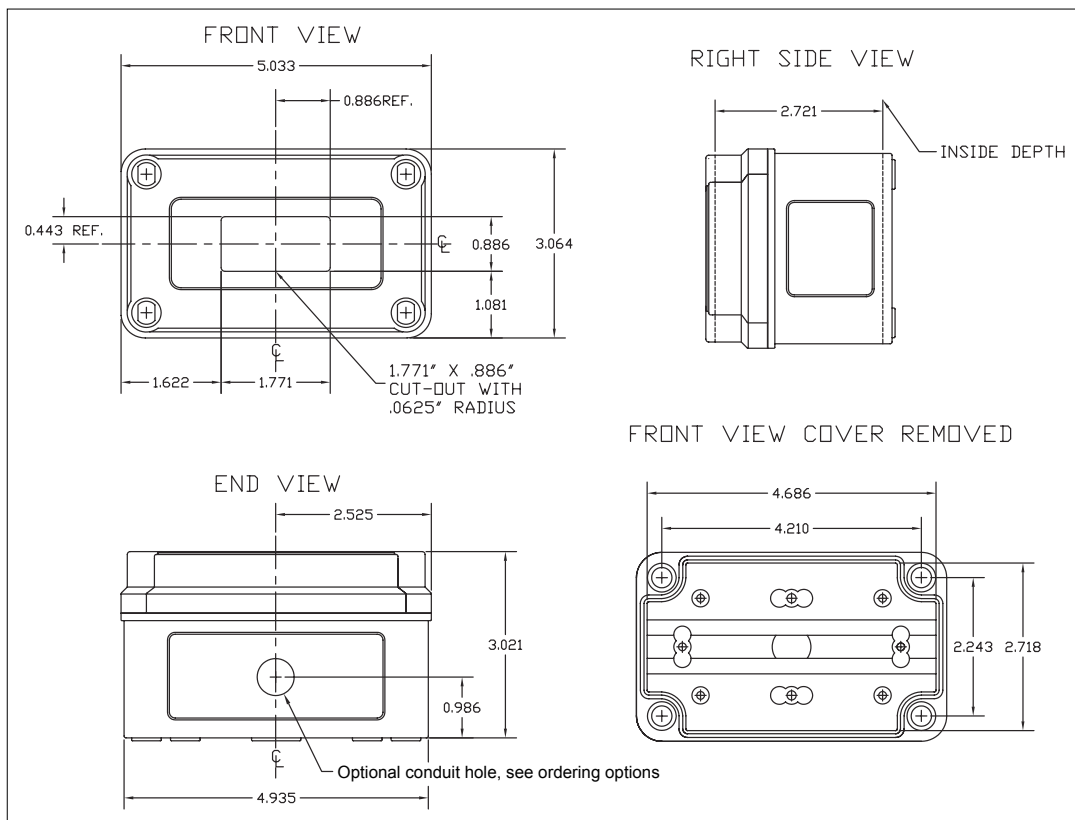
Low Cost NEMA 4X Housing for 1/32 DIN Size Units

FEATURES:

- Made of impact and corrosive resistant VELOX®, RAL 7035
- Molded internal bosses for back panel, component mounting and DIN-rails
- NEMA4X / IP66 Rating
- UL 508 and CSA Type 4, 4X, 3, 3R, 12, 13 Rating
- Temperature resistance: Base and opaque cover to +248°F (120°C) per UL 746B. Polycarbonate cover -40°F (40°C) to +248° (120°C)
- Non-Metallic cover screws
- Continuously poured polyurethane gasket
- Cover and bases meet with tongue and groove design for tight seal



Dimensions



Ordering Information:

Part Number:

NEMA-32 - for all 1/32 DIN products

Options:

- H2 - 0.875" Hole for Hub fitting
- HF2 - 0.5" Female NPT Hub fitting
- 2H2 - Two 0.875" Holes for Hub fittings
- 2HF2 - Two 0.5" Female NPT Hub fittings
- H3 - Three 0.84" Holes for Hub fittings



KESSLER-ELLIS PRODUCTS 10 Industrial Way East, Eatontown, NJ 07724
800-631-2165 • 732-935-1320 • Fax 732-935-9344 • <http://www.kep.com>