



more sensors, more solutions

INTUSB485-LH Serial Adapter

For Use with L-GAGE LH Series Sensors

Features

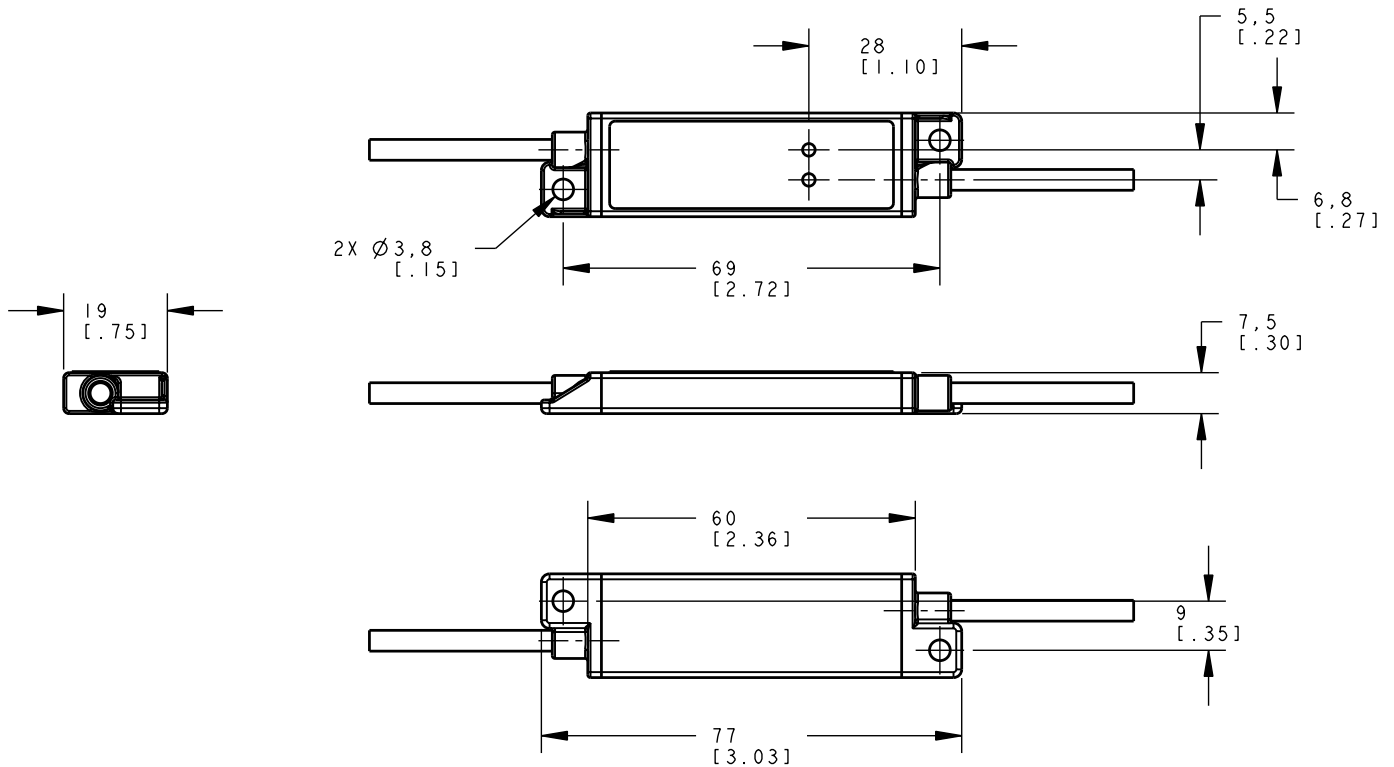


- Connects a Windows PC USB port to an L-GAGE LH Series Sensor
- Supports baud rates up to 230,400 baud
- Converts USB to RS-485 (2-wire) with a Euro-style connector
- Supports the 32-bit and 64-bit (x86/x64) versions of XP, Vista, and Windows 7

INTUSB485-LH Adapter

Model	Adapter	Length
INTUSB485-LH	RS-485 to USB	.75 meter

Dimensions



Specifications

Input Power 5V dc from USB port	USB Standard 2.0	RS-485 2-wire
Current Less than 25 mA at the PC	Operating Parameters -40 to +80° C 0–95% Non-condensing humidity	RS-485 Connector Euro-style connector
USB Connector USB type A plug		



NOTE: The USB driver software (P/N 156440) is available on the LH Series Configurator installation CD (P/N 13597). You can also find the driver software on the Banner Engineering Web site (<http://www.bannerengineering.com>).

Cable/Connector Wiring

	Pin	Color	Description
2	1	White	No Connect
7	2	Brown	No Connect
5 RS-485 GND	3	Shield	No Connect
6 RS-485 RX+/TX+	4	Yellow	RS-485 / D0 / A / -
4 RS-485 RX-/TX-	5	Grey	Ground of RS-485 bus
8	6	Green	RS-485 / D1 / B / +
1	7	Blue	No Connect
3	8	Shield	No Connect



WARNING: . . . Not To Be Used for Personnel Protection

Never use this product as a sensing device for personnel protection. Doing so could lead to serious injury or death. This product does NOT include the self-checking redundant circuitry necessary to allow its use in personnel safety applications. A sensor failure or malfunction can cause either an energized or deenergized sensor output condition. Consult your Banner Safety Products catalog for safety products that meet OSHA, ANSI and IEC standards for personnel protection.

Banner Engineering Corp Limited Warranty

Banner Engineering Corp. warrants its products to be free from defects in material and workmanship for one year following the date of shipment. Banner Engineering Corp. will repair or replace, free of charge, any product of its manufacture which, at the time it is returned to the factory, is found to have been defective during the warranty period. This warranty does not cover damage or liability for misuse, abuse, or the improper application or installation of the Banner product.

THIS LIMITED WARRANTY IS EXCLUSIVE AND IN LIEU OF ALL OTHER WARRANTIES WHETHER EXPRESS OR IMPLIED (INCLUDING, WITHOUT LIMITATION, ANY WARRANTY OF MERCHANTABILITY OR FITNESS FOR A PARTICULAR PURPOSE), AND WHETHER ARISING UNDER COURSE OF PERFORMANCE, COURSE OF DEALING OR TRADE USAGE.

This Warranty is exclusive and limited to repair or, at the discretion of Banner Engineering Corp., replacement. **IN NO EVENT SHALL BANNER ENGINEERING CORP. BE LIABLE TO BUYER OR ANY OTHER PERSON OR ENTITY FOR ANY EXTRA COSTS, EXPENSES, LOSSES, LOSS OF PROFITS, OR ANY INCIDENTAL, CONSEQUENTIAL OR SPECIAL DAMAGES RESULTING FROM ANY PRODUCT DEFECT OR FROM THE USE OR INABILITY TO USE THE PRODUCT, WHETHER ARISING IN CONTRACT OR WARRANTY, STATUTE, TORT, STRICT LIABILITY, NEGLIGENCE, OR OTHERWISE.**

Banner Engineering Corp. reserves the right to change, modify or improve the design of the product without assuming any obligations or liabilities relating to any product previously manufactured by Banner Engineering Corp.

