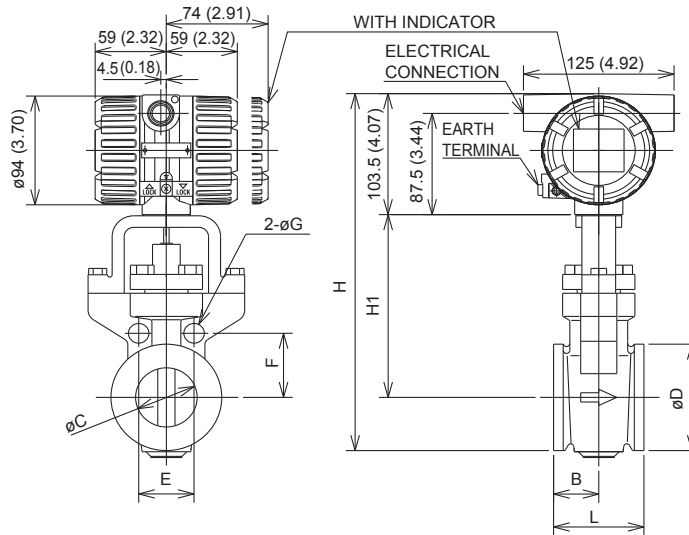


# Drawings

digitalYEWFLO Series Vortex Flowmeter    digitalYEWFLO  
Integral / Remote, Wafer  
[DY015, DY025, DY040, DY050, DY080, DY100]

SD 01F06A00-01EN

Unit : mm  
(approx. inch)



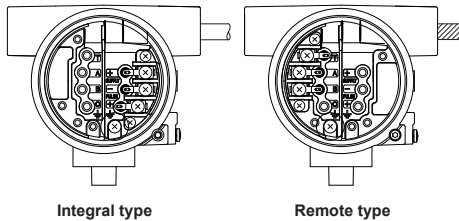
TYPE	INTEGRAL/REMOTE																				
MODEL CODE	DY015						DY025						DY040								
PROCESS CONNECTION	AJ1	AJ2	AJ4	AA1	AA2	AA4	AD1 to AD4	AJ1	AJ2	AJ4	AA1	AA2	AA4	AD1 to AD4	AJ1	AJ2	AJ4	AA1	AA2	AA4	AD1 to AD4
L	70 (2.76)						70 (2.76)						70 (2.76)								
B	35 (1.38)						35 (1.38)						35 (1.38)								
C	14.6 (0.57)						25.7 (1.01)						39.7 (1.56)								
D	35.1 (1.38)						50.8 (2.00)						73 (2.87)								
H	248 (9.76)						258 (10.16)						276 (10.87)								
H1	127 (5.00)						129 (5.08)						136 (5.35)								
E	49.5 (1.95)	49.5 (1.95)	56.6 (2.23)	42.7 (1.68)	47.1 (1.85)	47.1 (1.85)	46 (1.81)	63.6 (2.50)	63.6 (2.50)	67.2 (2.65)	56 (2.21)	62.9 (2.48)	62.9 (2.48)	60.1 (2.37)	74.2 (2.92)	74.2 (2.92)	84.9 (3.34)	69.7 (2.74)	80.8 (3.18)	80.8 (3.18)	77.8 (3.06)
F	24.7 (0.97)	24.7 (0.97)	28.3 (1.11)	21.4 (0.84)	23.5 (0.93)	23.5 (0.93)	23 (0.91)	31.8 (1.25)	31.8 (1.25)	33.6 (1.32)	28 (1.10)	31.4 (1.24)	31.4 (1.24)	30.1 (1.19)	37.1 (1.46)	37.1 (1.46)	42.4 (1.67)	34.8 (1.37)	40.4 (1.59)	40.4 (1.59)	38.9 (1.53)
G	13 (0.51)	13 (0.51)	17 (0.67)	14 (0.55)	14 (0.55)	14 (0.55)	13 (0.51)	17 (0.67)	17 (0.67)	17 (0.67)	14 (0.55)	17 (0.67)	17 (0.67)	13 (0.51)	17 (0.67)	17 (0.67)	21 (0.83)	17 (0.67)	20 (0.79)	20 (0.79)	17 (0.67)
WEIGHT kg (lb)	2.8 (6.2)						3.7 (8.2)						4.3 (9.5)								

TYPE	INTEGRAL/REMOTE																						
MODEL CODE	DY050						DY080						DY100										
PROCESS CONNECTION	AJ1	AJ2	AJ4	AA1	AA2	AA4	AD1 to AD4	AJ1	AJ2	AJ4	AA1	AA2	AA4	AD1 AD2	AD3 AD4	AJ1	AJ2	AJ4	AA1	AA2	AA4	AD1 AD2	AD3 AD4
L	75 (2.95)						100 (3.94)						120 (4.72)										
B	37.5 (1.48)						40 (1.57)						50 (1.97)										
C	51.1 (2.01)						71 (2.80)						93.8 (3.69)										
D	92 (3.62)						127 (5.00)						157.2 (6.19)										
H	307.5 (12.11)						342 (13.47)						372 (14.65)										
H1	158 (6.22)						175 (6.89)						190 (7.48)										
E	(Note 3)	45.9 (1.81)	49.8 (1.96)	(Note 3)	48.6 (1.91)	48.6 (1.91)	(Note 3)	57.4 (2.26)	61.2 (2.41)	65.1 (2.56)	(Note 3)	64.4 (2.54)	64.4 (2.54)	61.2 (2.41)	61.2 (2.41)	67 (2.64)	70.8 (2.79)	78.5 (3.09)	72.9 (2.87)	76.6 (3.02)	82.6 (3.25)	68.9 (2.71)	72.7 (2.86)
F	(Note 3)	55.4 (2.18)	60.1 (2.36)	(Note 3)	58.7 (2.31)	58.7 (2.31)	(Note 3)	69.3 (2.73)	73.9 (2.91)	78.5 (3.09)	(Note 3)	77.7 (3.06)	77.7 (3.06)	73.9 (2.91)	73.9 (2.91)	80.8 (3.18)	85.5 (3.37)	94.7 (3.73)	88 (3.46)	92.5 (3.64)	99.7 (3.93)	83.1 (3.27)	87.8 (3.46)
G	(Note 3)	17 (0.67)	17 (0.67)	(Note 3)	17 (0.67)	17 (0.67)	(Note 3)	17 (0.67)	21 (0.83)	21 (0.83)	(Note 3)	20 (0.79)	20 (0.79)	17 (0.67)	17 (0.67)	17 (0.67)	21 (0.83)	23 (0.91)	17 (0.67)	20 (0.79)	23 (0.91)	17 (0.67)	21 (0.83)
WEIGHT kg (lb)	6.0 (13.2)						9.4 (20.7)						12.8 (28.2)										

(Note 1) Integral weight is the same as Remote.  
(Note 2) In case of with Indicator, add 0.2kg.  
(Note 3) The holes are not provided.  
(Note 4) The flow direction is opposite (right to left when facing onto indicator) in case of code/CRC.

## Terminal Wiring

Integral Type (BRAIN or HART protocol)	SUPPLY + } Power Supply and - } 4 to 20mA DC Output Terminals
	PULSE + } Pulse Output Terminals
Integral Type (Foundation Fieldbus)	SUPPLY + } Fieldbus Communication SUPPLY - } Terminals
Remote Type Detector	T Built-in Temperature Sensor Terminal
	A } Signal Output Terminals
	B } Common Terminal
	≡ Grounding Terminal



\* Use DYC signal cable for remote type.  
\* T is used for /MV only.