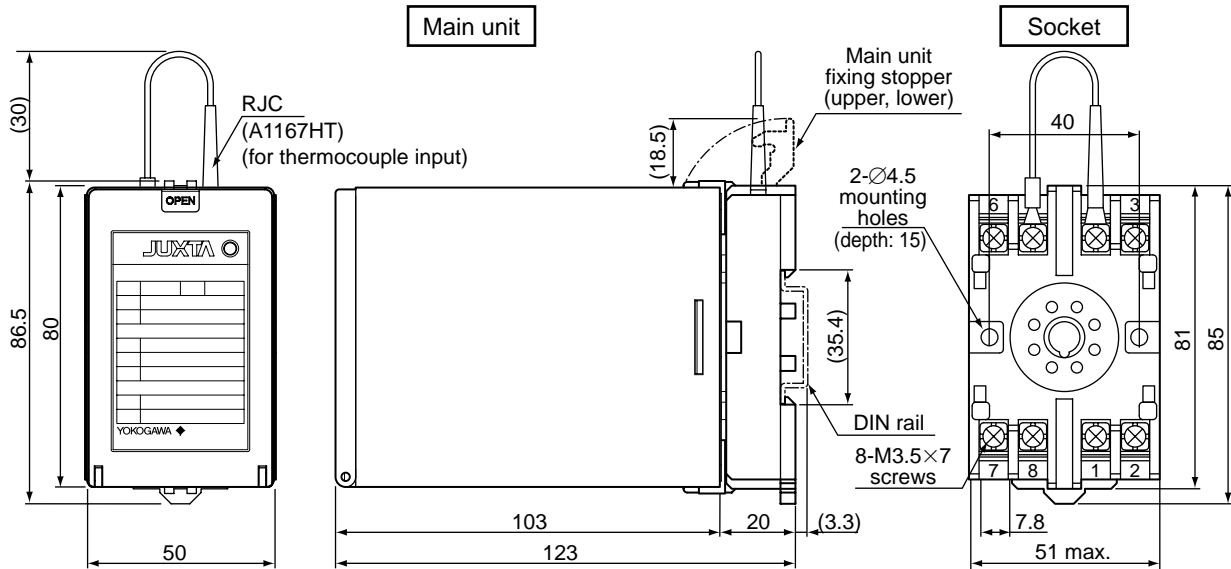


SD 77J04U05-01E

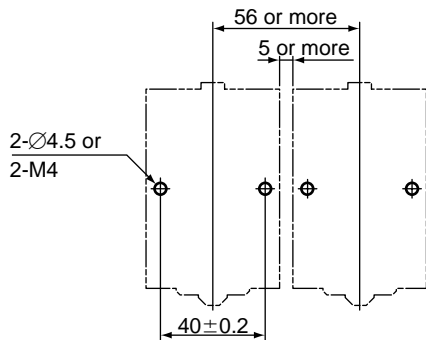
External Dimension

Unit: mm



Mounting Dimensions

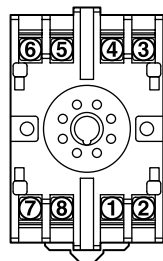
Unit: mm



Note:

- When mounting the units close together, leave a space of at least 5mm between them.
- Use the supplied spacer to keep a space of 5 mm for DIN rail mounting.

Terminal Assignments



Terminal No.	Signal name	Thermocouple	RTD	mV signal
1	OUTPUT		(+)	
2	OUTPUT		(-)	
3	INPUT	(+)	(A)	(+)
4	INPUT	(-) [RJC]	(B)	(-)
5	INPUT	RJC reverse side	(B)	N.C
6	GND		(GND)	
7	SUPPLY		(L+)	
8	SUPPLY		(N-)	