

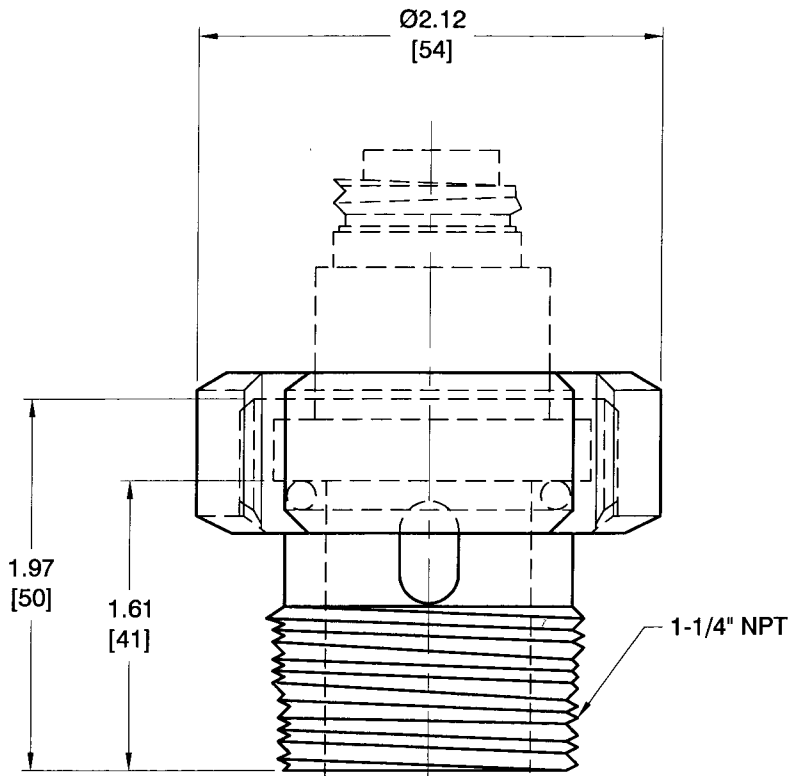
FS40-F22-TP
CONDUCTIVITY INSERTION HOLDER
PVDF 1 1/4" NPT TAPERED PIPE THREAD

UNITS:
IN [MM]

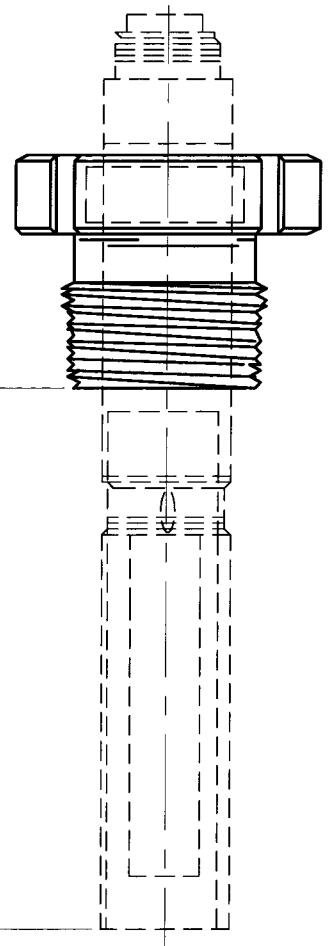
YOKOGAWA 

2 DART ROAD

NEWNAN, GEORGIA 30256



FS40-S22-TP
(316 SS)



IMMERSION LENGTH
VARIES WITH
SENSOR SELECTED

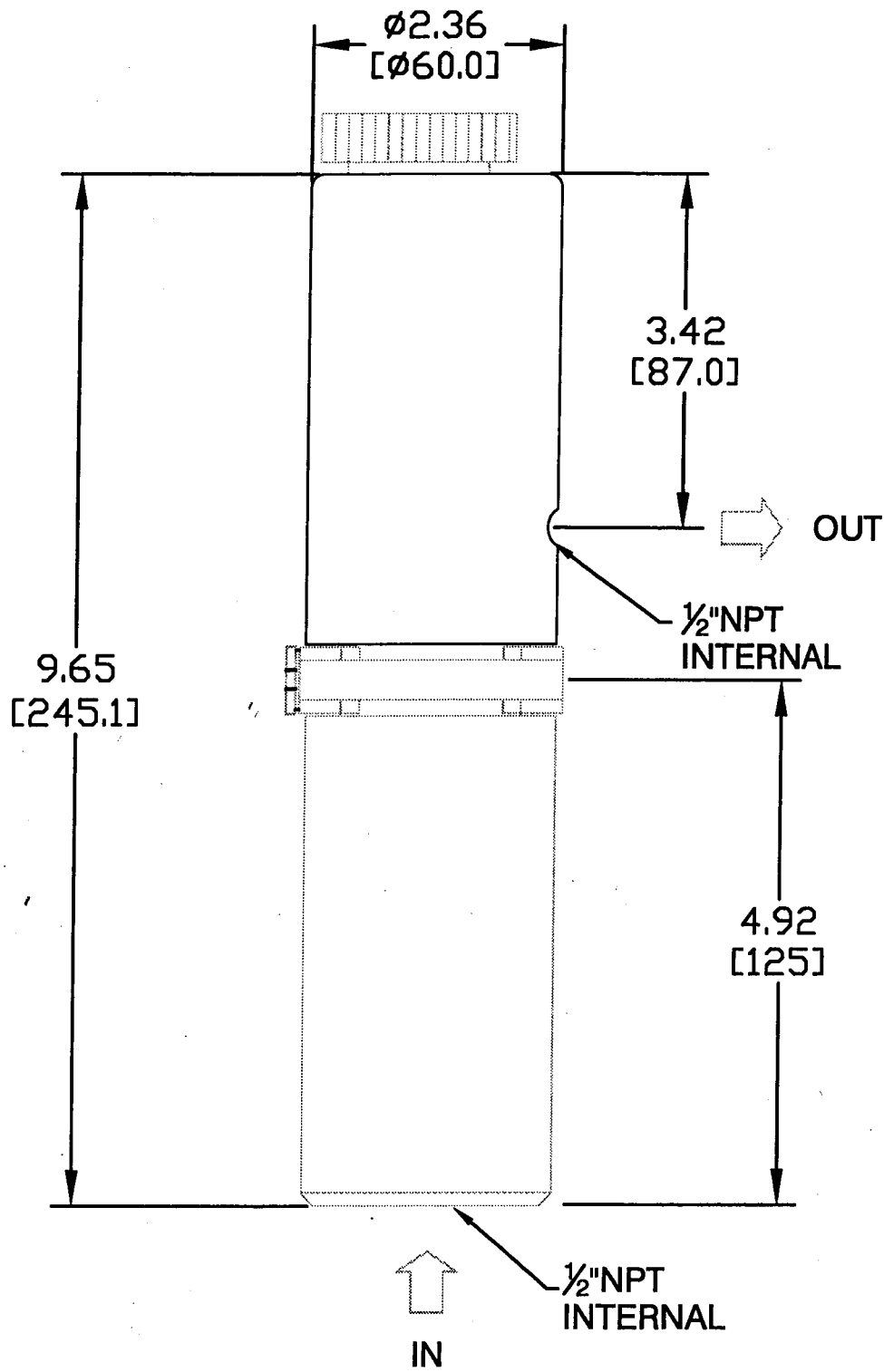
FS40-S22-TP
CONDUCTIVITY INSERTION HOLDER
316SS 1 1/4" NPT TAPERED PIPE THREAD

UNITS:
IN [MM]

YOKOGAWA 

2 DART ROAD

NEWMAN, GEORGIA 30265



FF40-V22
 CONDUCTIVITY FLOW THRU HOLDER PVC

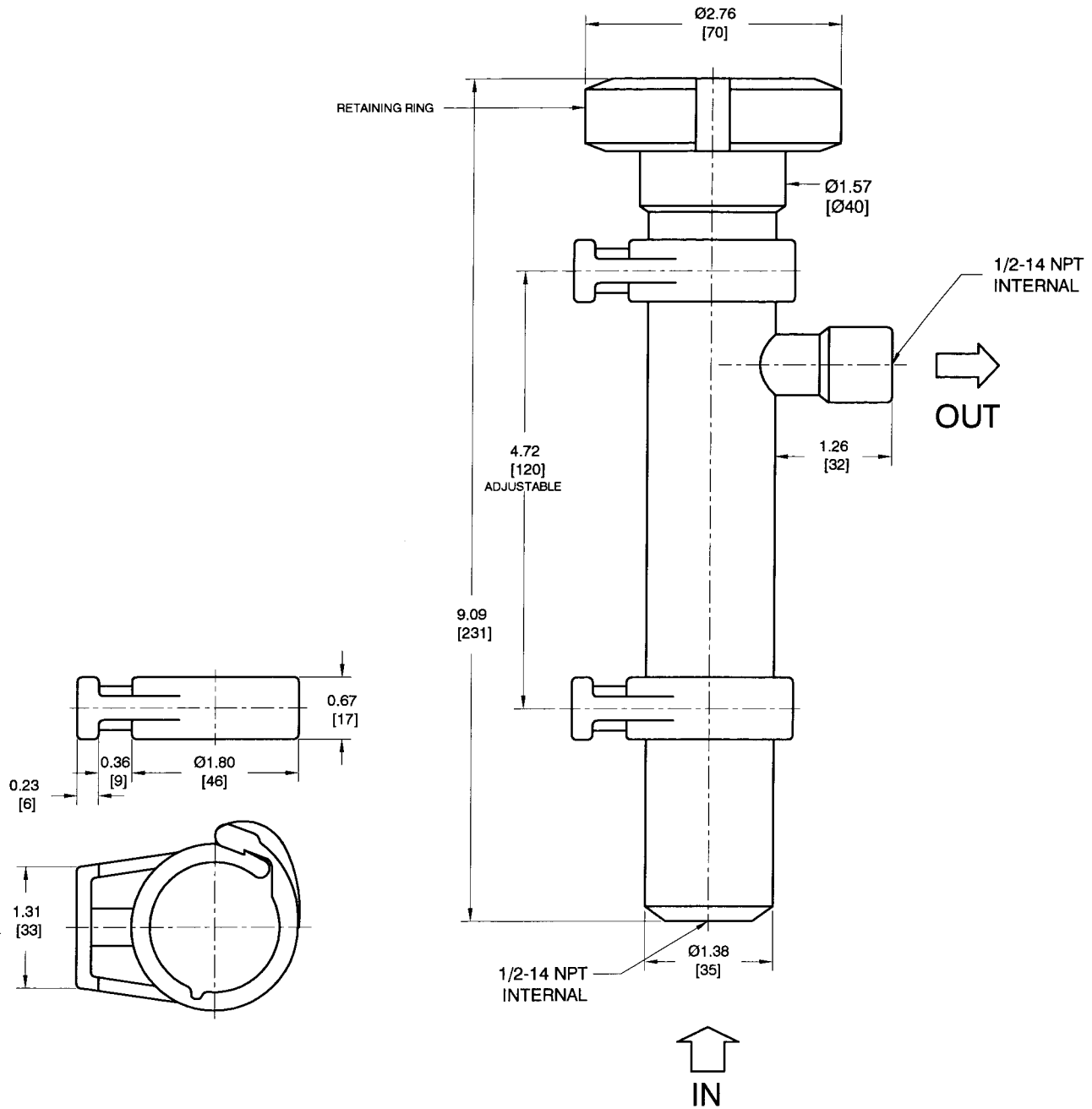
UNITS:
 IN [MM]

YOKOGAWA



4-13407-01/00

NEWBORN, GEORGIA 30251



FF40-S22
CONDUCTIVITY FLOW THRU HOLDER 316 SS

UNITS:
IN [MM]

YOKOGAWA ◆

2 DART ROAD

NEWNAN, GEORGIA 30265