

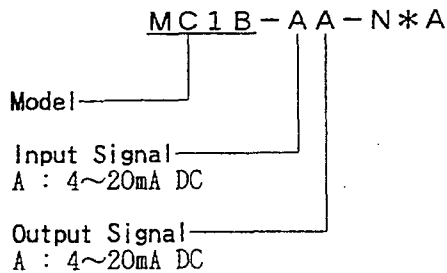
General Specifications

MODEL MC1B Loop Powered Isolator

JUXTA

This loop powered Isolator inputs 4~20mA DC signal and outputs 4~20mA DC signal.

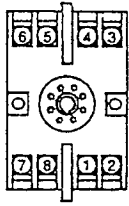
- Two channels type



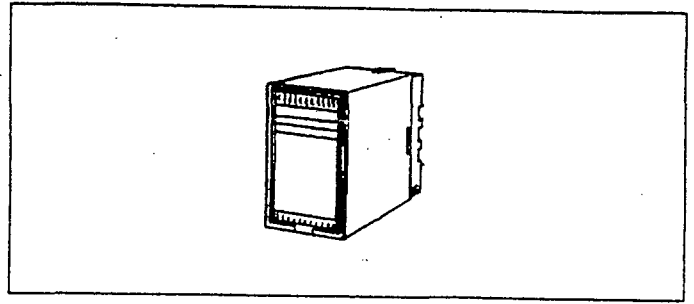
ORDERING INFORMATION Model Code : (Example) MC1B-AA-N*A

Input & Output Specifications	
Input Signal	4~20mA DC
Input Resistance	250Ω + secondary side load resistance (Ω)
Permissible applying voltage	30V DC
Output Signal	4~20mA DC
Permissible Load Resistance	50~300Ω
Output Resistance	More than 100kΩ
Standard Performance	
Accuracy Rating	±0.1% of span
Response Speed	10ms 63% response (10~90%)
Insulation Resistance	More than 100MΩ (at 500V DC) between input~output
Withstand Voltage	1500V AC/1 minute between input~output and between channels
Temperature Range	0~50℃
Humidity Range	5~90%RH
Effect of Temperature Change	Less than ±0.2% of span for 10℃ change
Mounting, Shape & Accessories	
Material	Case ABS plastic
Mounting Method	Rack, wall and DIN rail mountings (More than 5mm interval is required for access mounting)
Connecting Method	M3.5 screw terminal
External Dimension	80x50x123mm (HxWxD)
Weight	Body : Abt. 250g Socket : Abt. 60g
Accessories	Spacer 1 (Use for DIN rail mounting)

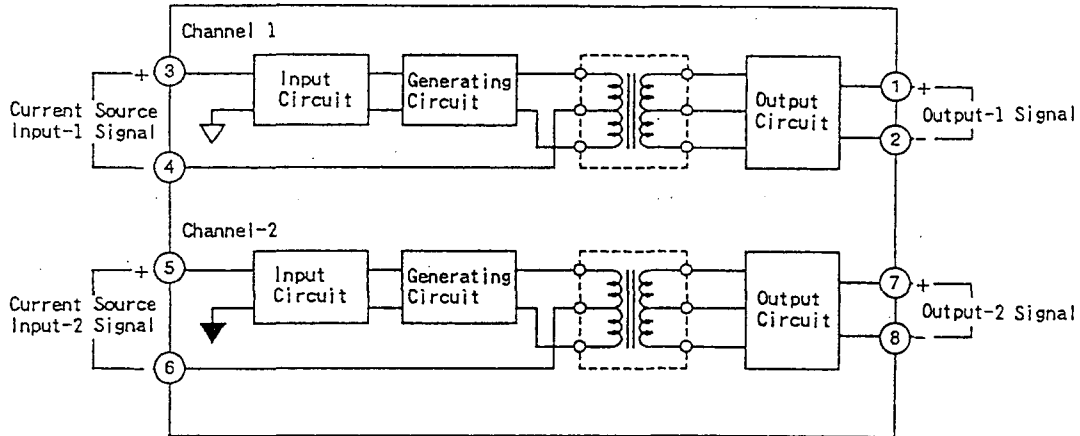
TERMINAL ARRANGEMENT



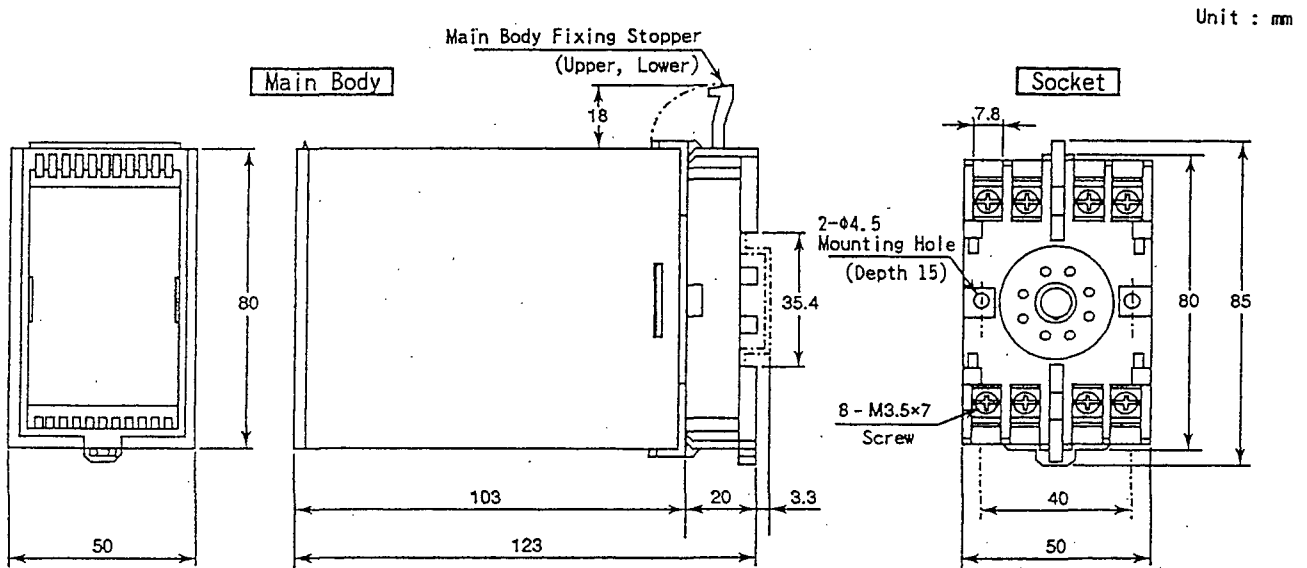
1	C	OUTPUT (+)
2	H	OUTPUT (-)
3	1	INPUT (+)
4		INPUT (-)
5	C	INPUT (+)
6	H	INPUT (-)
7	2	OUTPUT (+)
8		OUTPUT (-)



BLOCK DIAGRAM



EXTERNAL DIMENSION



Subject to change without notice for grade up quality and performance