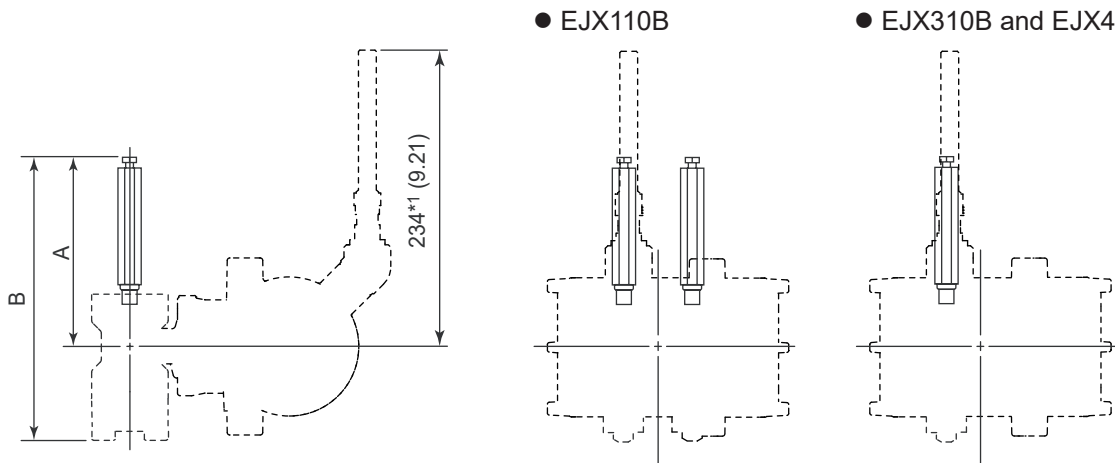


### SD 01C27B13-01EN

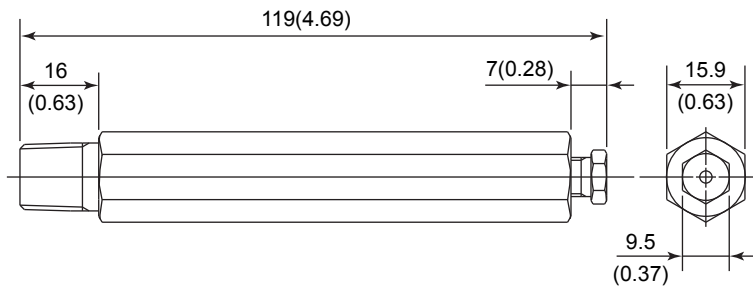
Unit: mm (approx. inch)



\*1: When amplifier housing code 8 is selected, the value is 234 mm (9.21 inch). When amplifier housing code 9 is selected, the value is 114 mm (4.49 inch). In both cases, the figures are shown as A or B accordingly.

Model	Dimensions A		Dimensions B	
	Option code /U1	Option code /U1, /K1, /K2, /K5, or /K6	Option code /U1	Option code /U1, /K1, /K2, /K5, or /K6
EJX110B, EJX310B, and EJX430B (Wetted Parts Material Code: S except for Measurement span code: F or option code /HD, /HD2)	149(5.87)	160(6.3)	223(8.78)	234(9.21)
EJX110B and EJX430B (Wetted Parts Material Code: H, M, T, A, B, D, Measurement span code: F or option code /HD, /HD2)	154(6.06)	165(6.5)	233(9.17)	244(9.61)

#### ● Long vent plug



#### ● Long vent plug for oil-prohibited use (when combined with Option code K1, K2, K5, or K6)

