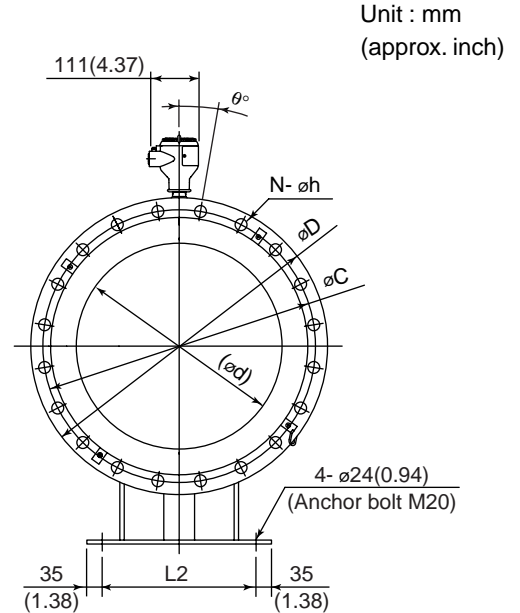
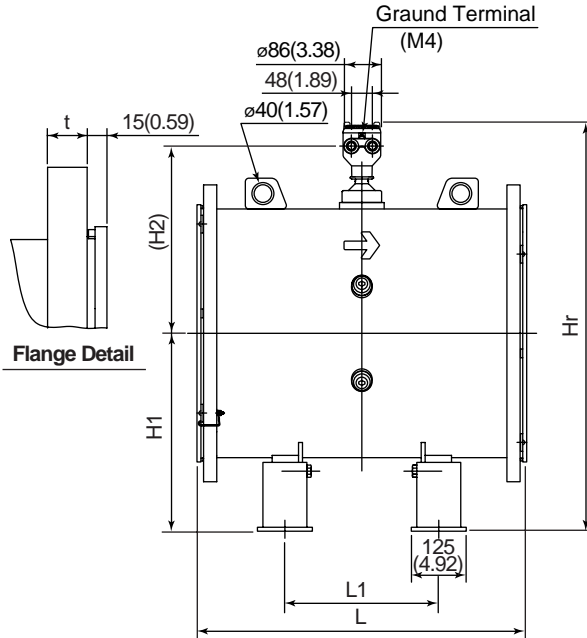


### AXF Remote Flowtube AXF Standard (ANSI/DIN Flange) Polyurethane Rubber Lining



Unit : mm  
(approx. inch)

#### Model Code

AXF500

AXF600

AXF700G — N N U L 1 S — C A 1 1

AXF800W — C D 1 1

AXF900

AXF10L

F01.EPS

Model	Process Connection	CA1(ANSI Class 150)		CD1(DIN PN10)						
	Size code	500	600	500	600	700	800	900	10L	
	Size	500 (20)	600 (24)	500 (20)	600 (24)	700 (28)	800 (32)	900 (36)	1000 (40)	
	Lining code	U	U	U	U	U	U	U	U	
Remote Flowtube	Face-to-face length	L	750 (29.53)	800 (31.50)	750 (29.53)	800 (31.50)	900 (35.43)	1050 (41.34)	1200 (47.24)	1300 (51.18)
	Support interval	L1	350 (13.78)	400 (15.75)	350 (13.78)	400 (15.75)	450 (17.72)	550 (21.65)	700 (27.56)	800 (31.50)
	Mounting bolt interval	L2	350 (13.78)	400 (15.75)	350 (13.78)	400 (15.75)	500 (19.69)	550 (21.65)	650 (25.59)	700 (27.56)
	Outside dia.	øD	698.5 (27.50)	812.8 (32.00)	670 (26.38)	780 (30.71)	895 (35.24)	1015 (39.96)	1115 (43.90)	1230 (48.43)
	Thickness	t	42.9 (1.69)	47.7 (1.88)	28 (1.10)	28 (1.10)	30 (1.18)	32 (1.26)	34 (1.34)	34 (1.34)
	Inner diameter of Grounding ring	ød	468 (18.43)	563 (22.17)	468 (18.43)	563 (22.17)	665 (26.18)	765 (30.12)	855 (33.66)	942 (37.09)
	Pitch circle dia.	øC	635 (25.00)	749.3 (29.50)	620 (24.41)	725 (28.54)	840 (33.07)	950 (37.40)	1050 (41.34)	1160 (45.67)
	Bolt hole interval	θ°	9	9	9	9	7.5	7.5	6.4	6.4
	Hole dia.	øh	31.7 (1.25)	35 (1.38)	26 (1.02)	30 (1.18)	30 (1.18)	33 (1.30)	33 (1.30)	36 (1.42)
	Number of holes	N	20	20	20	20	24	24	28	28
	Height	H1	450 (17.72)	500 (19.69)	450 (17.72)	500 (19.69)	550 (21.65)	600 (23.62)	650 (25.59)	700 (27.56)
	Height	H2	426 (16.77)	474 (18.66)	426 (16.77)	474 (18.66)	529 (20.83)	584 (22.99)	633 (24.92)	682 (26.85)
	Max. Height	Hr	930 (36.61)	1028 (40.47)	930 (36.61)	1028 (40.47)	1133 (44.61)	1238 (48.74)	1337 (52.64)	1436 (56.54)
Weight kg (lb)*1		360 (793.7)	450 (992.1)	253 (557.8)	382 (842.2)	490 (1080.3)	659 (1452.8)	844 (1860.7)	1160 (2557.4)	

Lining code: U; Polyurethane Rubber

\*1: When submersible type or option code DHC is selected, waterproof glands and a 30m long cable are attached.

Add 9.5kg(20.9lb) to the weight in the table.

T01.EPS

#### Remote Flowtube Terminal configuration

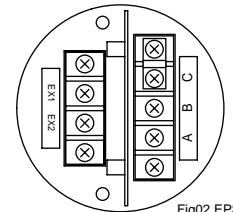


Fig02.EPS

#### Terminal wiring

Terminal Symbols	Description
A B C	Flow signal output
EX1 EX2	Excitation current input
	Protective grounding (Outside of the terminal)

Fig02-2.EPS

Unless otherwise specified, difference in the dimensions are specified as : General tolerance = ± (Criteria of tolerance class IT18 in JIS B0401) / 2