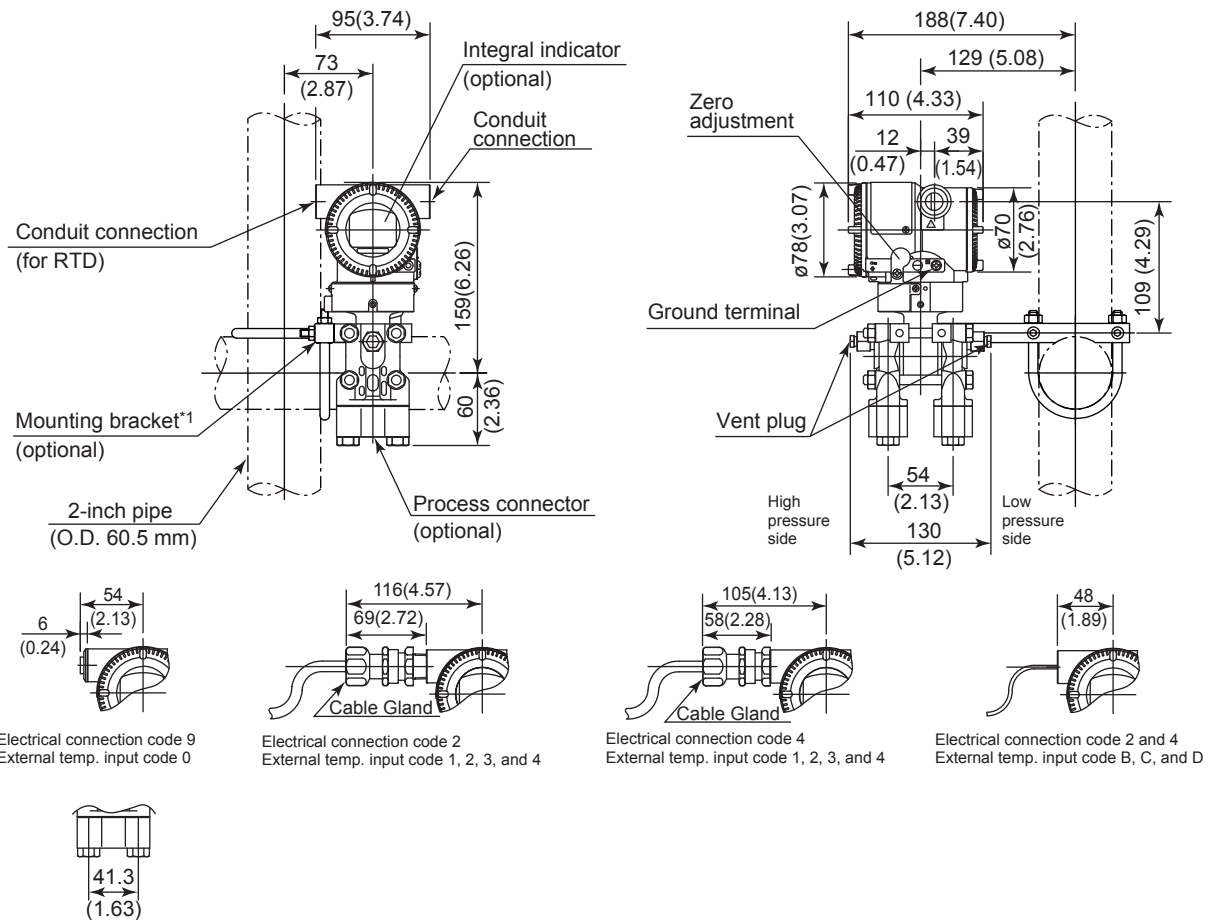


Unit: mm (approx. inch)

● Bottom Process Connection (Installation code B)

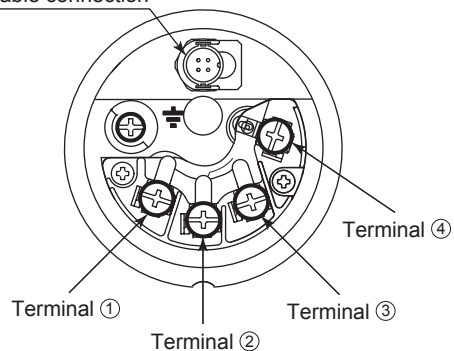


\*1: A transmitter with SST housing is not applicable for mounting to horizontal 2-inch pipe.


\*2: When electrical connection code 7 or C is selected, a blind plug is protruded up to 8 mm from the conduit connection.

- Terminal Configuration

RTD cable connection




- Terminal Wiring  
(HART and FOUNDATION Fieldbus protocol types)

SUPPLY	+	①	] Power supply and output terminals
	-	②	
CHECK	+	③	] External indicator (ammeter) terminals *1*2
	-	②	
PULSE	+	④	] Pulse or status contact output terminals *2
	-	②	
			Ground terminal

\*1: When using an external indicator or check meter, the internal resistance must be 10Ω or less.

\*2: Not available for FOUNDATION Fieldbus communication type.

- Terminal Wiring  
(Modbus protocol type)

SUPPLY	+	①	] Power supply terminals
	-	②	
MODBUS	A	③	] Modbus communication (RS-485) terminals
	B	④	
			Ground terminal