

Drawings

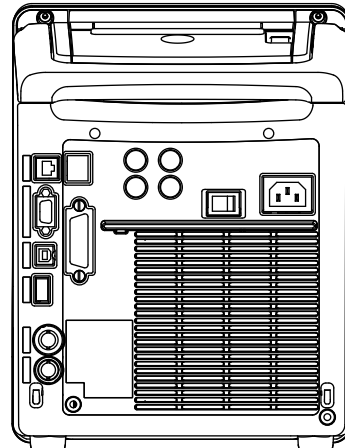
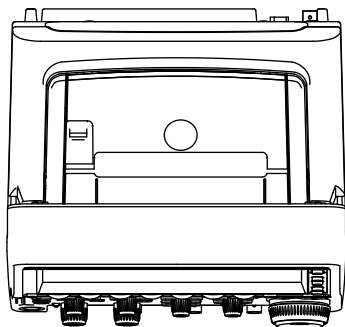
Model 710105/ 710110/ 710115/
710120/ 710125/ 710130

DLM2000

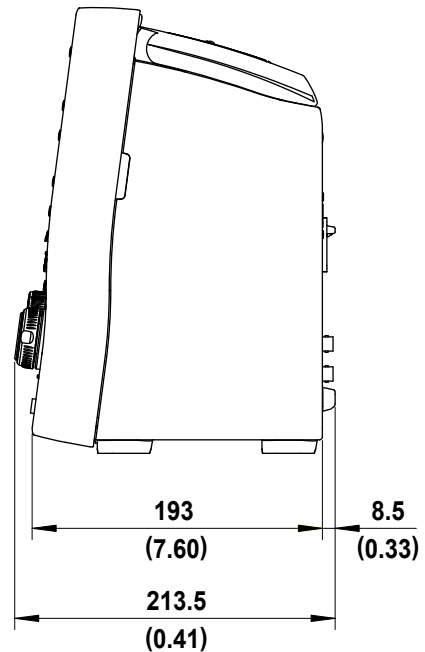
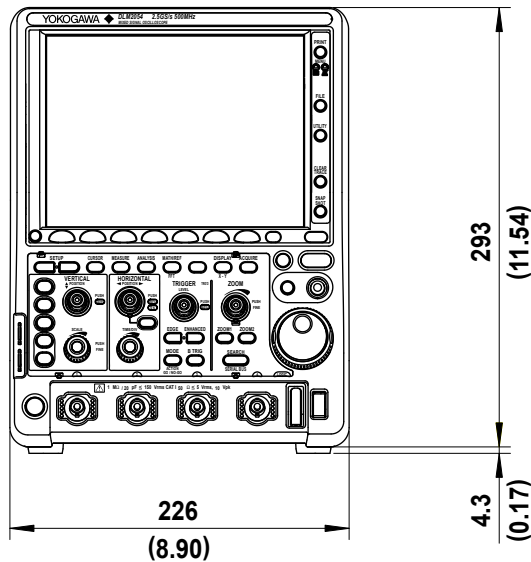
DLM2000

Mixed Signal/ Digital Oscilloscope

Unit : mm
(approx. inch)



REAR VIEW



If not specified, the tolerance is $\pm 3\%$. However, in cases of less than 10 mm, the tolerance is ± 0.3 mm.