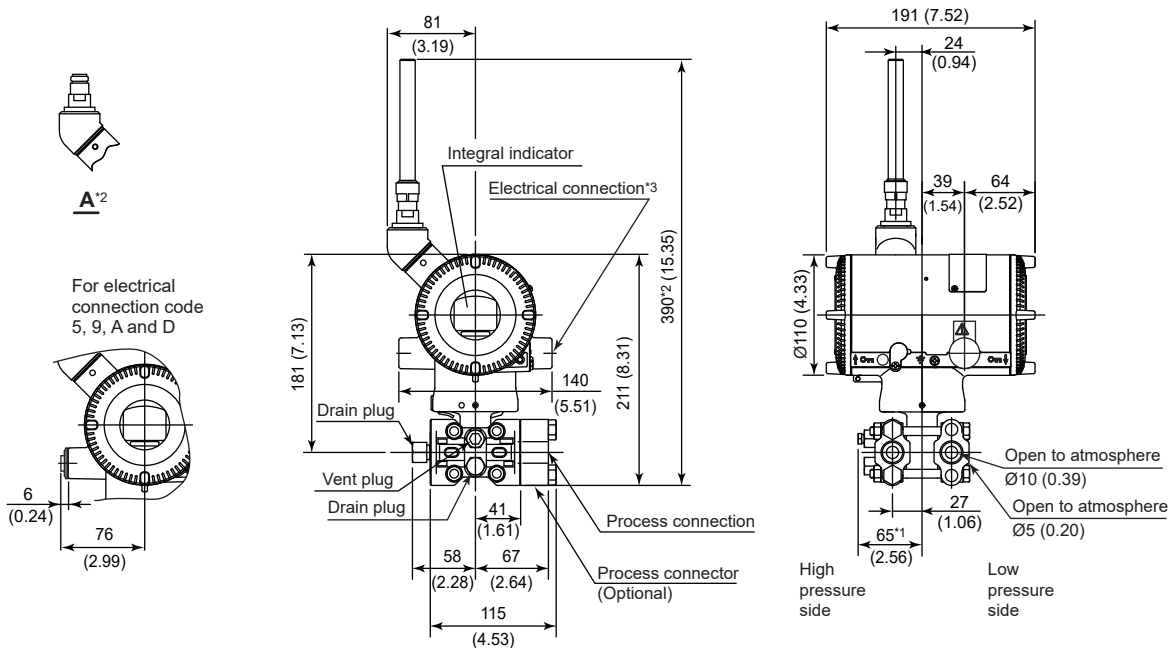


Unit: mm (approx. inch)

● Universal flange type (Installation code -U)



*1: When option code K1, K2, K5, or K6 is selected, add 15 mm (0.59 inch) to the value in the figure.

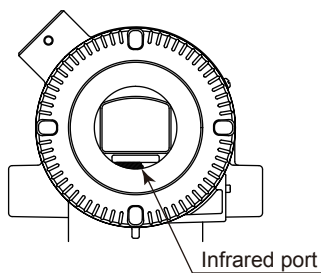
*2: When amplifier housing code 9 is selected, the value is 270 mm (10.63 inch).

In this case, the figure is shown as A.

*3: Applicable for the external powered type.

*4: When electrical connection code 7 or C is selected, a blind plug is protruded upto 8 mm from the electrical connection.

● Infrared Configuration



● Terminal Configuration for the External Powered type

