



Pressure Switch



www.fine-tek.com



SQ24 SPST TYPE



TYPE	SQ245 Series			SQ246 Series			SQ24U Series		
Hex length	24mm			24mm			24mm		
Body material	Zinc-Plated Steel ROHS			SUS316			Brass		
Wiring	Screw	Push-on	Spade Terminal	Screw	Push-on	Spade Terminal	Screw	Push-on	Spade Terminal
Contact rating (Max.)	4A/ 50Vdc, 4A/ 250Vac			4A/ 50Vdc, 4A/ 250Vac			4A/ 50Vdc, 4A/ 250Vac		
Response frequency	2Hz			2Hz			2Hz		
Max. Voltage peak	1.5KV (IEC60947-2)			1.5KV (IEC60947-2)			1.5KV (IEC60947-2)		
Electric insulation	100MΩ(IEC60092-54 section3)			100MΩ(IEC60092-54 section3)			100MΩ(IEC60092-54 section3)		
Membrane materials/ Operation temperature	NBR(Standard)	-10~100°C		NBR(Standard)	-10~100°C		NBR(Standard)	-10~100°C	
	VITON	-10~100°C		VITON	-10~100°C		VITON	-10~100°C	
	EPDM	-10~100°C		EPDM	-10~100°C		EPDM	-10~100°C	
	NBR(Low Temp.)	-30~100°C		NBR(Low Temp.)	-30~100°C		NBR(Low Temp.)	-30~100°C	
	VITON(Low Temp.)	-30~100°C		VITON(Low Temp.)	-30~100°C		VITON(Low Temp.)	-30~100°C	
	EPDM(Low Temp.)	-30~100°C		EPDM(Low Temp.)	-30~100°C		EPDM(Low Temp.)	-30~100°C	
Pressure range	0.2~99bar (≤20bar with UL certification)			0.2~99bar (≤20bar with UL certification)			0.2~99bar (≤20bar with UL certification)		
Piping selection	M10*1 (taper) M10*1, M12*1.5 PT1/8", PT1/4" G1/8", G1/4" NPT 1/8", NPT 1/4"			M10*1 (taper) M10*1, M12*1.5 PT1/8", PT1/4" G1/8", G1/4" NPT 1/8", NPT 1/4"			M10*1 (taper) M10*1, M12*1.5 PT1/8", PT1/4" G1/8", G1/4" NPT 1/8", NPT 1/4"		
Contact model	NO, NC			NO, NC			NO, NC		
Protection	IP67 (IEC 60529)			IP67 (IEC 60529)			IP67 (IEC 60529)		
Mechanical life	1.5X10 ⁶ cycles (in 50 bar)			1.5X10 ⁶ cycles (in 50 bar)			1.5X10 ⁶ cycles (in 50 bar)		
Screw torque	<0.35Nm			<0.35Nm			<0.35Nm		
Shock resistance	ISO / IEC 17025, Half Sine Wave, Acceleration: 30G@14ms, ±X, ±Y, ±Z axis			ISO / IEC 17025, Half Sine Wave, Acceleration: 30G@14ms, ±X, ±Y, ±Z axis			ISO / IEC 17025, Half Sine Wave, Acceleration: 30G@14ms, ±X, ±Y, ±Z axis		
Vibration resistance	ISO / IEC 17025, Sine Wave, 5-200 Hz, Acceleration: 10G, Displacement: 16 mm, Sweeping Rate: 1 Oct/ min, Test Direction: X, Y, Z axis, Test Time: 1hr for each			ISO / IEC 17025, Sine Wave, 5-200 Hz, Acceleration: 10G, Displacement: 16 mm, Sweeping Rate: 1 Oct/ min, Test Direction: X, Y, Z axis, Test Time: 1hr for each			ISO / IEC 17025, Sine Wave, 5-200 Hz, Acceleration: 10G, Displacement: 16 mm, Sweeping Rate: 1 Oct/ min, Test Direction: X, Y, Z axis, Test Time: 1hr for each		

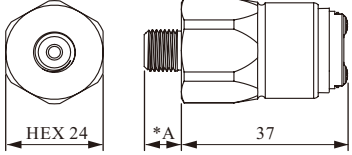
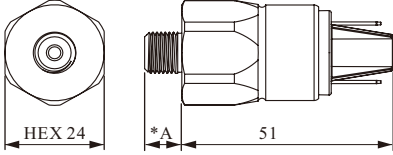
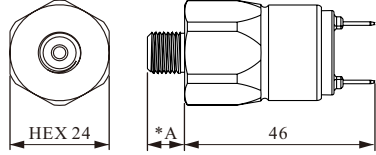
Feature
<ul style="list-style-type: none"> ■ Robust In Any Severe Application ■ Customized Body Housing (steel, Sus316, Brass) ■ Selectable Contact (Gold Contact or Silver Contact) ■ Screw / Push-on Terminal Contact Selectable ■ High Quality And Cost Effective ■ Adjustable Pressure Range Setting

Application
<ul style="list-style-type: none"> ■ Pressure Detection For Automobile Braking System ■ Pressure Control For Piping System ■ Hydraulic Detection For Fire Fighting System ■ Hydraulic Industry ■ Lubrication System ■ Sprinkler System ■ Air Compressor ■ Medical Equipment ■ Tire Manufacturing

ORDER INFORMATION

Product Dimension

SQ245/ 246/ 24U Series

Screw:  **Push-on:**  **Spade:** 

*A 9mm: M10*1 taper, M10, G1/8", PT1/8", NPT 1/8" 12mm: M12*1.5, G1/4", PT1/4", NPT 1/4"

(Unit: mm)

SQ24 Series Field Adjustable Pressure

※ ≤20bar with UL certification

Pressure range	Tolerance	Connection	
0.2~0.9bar	± 0.1 bar	M10X1 (taper)	SQ24 □-RS1 □-M1-□-□
		M10X1	SQ24 □-RS1 □-M0-□-□
		M12X1.5	SQ24 □-RS1 □-M2-□-□
		1/8"PT	SQ24 □-RS1 □-1Q-□-□
		1/4"PT	SQ24 □-RS1 □-2Q-□-□
		1/8"G	SQ24 □-RS1 □-1V-□-□
		1/4"G	SQ24 □-RS1 □-2V-□-□
		1/8"NPT	SQ24 □-RS1 □-1U-□-□
1~9.9bar	± 0.5 bar	1/4"NPT	SQ24 □-RS1 □-2U-□-□
		M10X1 (taper)	SQ24 □-RL1 □-M1-□-□
		M10X1	SQ24 □-RL1 □-M0-□-□
		M12X1.5	SQ24 □-RL1 □-M2-□-□
10~19bar	± 5%	1/8"PT	SQ24 □-RL1 □-1Q-□-□
		1/4"PT	SQ24 □-RL1 □-2Q-□-□
		1/8"G	SQ24 □-RL1 □-1V-□-□
		1/4"G	SQ24 □-RL1 □-2V-□-□
20~49bar	± 5%	1/8"NPT	SQ24 □-RL1 □-1U-□-□
		1/4"NPT	SQ24 □-RL1 □-2U-□-□
		M10X1 (taper)	SQ24 □-RM1 □-M1-□-□
		M10X1	SQ24 □-RM1 □-M0-□-□
		M12X1.5	SQ24 □-RM1 □-M2-□-□
		1/8"PT	SQ24 □-RM1 □-1Q-□-□
		1/4"PT	SQ24 □-RM1 □-2Q-□-□
		1/8"G	SQ24 □-RM1 □-1V-□-□
50~99bar	± 5%	1/4"G	SQ24 □-RM1 □-2V-□-□
		1/8"NPT	SQ24 □-RM1 □-1U-□-□
		1/4"NPT	SQ24 □-RM1 □-2U-□-□
		M10X1 (taper)	SQ24 □-RH1 □-M1-□-□
		M10X1	SQ24 □-RH1 □-M0-□-□
		M12X1.5	SQ24 □-RH1 □-M2-□-□
		1/8"PT	SQ24 □-RH1 □-1Q-□-□
		1/4"PT	SQ24 □-RH1 □-2Q-□-□
1/8"G	SQ24 □-RH1 □-1V-□-□		
1/4"G	SQ24 □-RH1 □-2V-□-□		
1/8"NPT	SQ24 □-RH1 □-1U-□-□		
1/4"NPT	SQ24 □-RH1 □-2U-□-□		

SQ24 Series Fixed Pressure

※ ≤20bar with UL certification

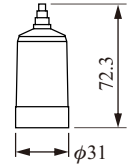
Connection	
M10X1 (taper)	SQ□□ □-□□□□-□-□-□-□
M10X1	SQ□□ □-□□□□-□-□-□-□
M12X1.5	SQ□□ □-□□□□-□-□-□-□
1/8"PT	SQ□□ □-□□□□-1Q-□-□-□
1/4"PT	SQ□□ □-□□□□-2Q-□-□-□
1/8"G	SQ□□ □-□□□□-1V-□-□-□
1/4"G	SQ□□ □-□□□□-2V-□-□-□
1/8"NPT	SQ□□ □-□□□□-1U-□-□-□
1/4"NPT	SQ□□ □-□□□□-2U-□-□-□

Body Material	5: Zinc-Plated steel 6: SUS316 U: Brass
Pressure	□□□ = 0 X 2 = 0.2Bar □□□ = 1 X 1 = 1.1Bar □□□ = 0 0 5 = 5Bar □□□ = 0 5 0 = 50Bar (0.2~0.9Bar) Tolerance 0.1Bar (1~9.9Bar) Tolerance 0.5Bar (10~99Bar) Tolerance 5%
Contact Form	A: NO B: NC
Diaphragm Material	N: NBR D: EPDM V: VITON R: NBR(Low Temp.) T: EPDM(Low Temp.) U: VITON(Low Temp.)
Wiring	W: Screw P: Push-on E: Spade Terminal

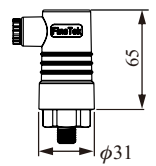
Body Material	5: Zinc-Plated Steel 6: SUS316 U: Brass
Contact Form	A: NO B: NC
Diaphragm Material	N: NBR D: EPDM V: VITON R: NBR(Low Temp.) T: EPDM(Low Temp.) U: VITON(Low Temp.)
Wiring	W: Screw P: Push-on E: Spade Terminal

Option:

Body Protect Cover: SQA-1130
Material: NBR
Protection Grade: IP67



Body Protect Cover: SQB-1136
Material: Nylon
Protection Grade: IP67
★ Only SQ24 Push-on Type to use.



To comply with CE, SQ24 series need to add anti-dust cover. (SQA-1130, SQB-1136)

SQ24 HIGH PRESSURE SPST TYPE



TYPE	SQ245 Series	SQ246 Series
Hex Length	24mm	24mm
Body Material	Zinc-Plated Steel ROHS	SUS316
Wiring	Screw Push-on Spade Terminal	Screw Push-on Spade Terminal
Contact rating (Max.)	4A/ 50Vdc, 4A/ 250Vac	4A/ 50Vdc, 4A/ 250Vac
Response Frequency	2Hz	2Hz
Max. Voltage Peak	1.5KV (IEC60947-2)	1.5KV (IEC60947-2)
Electric Insulation	100MΩ(IEC60092-54 section3)	100MΩ(IEC60092-54 section3)
Operation Temperature	-10°C ~100°C (IEC 60068-2-2)	-10°C ~100°C (IEC 60068-2-2)
Pressure Range	100~300bar	100~300bar
Pressure Acting Variation	± 5% full set point range @20°C	± 5% full set point range @20°C
Piping Selection	M10*1 (taper) M10*1, M12*1.5 PT1/8", PT1/4" G1/8", G1/4" NPT 1/8", NPT 1/4"	M10*1 (taper) M10*1, M12*1.5 PT1/8", PT1/4" G1/8", G1/4" NPT 1/8", NPT 1/4"
Contact Model	NO, NC	NO, NC
Body Protection	IP00 (IEC 60529)	IP00 (IEC 60529)
Protection	IP67 (IEC 60529)	IP67 (IEC 60529)
Mechanical Life	1.5X10 ⁶ cycles (in 50 bar)	1.5X10 ⁶ cycles (in 50 bar)
Screw Torque	<0.35Nm	<0.35Nm
Shock Resistance	ISO / IEC 17025, Half Sine Wave, Acceleration: 30G@14ms, ±X, ±Y, ±Z axis	ISO / IEC 17025, Half Sine Wave, Acceleration: 30G@14ms, ±X, ±Y, ±Z axis
Vibration Resistance	ISO / IEC 17025, Sine Wave, 5-200 Hz, Acceleration: 10G, Displacement: 16 mm, Sweeping Rate: 1 Oct/ min, Test Direction: X, Y, Z axis, Test Time: 1hr for each	ISO / IEC 17025, Sine Wave, 5-200 Hz, Acceleration: 10G, Displacement: 16 mm, Sweeping Rate: 1 Oct/ min, Test Direction: X, Y, Z axis, Test Time: 1hr for each

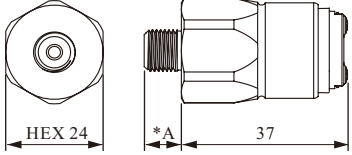
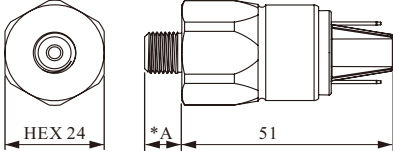
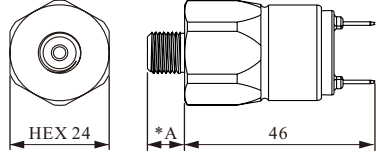
Feature
<ul style="list-style-type: none"> ■ Robust In Any Severe Application ■ Customized Body Housing (steel, Sus316, Brass) ■ Selectable Contact (Gold Contact or Silver Contact) ■ Screw / Push-on Terminal Contact Selectable ■ High Quality And Cost Effective ■ Adjustable Pressure Range Setting

Application
<ul style="list-style-type: none"> ■ Pressure Detection For Automobile Braking System ■ Pressure Control For Piping System ■ Hydraulic Detection For Fire Fighting System ■ Hydraulic Industry ■ Lubrication System ■ Sprinkler System ■ Air Compressor ■ Medical Equipment ■ Tire Manufacturing

ORDER INFORMATION

Product Dimension

SQ245/ 246/ 24U Series

Screw:  **Push-on:**  **Spade:** 

*A
37
*A
51
*A
46

HEX 24
HEX 24
HEX 24

9mm: M10*1 taper, M10, G1/8", PT1/8", NPT 1/8"
12mm: M12*1.5, G1/4", PT1/4", NPT 1/4"
(Unit: mm)

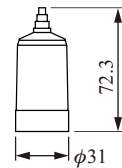
SQ24 Series Field Adjustable Pressure

Pressure range	Tolerance	Connection	
100~300bar	± 5%	M10X1 (taper)	SQ24 □-RU1 □-M1 -A -□
		M10X1	SQ24 □-RU1 □-M0 -A -□
		M12X1.5	SQ24 □-RU1 □-M2 -A -□
		1/8"PT	SQ24 □-RU1 □-1Q -A -□
		1/4"PT	SQ24 □-RU1 □-2Q -A -□
		1/8"G	SQ24 □-RU1 □-1V -A -□
		1/4"G	SQ24 □-RU1 □-2V -A -□
		1/8"NPT	SQ24 □-RU1 □-1U -A -□
1/4"NPT	SQ24 □-RU1 □-2U -A -□		
Body Material	5: Zinc-Plated Steel 6: SUS316		
Contact Form	A: NO B: NC		
Wiring	W: Screw P: Push-on E: Spade Terminal		

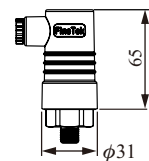
SQ24 Series Fixed Pressure

Connection	
M10X1 (taper)	SQ□□ □ -□□□□ □-M1 -A -□
M10X1	SQ□□ □ -□□□□ □-M0 -A -□
M12X1.5	SQ□□ □ -□□□□ □-M2 -A -□
1/8"PT	SQ□□ □ -□□□□ □-1Q -A -□
1/4"PT	SQ□□ □ -□□□□ □-2Q -A -□
1/8"G	SQ□□ □ -□□□□ □-1V -A -□
1/4"G	SQ□□ □ -□□□□ □-2V -A -□
1/8"NPT	SQ□□ □ -□□□□ □-1U -A -□
1/4"NPT	SQ□□ □ -□□□□ □-2U -A -□
Body Material	5: Zinc-Plated steel 6: SUS316
Pressure	□□□= 100=100Bar (100~300Bar) Tolerance 5%
Wiring	A: NO B: NC
Contact Form	W: Screw P: Push-on E: Spade Terminal

Option:
 Body Protect Cover: SQA-1130
 Material: NBR
 Protection Grade: IP67



Body Protect Cover: SQB-1136
 Material: Nylon
 Protection Grade: IP67
 ★ Only SQ24 Push-on Type to use.



To comply with CE, SQ24 series need to add anti-dust cover. (SQA-1130, SQB-1136)

SQ27 SPDT TYPE



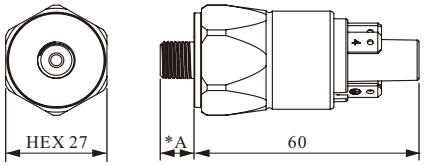
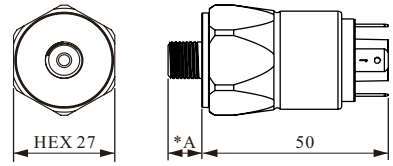
TYPE	SQ275 Series		SQ276 Series		SQ27U Series	
Hex Length	27mm		27mm		27mm	
Body Material	Zinc-Plated Steel		SUS316		Brass	
Wiring	Push-on	Spade Terminal	Push-on	Spade Terminal	Push-on	Spade Terminal
Contact rating (Max.)	2A/ 50Vdc, 4A/ 250Vac		2A/ 50Vdc, 4A/ 250Vac		2A/ 50Vdc, 4A/ 250Vac	
Response Frequency	2Hz		2Hz		2Hz	
Max. Voltage Peak	1.5KV (IEC60947-2)		1.5KV (IEC60947-2)		1.5KV (IEC60947-2)	
Electric Insulation	100MΩ(IEC60092-54 section3)		100MΩ(IEC60092-54 section3)		100MΩ(IEC60092-54 section3)	
Membrane materials/ Operation temperature	NBR(Standard) -10~100°C VITON -10~100°C EPDM -10~100°C NBR(Low Temp.) -30~100°C VITON(Low Temp.) -30~100°C EPDM(Low Temp.) -30~100°C		NBR(Standard) -10~100°C VITON -10~100°C EPDM -10~100°C NBR(Low Temp.) -30~100°C VITON(Low Temp.) -30~100°C EPDM(Low Temp.) -30~100°C		NBR(Standard) -10~100°C VITON -10~100°C EPDM -10~100°C NBR(Low Temp.) -30~100°C VITON(Low Temp.) -30~100°C EPDM(Low Temp.) -30~100°C	
Pressure Range	0.3~100bar (≤20bar with UL certification)		0.3~100bar (≤20bar with UL certification)		0.3~100bar (≤20bar with UL certification)	
Piping Selection	M10*1 (taper) M10*1, M12*1.5 PT1/8", PT1/4" G1/8", G1/4" NPT 1/8", NPT 1/4"		M10*1 (taper) M10*1, M12*1.5 PT1/8", PT1/4" G1/8", G1/4" NPT 1/8", NPT 1/4"		M10*1 (taper) M10*1, M12*1.5 PT1/8", PT1/4" G1/8", G1/4" NPT 1/8", NPT 1/4"	
Contact Model	SPDT		SPDT		SPDT	
Body Protection	IP00 (IEC 60529)		IP00 (IEC 60529)		IP00 (IEC 60529)	
Protection	IP65 (IEC 60529)		IP65 (IEC 60529)		IP65 (IEC 60529)	
Mechanical Life	1.5X10 ⁶ cycles (in 50 bar)		1.5X10 ⁶ cycles (in 50 bar)		1.5X10 ⁶ cycles (in 50 bar)	
Screw Torque	<0.35Nm		<0.35Nm		<0.35Nm	
Shock Resistance	ISO / IEC 17025, Half Sine Wave, Acceleration: 30G@14ms, ±X, ±Y, ±Z axis		ISO / IEC 17025, Half Sine Wave, Acceleration: 30G@14ms, ±X, ±Y, ±Z axis		ISO / IEC 17025, Half Sine Wave, Acceleration: 30G@14ms, ±X, ±Y, ±Z axis	
Vibration Resistance	ISO / IEC 17025, Sine Wave, 5-200 Hz, Acceleration: 10G, Displacement: 16 mm, Sweeping Rate: 1 Oct/ min, Test Direction: X, Y, Z axis, Test Time: 1hr for each		ISO / IEC 17025, Sine Wave, 5-200 Hz, Acceleration: 10G, Displacement: 16 mm, Sweeping Rate: 1 Oct/ min, Test Direction: X, Y, Z axis, Test Time: 1hr for each		ISO / IEC 17025, Sine Wave, 5-200 Hz, Acceleration: 10G, Displacement: 16 mm, Sweeping Rate: 1 Oct/ min, Test Direction: X, Y, Z axis, Test Time: 1hr for each	

Feature
<ul style="list-style-type: none"> ■ Robust In Any Severe Application ■ Customized Body Housing (steel, Sus316, Brass) ■ Selectable Contact (gold Contact Or Silver Contact) ■ Screw / Push-on Terminal Contact Selectable ■ High Quality And Cost Effective ■ Adjustable Pressure Range Setting

Application
<ul style="list-style-type: none"> ■ Pressure Detection For Automobile Braking System ■ Pressure Control For Piping System ■ Hydraulic Detection For Fire Fighting System ■ Hydraulic Industry ■ Lubrication System ■ Sprinkler System ■ Air Compressor ■ Medical Equipment ■ Tire Manufacturing

ORDER INFORMATION

Product Dimension

SQ275/ 276/ 27U Series
Push-on:  **Spade:** 

***A** 9mm: M10*1 taper, M10, G1/8", PT1/8", NPT 1/8" 12mm: M12*1.5, G1/4", PT1/4", NPT 1/4" (Unit: mm)

SQ27 Series Field Adjustable Pressure

※ ≤20bar with UL certification

Pressure range	Tolerance	Connection	
0.3~0.9bar	± 0.1 bar	M10X1 (taper)	SQ27 □-RS1 □-M1-□-□
		M10X1	SQ27 □-RS1 □-M0-□-□
		M12X1.5	SQ27 □-RS1 □-M2-□-□
		1/8"PT	SQ27 □-RS1 □-1Q-□-□
		1/4"PT	SQ27 □-RS1 □-2Q-□-□
		1/8"G	SQ27 □-RS1 □-1V-□-□
		1/4"G	SQ27 □-RS1 □-2V-□-□
		1/8"NPT	SQ27 □-RS1 □-1U-□-□
		1/4"NPT	SQ27 □-RS1 □-2U-□-□
1~9.9bar	± 0.5 bar	M10X1 (taper)	SQ27 □-RL1 □-M1-□-□
		M10X1	SQ27 □-RL1 □-M0-□-□
		M12X1.5	SQ27 □-RL1 □-M2-□-□
		1/8"PT	SQ27 □-RL1 □-1Q-□-□
10~19bar	± 5%	1/4"PT	SQ27 □-RL1 □-2Q-□-□
		1/8"G	SQ27 □-RL1 □-1V-□-□
		1/4"G	SQ27 □-RL1 □-2V-□-□
20~49bar	± 5%	1/8"NPT	SQ27 □-RL1 □-1U-□-□
		1/4"NPT	SQ27 □-RL1 □-2U-□-□
		M10X1 (taper)	SQ27 □-RM1 □-M1-□-□
		M10X1	SQ27 □-RM1 □-M0-□-□
		M12X1.5	SQ27 □-RM1 □-M2-□-□
		1/8"PT	SQ27 □-RM1 □-1Q-□-□
		1/4"PT	SQ27 □-RM1 □-2Q-□-□
50~100bar	± 5%	1/8"G	SQ27 □-RM1 □-1V-□-□
		1/4"G	SQ27 □-RM1 □-2V-□-□
		1/8"NPT	SQ27 □-RM1 □-1U-□-□
		1/4"NPT	SQ27 □-RM1 □-2U-□-□
		M10X1 (taper)	SQ27 □-RH1 □-M1-□-□
		M10X1	SQ27 □-RH1 □-M0-□-□
		M12X1.5	SQ27 □-RH1 □-M2-□-□
		1/8"PT	SQ27 □-RH1 □-1Q-□-□

SQ27 Series Fixed Pressure

※ ≤20bar with UL certification

Connection	
M10X1 (taper)	SQ27 □-□□□□-M1-□-□
M10X1	SQ27 □-□□□□-M0-□-□
M12X1.5	SQ27 □-□□□□-M2-□-□
1/8"PT	SQ27 □-□□□□-1Q-□-□
1/4"PT	SQ27 □-□□□□-2Q-□-□
1/8"G	SQ27 □-□□□□-1V-□-□
1/4"G	SQ27 □-□□□□-2V-□-□
1/8"NPT	SQ27 □-□□□□-1U-□-□
1/4"NPT	SQ27 □-□□□□-2U-□-□

Body Material	5: Zinc-Plated Steel 6: SUS316 U: Brass
Pressure	□□□ = 0 X 2 = 0.2Bar □□□ = 1 X 1 = 1.1Bar □□□ = 0 0 5 = 5Bar □□□ = 0 5 0 = 50Bar (0.3~0.9Bar) Tolerance 0.1Bar (1~9.9Bar) Tolerance 0.5Bar (10~100Bar) Tolerance 5%
Contact Form	C: SPDT
Diaphragm Material	N: NBR D: EPDM V: VITON R: NBR(Low Temp.) T: EPDM(Low Temp.) U: VITON(Low Temp.)
Wiring	P: Push-on E: Spade Terminal

Body Material	5: Zinc-Plated Steel 6: SUS316 U: Brass
Contact Form	C: SPDT
Diaphragm Material	N: NBR D: EPDM V: VITON R: NBR(Low Temp.) T: EPDM(Low Temp.) U: VITON(Low Temp.)
Wiring	P: Push-on E: Spade Terminal

SQ27 DIN TYPE



TYPE	SQ275 Series	SQ276 Series	SQ27U Series
Hex Length	27mm	27mm	27mm
Body Material	Zinc-Plated Steel ROHS	SUS316	Brass
Contact rating (Max.)	2A/ 50Vdc, 4A/ 250Vac	2A/ 50Vdc, 4A/ 250Vac	2A/ 50Vdc, 4A/ 250Vac
Response Frequency	2Hz	2Hz	2Hz
Max. Voltage Peak	1.5KV (IEC60947-2)	1.5KV (IEC60947-2)	1.5KV (IEC60947-2)
Electric Insulation	100MΩ(IEC60092-54 section3)	100MΩ(IEC60092-54 section3)	100MΩ(IEC60092-54 section3)
Membrane materials/ Operation temperature	NBR(Standard) -10~100°C VITON -10~100°C EPDM -10~100°C NBR(Low Temp.) -30~100°C VITON(Low Temp.) -30~100°C EPDM(Low Temp.) -30~100°C	NBR(Standard) -10~100°C VITON -10~100°C EPDM -10~100°C NBR(Low Temp.) -30~100°C VITON(Low Temp.) -30~100°C EPDM(Low Temp.) -30~100°C	NBR(Standard) -10~100°C VITON -10~100°C EPDM -10~100°C NBR(Low Temp.) -30~100°C VITON(Low Temp.) -30~100°C EPDM(Low Temp.) -30~100°C
Pressure Range	0.3~100bar (≤20bar with UL certification)	0.3~100bar (≤20bar with UL certification)	0.3~100bar (≤20bar with UL certification)
Piping Selection	M10*1 (taper) M10*1, M12*1.5 PT1/8", PT1/4" G1/8", G1/4" NPT 1/8", NPT 1/4"	M10*1 (taper) M10*1, M12*1.5 PT1/8", PT1/4" G1/8", G1/4" NPT 1/8", NPT 1/4"	M10*1 (taper) M10*1, M12*1.5 PT1/8", PT1/4" G1/8", G1/4" NPT 1/8", NPT 1/4"
Contact Model	SPDT	SPDT	SPDT
Protection	IP65 (IEC 60529)	IP65 (IEC 60529)	IP65 (IEC 60529)
Mechanical Life	1.5X10 ⁶ cycles (in 50 bar)	1.5X10 ⁶ cycles (in 50 bar)	1.5X10 ⁶ cycles (in 50 bar)
Screw Torque	<0.35Nm	<0.35Nm	<0.35Nm
Shock Resistance	ISO / IEC 17025, Half Sine Wave, Acceleration: 30G@14ms, ±X, ±Y, ±Z axis	ISO / IEC 17025, Half Sine Wave, Acceleration: 30G@14ms, ±X, ±Y, ±Z axis	ISO / IEC 17025, Half Sine Wave, Acceleration: 30G@14ms, ±X, ±Y, ±Z axis
Vibration Resistance	ISO / IEC 17025, Sine Wave, 5-200 Hz, Acceleration: 10G, Displacement: 16 mm, Sweeping Rate: 1 Oct/ min, Test Direction: X, Y, Z axis, Test Time: 1hr for each	ISO / IEC 17025, Sine Wave, 5-200 Hz, Acceleration: 10G, Displacement: 16 mm, Sweeping Rate: 1 Oct/ min, Test Direction: X, Y, Z axis, Test Time: 1hr for each	ISO / IEC 17025, Sine Wave, 5-200 Hz, Acceleration: 10G, Displacement: 16 mm, Sweeping Rate: 1 Oct/ min, Test Direction: X, Y, Z axis, Test Time: 1hr for each

Feature
<ul style="list-style-type: none"> ■ Robust In Any Severe Application ■ Customized Body Housing (steel, Sus316, Brass) ■ Selectable Contact (Gold Contact or Silver Contact) ■ Screw / Push-on Terminal Contact Selectable ■ High Quality And Cost Effective ■ Adjustable Pressure Range Setting

Application
<ul style="list-style-type: none"> ■ Pressure Detection For Automobile Braking System ■ Pressure Control For Piping System ■ Hydraulic Detection For Fire Fighting System ■ Hydraulic Industry ■ Lubrication System ■ Sprinkler System ■ Air Compressor ■ Medical Equipment ■ Tire Manufacturing

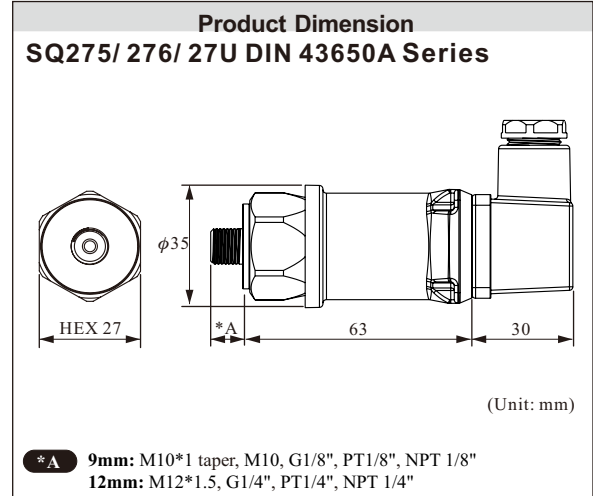
ORDER INFORMATION

SQ27 DIN Series Field Adjustable Pressure

※ ≤20bar with UL certification

Pressure range	Tolerance	Connection	
0.3~0.9bar	± 0.1 bar	M10X1 (taper)	SQ27 □-RS1 □-M1-□-□
		M10X1	SQ27 □-RS1 □-M0-□-□
		M12X1.5	SQ27 □-RS1 □-M2-□-□
		1/8"PT	SQ27 □-RS1 □-1Q-□-□
		1/4"PT	SQ27 □-RS1 □-2Q-□-□
		1/8"G	SQ27 □-RS1 □-1V-□-□
		1/4"G	SQ27 □-RS1 □-2V-□-□
		1/8"NPT	SQ27 □-RS1 □-1U-□-□
1~9.9bar	± 0.5 bar	M10X1 (taper)	SQ27 □-RL1 □-M1-□-□
		M10X1	SQ27 □-RL1 □-M0-□-□
		M12X1.5	SQ27 □-RL1 □-M2-□-□
		1/8"PT	SQ27 □-RL1 □-1Q-□-□
10~19bar	± 5%	1/4"PT	SQ27 □-RL1 □-2Q-□-□
		1/8"G	SQ27 □-RL1 □-1V-□-□
		1/4"G	SQ27 □-RL1 □-2V-□-□
		1/8"NPT	SQ27 □-RL1 □-1U-□-□
20~49bar	± 5%	1/4"NPT	SQ27 □-RL1 □-2U-□-□
		M10X1 (taper)	SQ27 □-RM1 □-M1-□-□
		M10X1	SQ27 □-RM1 □-M0-□-□
		M12X1.5	SQ27 □-RM1 □-M2-□-□
		1/8"PT	SQ27 □-RM1 □-1Q-□-□
		1/4"PT	SQ27 □-RM1 □-2Q-□-□
		1/8"G	SQ27 □-RM1 □-1V-□-□
		1/4"G	SQ27 □-RM1 □-2V-□-□
50~100bar	± 5%	1/8"NPT	SQ27 □-RM1 □-1U-□-□
		1/4"NPT	SQ27 □-RM1 □-2U-□-□
		M10X1 (taper)	SQ27 □-RH1 □-M1-□-□
		M10X1	SQ27 □-RH1 □-M0-□-□
		M12X1.5	SQ27 □-RH1 □-M2-□-□
		1/8"PT	SQ27 □-RH1 □-1Q-□-□
		1/4"PT	SQ27 □-RH1 □-2Q-□-□
		1/8"G	SQ27 □-RH1 □-1V-□-□
		1/4"G	SQ27 □-RH1 □-2V-□-□
		1/8"NPT	SQ27 □-RH1 □-1U-□-□
		1/4"NPT	SQ27 □-RH1 □-2U-□-□

Body Material	5: Zinc-Plated Steel 6: SUS316 U: Brass
Contact Form	C: SPDT
Diaphragm Material	N: NBR D: EPDM V: VITON R: NBR(Low Temp.) T: EPDM(Low Temp.) U: VITON(Low Temp.)
Wiring	C: DIN43650A



SQ27 DIN Series Fixed Pressure

※ ≤20bar with UL certification

Connection	
M10X1 (taper)	SQ27 □-□□□□-M1-□-□
M10X1	SQ27 □-□□□□-M0-□-□
M12X1.5	SQ27 □-□□□□-M2-□-□
1/8"PT	SQ27 □-□□□□-1Q-□-□
1/4"PT	SQ27 □-□□□□-2Q-□-□
1/8"G	SQ27 □-□□□□-1V-□-□
1/4"G	SQ27 □-□□□□-2V-□-□
1/8"NPT	SQ27 □-□□□□-1U-□-□
1/4"NPT	SQ27 □-□□□□-2U-□-□

Body Material	5: Zinc-Plated Steel 6: SUS316 U: Brass
Pressure	□□□ = 0 X 2 = 0.2Bar □□□ = 1 X 1 = 1.1Bar □□□ = 0 0 5 = 5Bar □□□ = 0 5 0 = 50Bar (0.3~0.9Bar) Tolerance 0.1Bar (1~9.9Bar) Tolerance 0.5Bar (10~100Bar) Tolerance 5%
Contact Form	C: SPDT
Diaphragm Material	N: NBR D: EPDM V: VITON R: NBR(Low Temp.) T: EPDM(Low Temp.) U: VITON(Low Temp.)
Wiring	C: DIN43650A

SQ24 WITH EXTENSION SOCKET

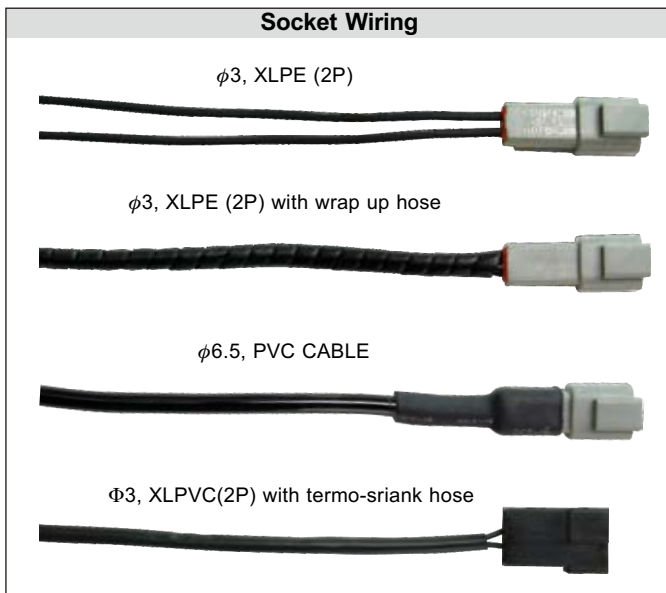
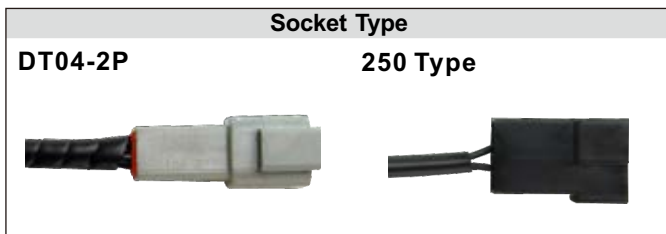
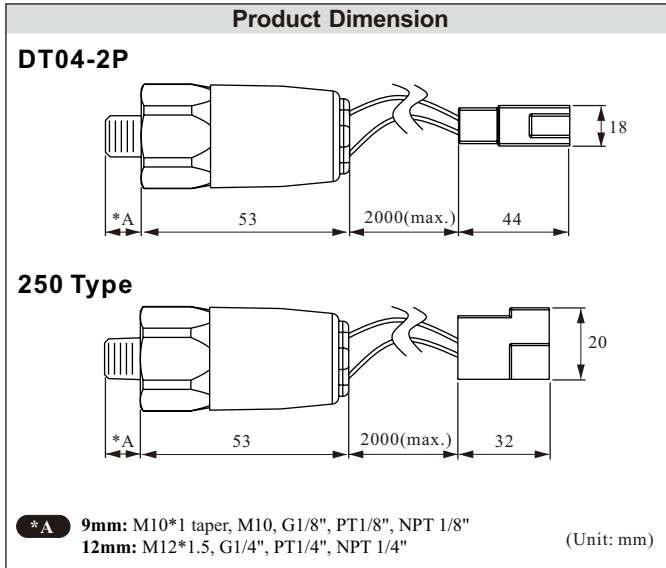


TYPE	SQ245 Series	SQ246 Series	SQ24U Series
Hex Length	24mm	24mm	24mm
Body Material	Zinc-Plated Steel	SUS316	Brass
Wiring	DT04-2P, 250 Type	DT04-2P, 250 Type	DT04-2P, 250 Type
Contact rating (Max.)	4A/ 50Vdc, 4A/ 250Vac	4A/ 50Vdc, 4A/ 250Vac	4A/ 50Vdc, 4A/ 250Vac
Response Frequency	2Hz	2Hz	2Hz
Max. Voltage Peak	1.5KV (IEC60947-2)	1.5KV (IEC60947-2)	1.5KV (IEC60947-2)
Electric Insulation	100MΩ(IEC60092-54 section3)	100MΩ(IEC60092-54 section3)	100MΩ(IEC60092-54 section3)
Membrane materials/ Operation temperature	NBR(Standard) -10~100°C VITON -10~100°C EPDM -10~100°C NBR(Low Temp.) -30~100°C VITON(Low Temp.) -30~100°C EPDM(Low Temp.) -30~100°C	NBR(Standard) -10~100°C VITON -10~100°C EPDM -10~100°C NBR(Low Temp.) -30~100°C VITON(Low Temp.) -30~100°C EPDM(Low Temp.) -30~100°C	NBR(Standard) -10~100°C VITON -10~100°C EPDM -10~100°C NBR(Low Temp.) -30~100°C VITON(Low Temp.) -30~100°C EPDM(Low Temp.) -30~100°C
Pressure Range	0.2~300bar	0.2~300bar	0.2~300bar
Piping Selection	M10*1 (taper) M10*1, M12*1.5 PT1/8", PT1/4" G1/8", G1/4" NPT 1/8", NPT 1/4"	M10*1 (taper) M10*1, M12*1.5 PT1/8", PT1/4" G1/8", G1/4" NPT 1/8", NPT 1/4"	M10*1 (taper) M10*1, M12*1.5 PT1/8", PT1/4" G1/8", G1/4" NPT 1/8", NPT 1/4"
Contact Model	NO, NC	NO, NC	NO, NC
Protection	IP67 (IEC 60529)	IP67 (IEC 60529)	IP67 (IEC 60529)
Mechanical Life	1.5X10 ⁶ cycles (in 50 bar)	1.5X10 ⁶ cycles (in 50 bar)	1.5X10 ⁶ cycles (in 50 bar)
Shock Resistance	ISO / IEC 17025, Half Sine Wave, Acceleration: 30G@14ms, ±X, ±Y, ±Z axis	ISO / IEC 17025, Half Sine Wave, Acceleration: 30G@14ms, ±X, ±Y, ±Z axis	ISO / IEC 17025, Half Sine Wave, Acceleration: 30G@14ms, ±X, ±Y, ±Z axis
Vibration Resistance	ISO / IEC 17025, Sine Wave, 5-200 Hz, Acceleration: 10G, Displacement: 16 mm, Sweeping Rate: 1 Oct/ min, Test Direction: X, Y, Z axis, Test Time: 1hr for each	ISO / IEC 17025, Sine Wave, 5-200 Hz, Acceleration: 10G, Displacement: 16 mm, Sweeping Rate: 1 Oct/ min, Test Direction: X, Y, Z axis, Test Time: 1hr for each	ISO / IEC 17025, Sine Wave, 5-200 Hz, Acceleration: 10G, Displacement: 16 mm, Sweeping Rate: 1 Oct/ min, Test Direction: X, Y, Z axis, Test Time: 1hr for each

Feature
<ul style="list-style-type: none"> ■ Robust In Any Severe Application ■ Customized Body Housing (steel, Sus316, Brass) ■ Selectable Contact (gold Contact Or Silver Contact) ■ Screw / Push-on Terminal Contact Selectable ■ High Quality And Cost Effective ■ Adjustable Pressure Range Setting

Application
<ul style="list-style-type: none"> ■ Pressure Detection For Automobile Braking System ■ Pressure Control For Piping System ■ Hydraulic Detection For Fire Fighting System ■ Hydraulic Industry ■ Lubrication System ■ Sprinkler System ■ Air Compressor ■ Medical Equipment ■ Tire Manufacturing

ORDER INFORMATION

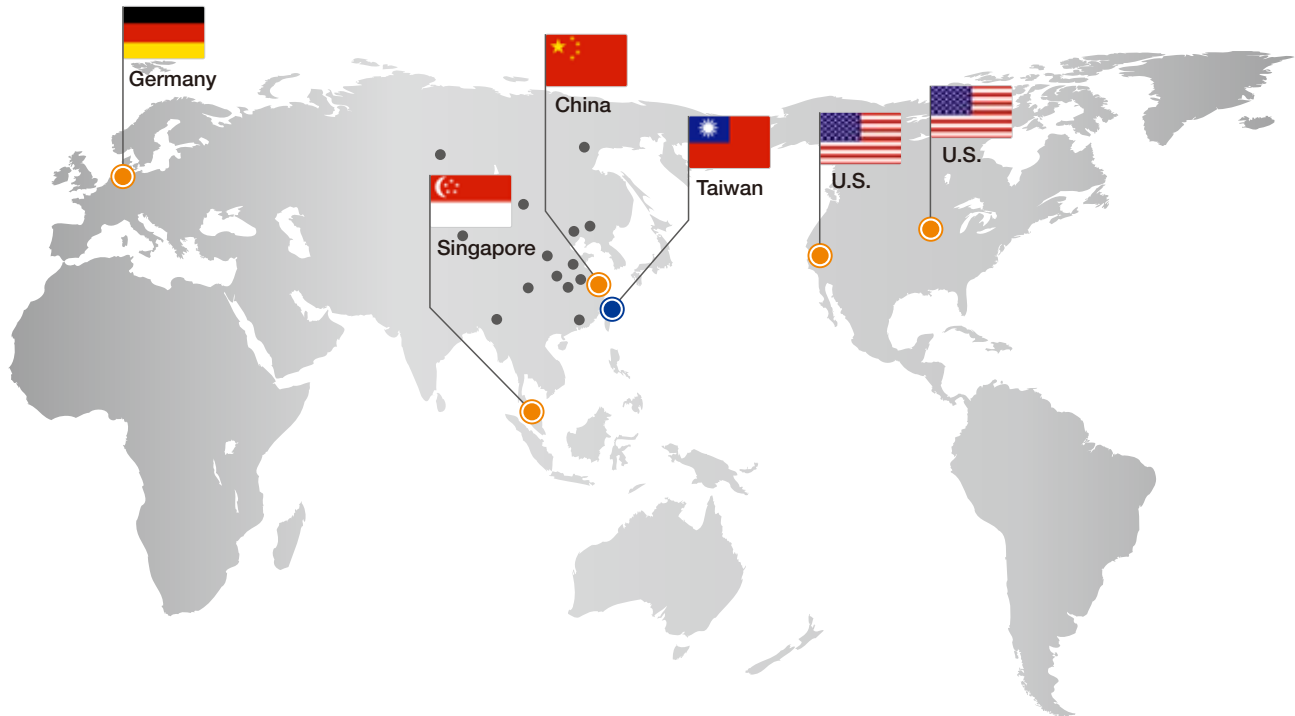


SQ24 Series Fixed Pressure

Connection	
M10X1 (taper)	SQ24 □ - □ □ □ □ - M1 - □ - □ □
M10X1	SQ24 □ - □ □ □ □ - M0 - □ - □ □
M12X1.5	SQ24 □ - □ □ □ □ - M2 - □ - □ □
1/8"PT	SQ24 □ - □ □ □ □ - 1 Q - □ - □ □
1/4"PT	SQ24 □ - □ □ □ □ - 2 Q - □ - □ □
1/8"G	SQ24 □ - □ □ □ □ - 1 V - □ - □ □
1/4"G	SQ24 □ - □ □ □ □ - 2 V - □ - □ □
1/8"NPT	SQ24 □ - □ □ □ □ - 1 U - □ - □ □
1/4"NPT	SQ24 □ - □ □ □ □ - 2 U - □ - □ □

Body Material	5: Zinc-plating steel 6: SUS316 U: Brass
Pressure	□ □ □ = 0 X 2 = 0.2Bar □ □ □ = 1 X 1 = 1.1Bar □ □ □ = 0 0 5 = 5Bar □ □ □ = 0 5 0 = 50Bar (0.3~0.9Bar) Tolerance 0.1Bar (1~99Bar) Tolerance 5% (100~300Bar) Tolerance 5%
Contact Form	A: NO B: NC
Diaphragm Material	N: NBR D: EPDM V: VITON R: NBR(Low Temp.) T: EPDM(Low Temp.) U: VITON(Low Temp.)
Socket Type	D: DT04-2P A: 250 Type
Socket Wiring	A: φ3, XLPE (2P) B: φ3, XLPE (2P) with wrap up hose C: φ6.5, PVC CABLE D: φ3, XLPVC (2P) with termo-sriank hose

Global Network



■ Asia

● Taiwan

FINETEK CO., LTD. - Taipei Head Quarter
No.16, Tzuchiang St., Tucheng Industrial Park
New Taipei City 236, Taiwan
TEL: 886-2-2269-6789
FAX: 886-2-2268-6682
EMAIL: info@fine-tek.com

FINETEK CO., LTD. - I-Lan Factory
TEL: 886-3-990-9669
FAX: 886-3-9909659

FINETEK CO., LTD. - Taichung Brance
TEL: 886-4-2337-0825
FAX: 886-4-2337-0836

FINETEK CO., LTD. - Kaohsiung Branch
TEL: 886-7-333-6968
FAX: 886-7-536-8758

● China

FINE AUTOMATION CO., LTD. - Shanghai Factory
No.451 DuHui Rd, MinHang District, Shanghai,
China 201109
TEL: 86-21-6490-7260
FAX: 86-21-6490-7276
EMAIL: info.sh@fine-tek.com

● Singapore

FINETEK PTE LTD. - Singapore Office
No. 60 Kaki Bukit Place, #07-06 Eunos
Techpark 2 Lobby B, Singapore 415979
TEL: 65-6452-6340
FAX: 65-6734-1878
EMAIL: info.sg@fine-tek.com

■ North America

● California, U.S.

APLUS FINETEK SENSOR INC. - US Office
355 S. Lemon Ave, Suite D, Walnut,
CA 91789
TEL: 1 909 598 2488
FAX: 1 909 598 3188
EMAIL: info@aplusfine.com

● Illinois, U.S.

APLUS FINETEK SENSOR INC.
TEL: 1 815 632-3132
FAX: 1 815 716 8464
EMAIL: info@aplusfine.com

■ Europe

● Germany

FineTeK GmbH - Germany Office
Frankfurter Str. 62, OG D-65428
Ruesselsheim, Germany
TEL: +49-(0)6142-17608-0
FAX: +49-(0)6142-17608-20
EMAIL: info@fine-tek.de



Distributor: