

## Features

- 2-way normally open operation
- Die-cast aluminum bodies
- Zero differential piloted diaphragm
- Valves provided with pipe tap(s) with plug for routine testing
- Suitable for ambient temperatures up to 175°F

## Fluid

Fuel Gas

## Construction

Valve Parts in Contact with Fluids	
Body	Aluminum
Seals and Disc	NBR
Washer	302 Stainless Steel
Core Tube	305 Stainless Steel
Core and Plugnut	430F Stainless Steel
Core Guide	CA
Springs	302F Stainless Steel
Shading Coil	Copper
Body Gasket	Cork
Sleeve and Pin	416 Stainless Steel
Pipe Plug	Zinc-Plated Steel

## Electrical

Standard Coil and Class of Insulation	Watt Rating and Power Consumption			Ambient Temp. °F	Spare Coil Family	
	AC				General Purpose	Explosionproof
	Watts	VA Holding	VA Inrush		AC	AC
N	20	43	240	-20 to 175	222345	-

Standard Voltages: 120 volts AC, 60 Hz  
 Optional Voltages: 24, 240 volts AC, 60 Hz  
 S262 catalog number includes codification for voltage. However, voltage must be specified when ordering spare coil.

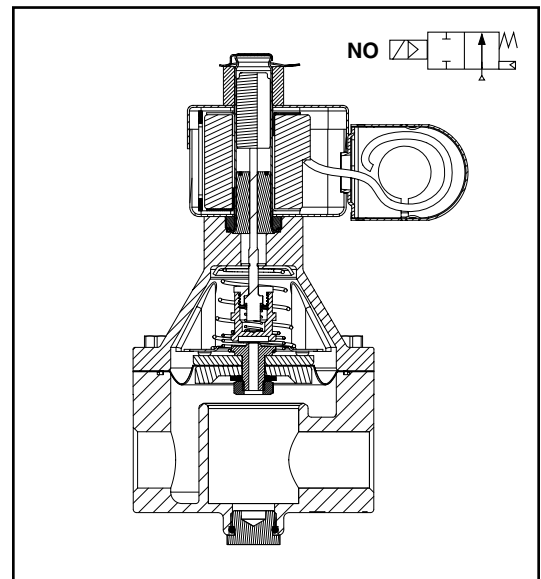
## Solenoid Enclosures

**Standard:** Type 1 General Purpose Junction Box housing with two 7/8" knockouts.

## Valve Response Time

**Opening Time:** Less than 1 second

**Closing Time:** Less than 1 second



## Approvals

UL listed to standard 429 "Electrically Operated Valves," Guide Y10Z, File MP932 General Purpose Valves.

CSA Certified to:

- 1) Standard C22.2 No. 139 "Electrically Operated Valves," File 113070.

**Specifications (English units)**

Pipe Size (in)	Orifice Size (in)	Cv Flow Factor	Gas Capacity ① Btu/hr.	Operating Pressure Differential (psi)		Max. Fluid Temp. °F	Catalog Number			Const. Ref.	Agency			Wattage	Approx. Shipping Weight (lbs)
				Min.	Max.		24V 60 Hz	120V 60 Hz	240V 60 Hz		UL	FM	CSA		
<b>COMBUSTION (Fuel Gas) - NORMALLY OPEN</b>															
3/8	3/4	5.3	217,000	0	30	77	S262SG01N3CG5	S262SG02N3CG5	S262SG04N3CG5	1	●	-	●	20	3.0
1/2	3/4	6.2	322,000	0	30	77	S262SG01N3DG5	S262SG02N3DG5	S262SG04N3DG5	1	●	-	●	20	3.2
3/4	3/4	8	370,000	0	30	77	S262SG01N3EG5	S262SG02N3EG5	S262SG04N3EG5	1	●	-	●	20	3.3
1	1 1/2	18	1,120,000	0	25	77	S262SG01N3FJ5	S262SG02N3FJ5	S262SG04N3FJ5	2	●	-	●	20	4.4
1 1/4	2	34	1,710,000	0	25	77	S262SG01N3GJ7	S262SG02N3GJ7	S262SG04N3GJ7	3	●	-	●	20	4.4
1 1/2	2	37	1,790,000	0	25	77	S262SG01N3HJ7	S262SG02N3HJ7	S262SG04N3HJ7	3	●	-	●	20	12.5
2	4 1/2	75	3,840,000	0	15	77	S262SG01N3JK4	S262SG02N3JK4	S262SG04N3JK4	4	●	-	●	20	12.5
2 1/2	4 1/2	90	4,750,000	0	15	77	S262SG01N3KK4	S262SG02N3KK4	S262SG04N3KK4	5	●	-	●	20	14.2
3	4 1/2	110	5,440,000	0	15	77	S262SG01N3LK4	S262SG02N3LK4	S262SG04N3LK4	5	●	-	●	20	14.2

● = General Purpose Valve. ① 1" W.C. Drop @ 2" W.C. Inlet Pressure, 1,000 Btu/cu.ft. or more, 0.64 Specific Gravity Gas.

**Specifications (Metric units)**

Pipe Size (in)	Orifice Size (mm)	Kv Flow (m³/hr)	Gas Capacity ① Btu/hr.	Operating Pressure Differential (bar)		Max. Fluid Temp. °C	Catalog Number			Const. Ref.	Agency			Wattage	Approx. Shipping Weight (kgs)
				Min.	Max.		24V 60 Hz	120V 60 Hz	240V 60 Hz		UL	FM	CSA		
<b>COMBUSTION (Fuel Gas) - NORMALLY OPEN</b>															
3/8	19	4.5	217,000	0	2.1	25	S262SG01N3CG5	S262SG02N3CG5	S262SG04N3CG5	1	●	-	●	20	1.4
1/2	19	5.3	322,000	0	2.1	25	S262SG01N3DG5	S262SG02N3DG5	S262SG04N3DG5	1	●	-	●	20	1.5
3/4	19	6.8	370,000	0	2.1	25	S262SG01N3EG5	S262SG02N3EG5	S262SG04N3EG5	1	●	-	●	20	1.5
1	38	15.3	1,120,000	0	1.7	25	S262SG01N3FJ5	S262SG02N3FJ5	S262SG04N3FJ5	2	●	-	●	20	2.0
1 1/4	51	28.9	1,710,000	0	1.7	25	S262SG01N3GJ7	S262SG02N3GJ7	S262SG04N3GJ7	3	●	-	●	20	2.0
1 1/2	51	31.5	1,790,000	0	1.7	25	S262SG01N3HJ7	S262SG02N3HJ7	S262SG04N3HJ7	3	●	-	●	20	5.7
2	114	63.8	3,840,000	0	1.0	25	S262SG01N3JK4	S262SG02N3JK4	S262SG04N3JK4	4	●	-	●	20	5.7
2 1/2	114	76.5	4,750,000	0	1.0	25	S262SG01N3KK4	S262SG02N3KK4	S262SG04N3KK4	5	●	-	●	20	6.5
3	114	93.5	5,440,000	0	1.0	25	S262SG01N3LK4	S262SG02N3LK4	S262SG04N3LK4	5	●	-	●	20	6.5

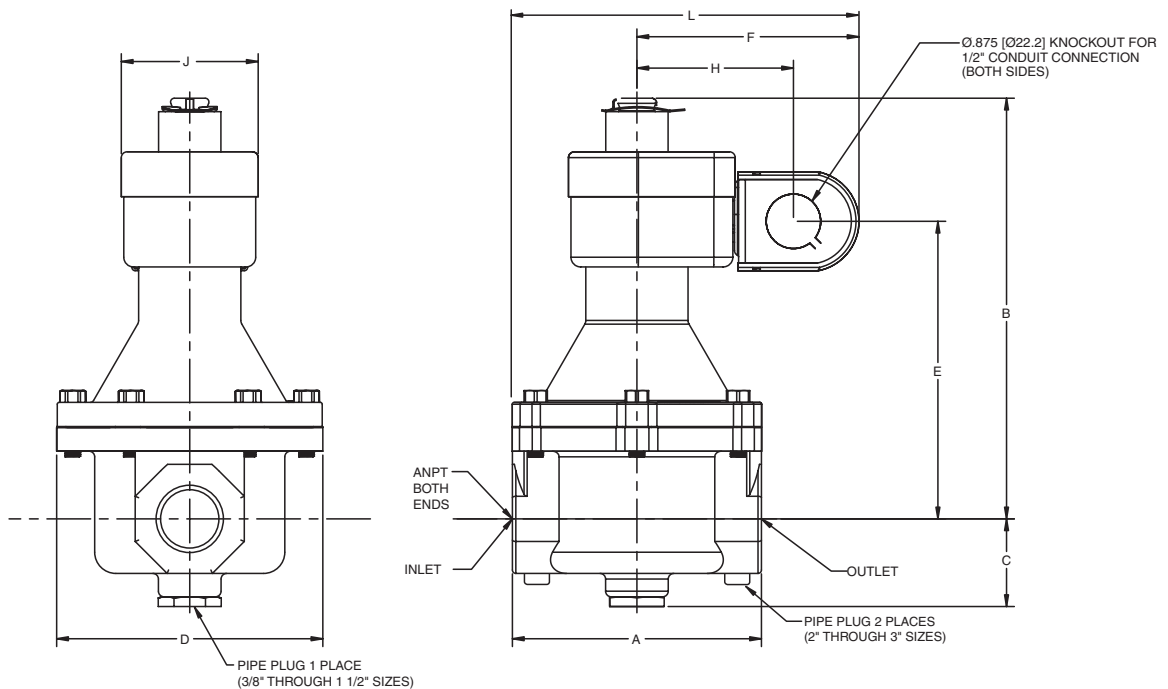
● = General Purpose Valve. ① 1" W.C. Drop @ 2" W.C. Inlet Pressure, 1,000 Btu/cu.ft. or more, 0.64 Specific Gravity Gas.

### Dimensions inches (mm)

Const. Ref.		A	B	C	D	E	F	H	J	L
1	in	2.75	5.48	1.06	2.31	3.90	3.53	2.50	2.19	4.90
	mm	70	138	27	59	99	90	64	56	124
2	in	4.00	6.33	1.41	4.27	4.78	3.53	2.50	2.19	5.53
	mm	102	161	36	108	121	90	64	56	140
3	in	4.76	6.70	1.79	4.77	5.15	3.53	2.50	2.19	5.91
	mm	121	170	45	121	131	90	64	56	150
4	in	8.12	7.23	2.16	7.69	5.68	3.53	2.50	2.19	7.59
	mm	206	184	55	195	144	90	64	56	193
5	in	9.00	8.04	2.27	7.69	6.49	3.53	2.50	2.19	8.03
	mm	229	204	58	195	165	90	64	56	204

Vent Valve Requirements	
Manifold Line	Vent Valve
3/8" through 1 1/2"	3/4
2"	1
2 1/2" through 3"	1 1/4
3 1/2"	1 1/2
4" through 5"	2
5 1/2" through 6"	2 1/2
6 1/2" through 7 1/2"	3

### Const. Ref. 1 - 5



Valves up to 1 1/2" NPT must be mounted with solenoid vertical and upright or in a horizontal position. Valves larger than 1 1/2" NPT must be mounted with solenoid vertical and upright.

