

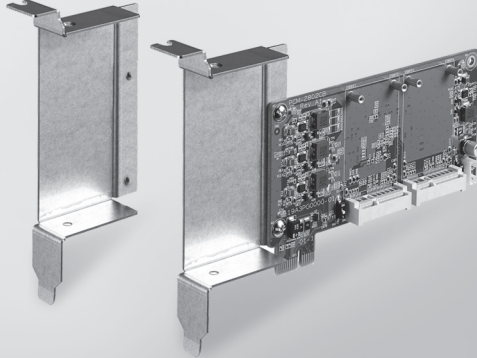
# PCM-28P1AD

# PCM-28P1BK

PCIe to mPCIe, 2-Slots mPCIe, iDoor I/O plate expansion

iDoor PCIe I/O Plate

NEW



PCM-28P1BK

PCM-28P1AD



## Features

- Meets Advantech Standard iDoor Technology
- PCI Express base SPEC 2.0 and backward compatible with SEPC 1.1 & 1.0a compliant
- PCI Express® Mini Card Specification Revision 1.2 compliant
- Expands two external full-size mPCIe slots from an existing PCIe slot
- Expands one external iDoor I/O module plate from existing PCIe plate
- Supports Microsoft® Windows® XP/7/8
- Supports Control DIN-Rail PC UNO-1400 series
- Supports Control Cabinet PC UNO-3200/3300/3400 series

\*Please visit Advantech's websites for the latest iDoor modules support information

## Introduction

The PCM-28 series is categorized as expansion kits providing solutions for multi-application from Advantech iDoor technology. They are all compatible with the PCI Express Mini Card Specification Revision 1.2 including Isolated / Non-Isolated RS-232/422/485 communication cards for automation control, Wi-Fi/3G/GPS/GSM/LTE wireless communication models for data exchange during the management and machine level of automation application, Zigbee module as an IoT terminal or controller and PoE function for smart camera in detect inspection application of production. This is a flexible design that enables customers to customize their features which meet iDoor Technology.

## Specifications

### General

- Bus Type** PCI Express® Rev. 2.0 compliant
- Interface** PCI Express® Mini Card Specification Revision 1.2 compliant
- Certification** CE, FCC class A
- I/O Connectors** 1 x PCI Express Male, 2 x mPCIe Female
- Dimensions** 173 x 120.8 x 21.6mm (6.8" x 4.8" x 0.9")
- Power Consumption** Input: +12 V/2.1 A, +3.3 VSB/375 mA  
Output: +3.3 V/1.1 A, +1.5 V/375 mA

### Software

- OS Support** Windows® XP/7/8

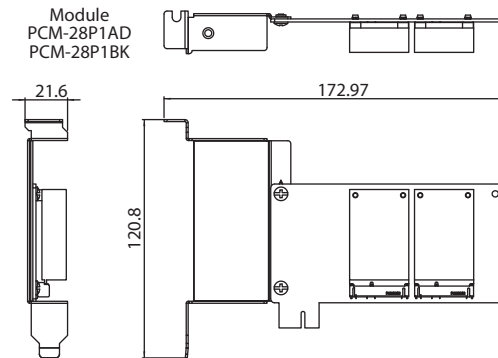
### Environment

- Humidity (Operating)** 5-95% RH, non-condensing
- Operating Temperature** -20 ~ 60°C (-4 ~ 140°F)
- Storage Temperature** -40 ~ 85°C (-40 ~ 185°F)

## Support iDoor Module

- PCM-24D2R2-AE** 2-Port Isolated RS-232, mPCIe, DB9
- PCM-24D2R4-AE** 2-Port Isolated RS-422/485, mPCIe, DB9
- PCM-24D4R2-AE** 4-Port Non-Isolated RS-232, mPCIe, DB37 cable
- PCM-24D4R4-AE** 4-Port Non-Isolated RS-422/485 mPCIe, DB37 cable
- PCM-26D2CA-AE** 2-Port Isolated CANBus mPCIe, CANOpen, DB9
- PCM-27D24DI-AE** 24-Channel Isolated Digital I/O w/ counter mPCIe, DB37
- PCM-2300MR-AE** MR4A16B, MRAM, 2 MByte, mPCIe
- PCM-24S2WF-AE** WiFi 802.11 a/b/g/n 2T2R w/ Bluetooth4.0, Half-size mPCIe, 2-port SMA
- PCM-24U2U3-AE** 2-Port USB 3.0, mPCIe, USB-A type

## Dimensions

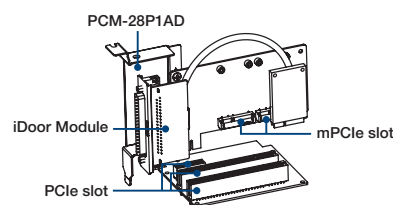


## Ordering Information

- PCM-28P1AD-AE** PCIe to mPCIe, mPCIe Slot x2, iDoor PCIe I/O plate x1
- PCM-28P1BK-AE** iDoor PCIe I/O Plate

## User scenario

### 2-Slots mPCIe expansion



### iDoor with PCIe I/O Plate

