

General Specifications

AR-PL Arrester for Large Capacity Power Supply (100/200V AC)

Scott

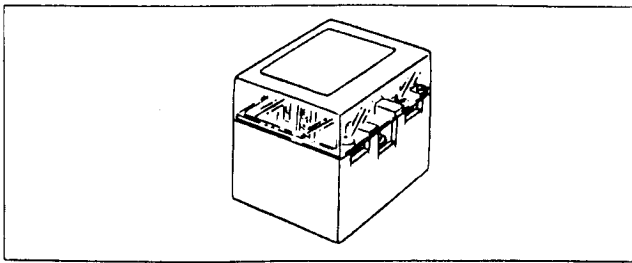
This high quality arrester protects electronic instruments by absorbing induced lightning surge voltage.
 ● Compact type arrester with large capacity consisting of high quality ceramic type arrester and varister

Type AR-PL
 Arrester for large capacity power supply (100/200V AC)

Principal Usage

- For all electronic instruments using 100V AC, 200V AC power supply
- Information Control Instruments
 - Information Transmission Instruments
 - Computer Peripherals
 - Broadcasting Instruments
 - Telemeters
 - Signal Instruments
 - Measuring Instruments
 - Observation Instruments

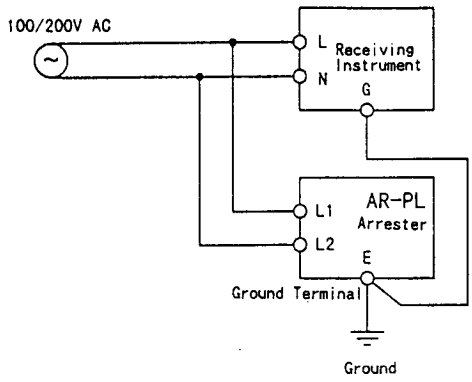
Standard Performance	
Permissible current leakage :	
Between ground :	Less than 1mA (at 250V DC)
Between lines :	Less than 1mA (at 250V DC)
Instrument side voltage limit :	
Between lines :	Less than 2000V (at 10kV, 1.2/50μs)
Between ground :	Less than 1500V (at 10kV, 1.2/50μs)
Surge discharge withstand capacity :	
	10kA (at 1.2/50μs)
Discharge starting voltage :	
Between lines :	More than 800V
Between ground :	More than 400V
Temperature range: -10~+60°C	
Humidity range : 5~90%RH (no condensation)	
Mounting & Shape	
Weight : Abt. 220g	



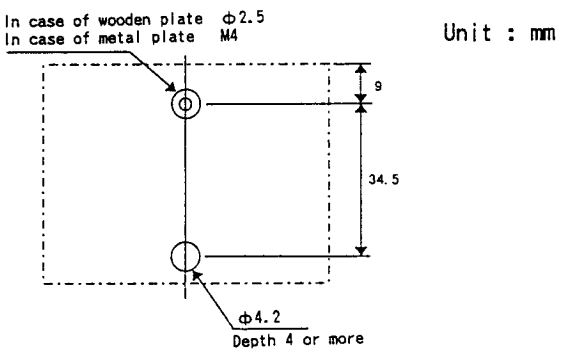
TERMINAL ARRANGEMENT

Usage	AR-PL
L1	L
E	GND
L2	N

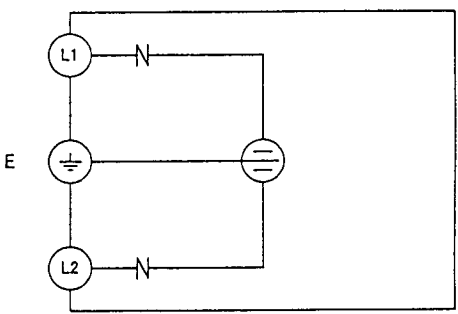
WIRING



MOUNTING DIMENSION

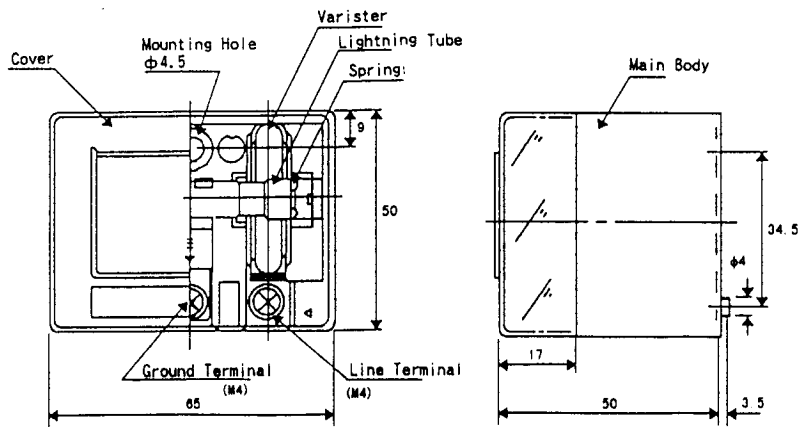


BLOCK DIAGRAM



EXTERNAL DIMENSION

Unit : mm



Subject to change without notice for grade up quality and performance