

# Drawings

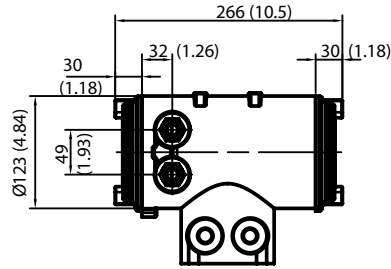
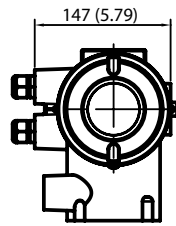
Models RCCT34, RCCT36, **ROTAMASS**  
RCCT38, RCCT39,  
RCCT39/IR-□□□□□□□□□□/V2, RCCT39/XR  
Coriolis Mass Flow and Density Meter  
Integral Version

## Contents

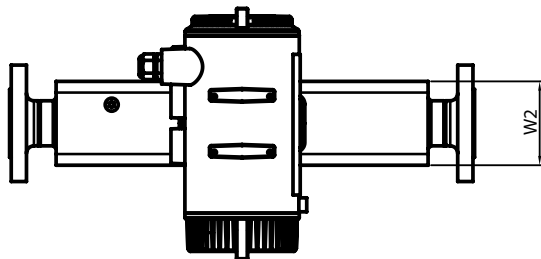
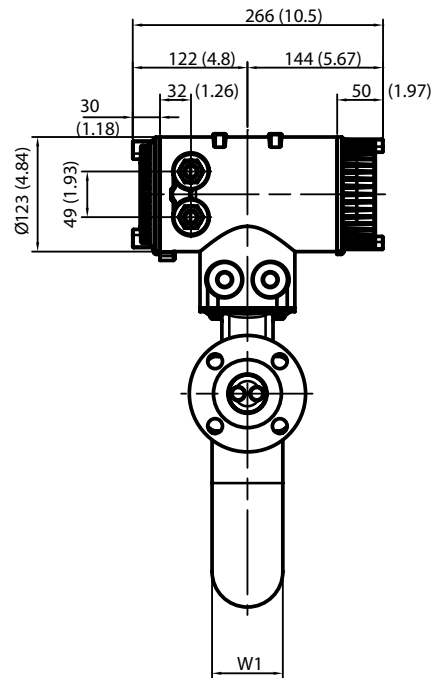
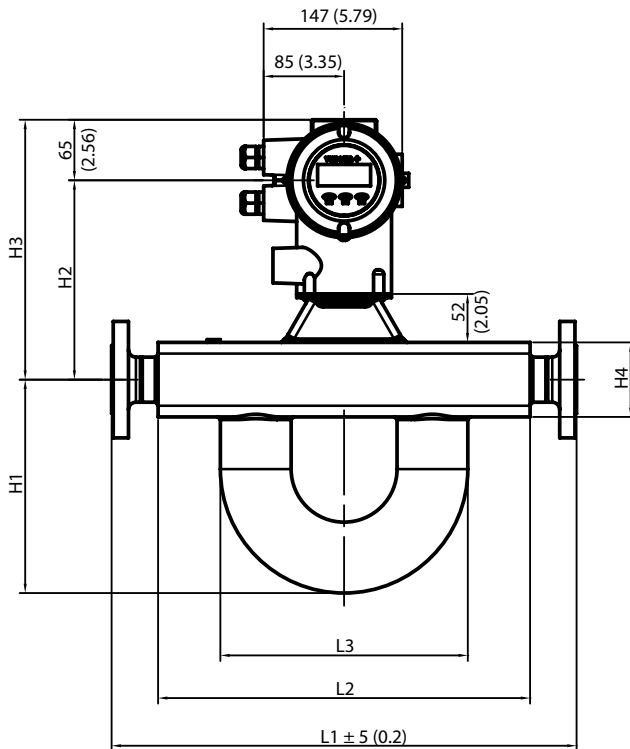
Outline dimensions RCCT34 to 39 flange type	page 2
Outline dimensions RCCT39/IR.../V2 flange type	page 3
Outline dimensions RCCT39/XR flange type	page 4
Flange dimensions	page 5
Tables dimensions flange type	page 4, 5, 6
Outline dimensions RCCT34 to 39 clamp type; also valid for outer thread type acc. DIN 11851	page 7
Clamp dimensions	page 7
Outline dimensions RCCT34 inner thread type	page 8
Power- and I/O- line wiring	page 9

**Dimensions : RCCT34, RCCT36, RCCT38, RCCT39 flange type**

**Without Display**



**With Display**



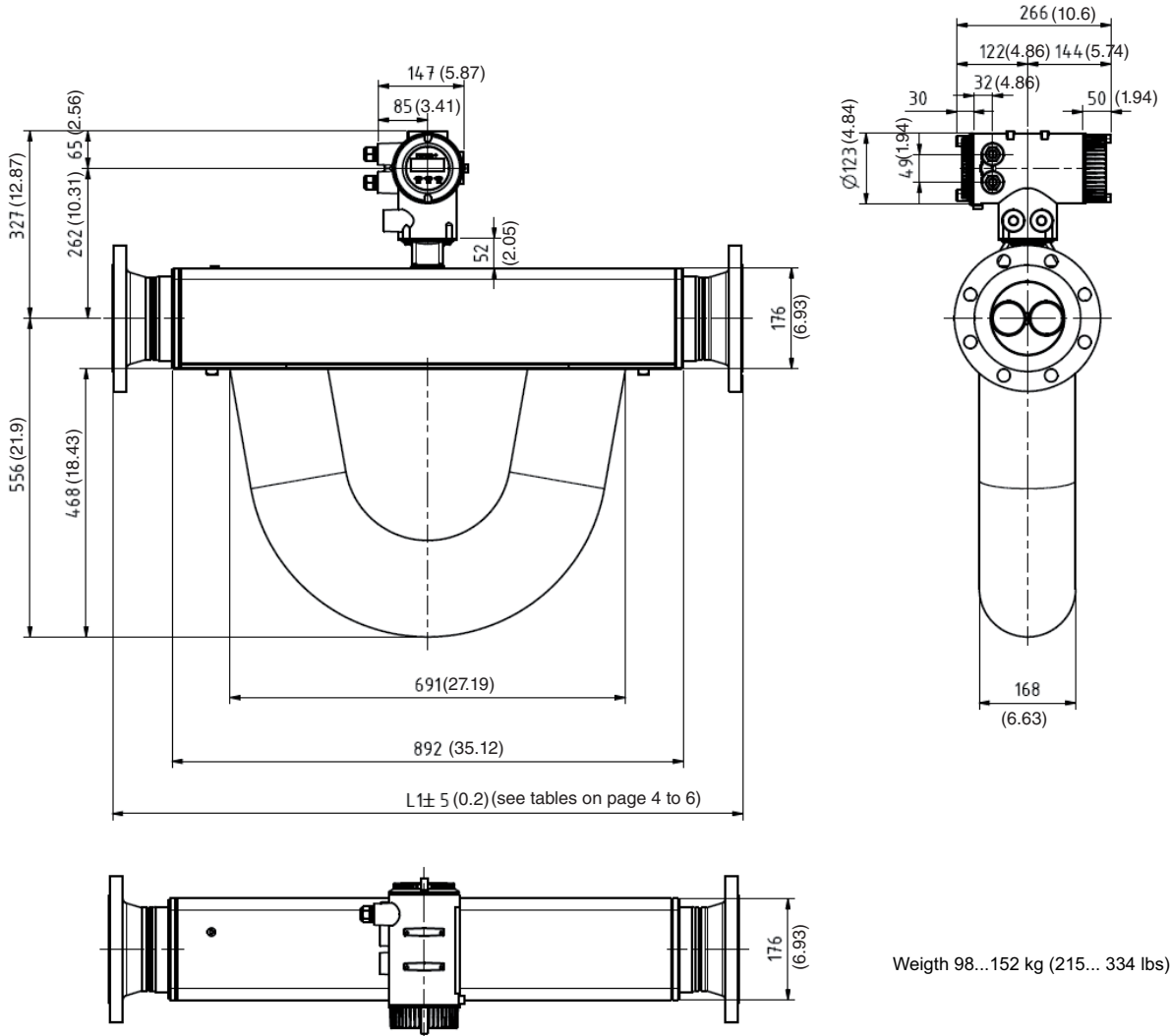
Dimensions in mm (inch)

Note: The flange dimensions depend on the respective size and pressure rating.

Model		L1	L2	L3	H1	H2	H3	H4	W1	W2	Weight
RCCT34	mm (inches)	see tables on page 4...6	272 (10.7)	212 (8.35)	177 (6.97)	214 (8.43)	279 (11)	80 (3.15)	60 (2.36)	80 (3.15)	13-24 kg (29-53 lbs)
RCCT36	mm (inches)	see tables on page 4...6	400 (15.7)	266 (10.5)	230 (9.06)	214 (8.43)	279 (11)	80 (3.15)	76 (2.99)	90 (3.54)	18-38 kg (40-84 lbs)
RCCT38	mm (inches)	see tables on page 4...6	490 (19.3)	267 (10.5)	269 (10.6)	224 (8.82)	289 (11.4)	100 (3.94)	89 (3.5)	110 (4.33)	28-53 kg (62-117 lbs)
RCCT39	mm (inches)	see tables on page 4...6	850 (33.5)	379 (14.9)	370 (14.6)	240 (9.45)	306 (12)	135 (5.31)	129 (5.08)	160 (6.3)	63-106 kg (139-233 lbs)

Weights with smallest and biggest flanges

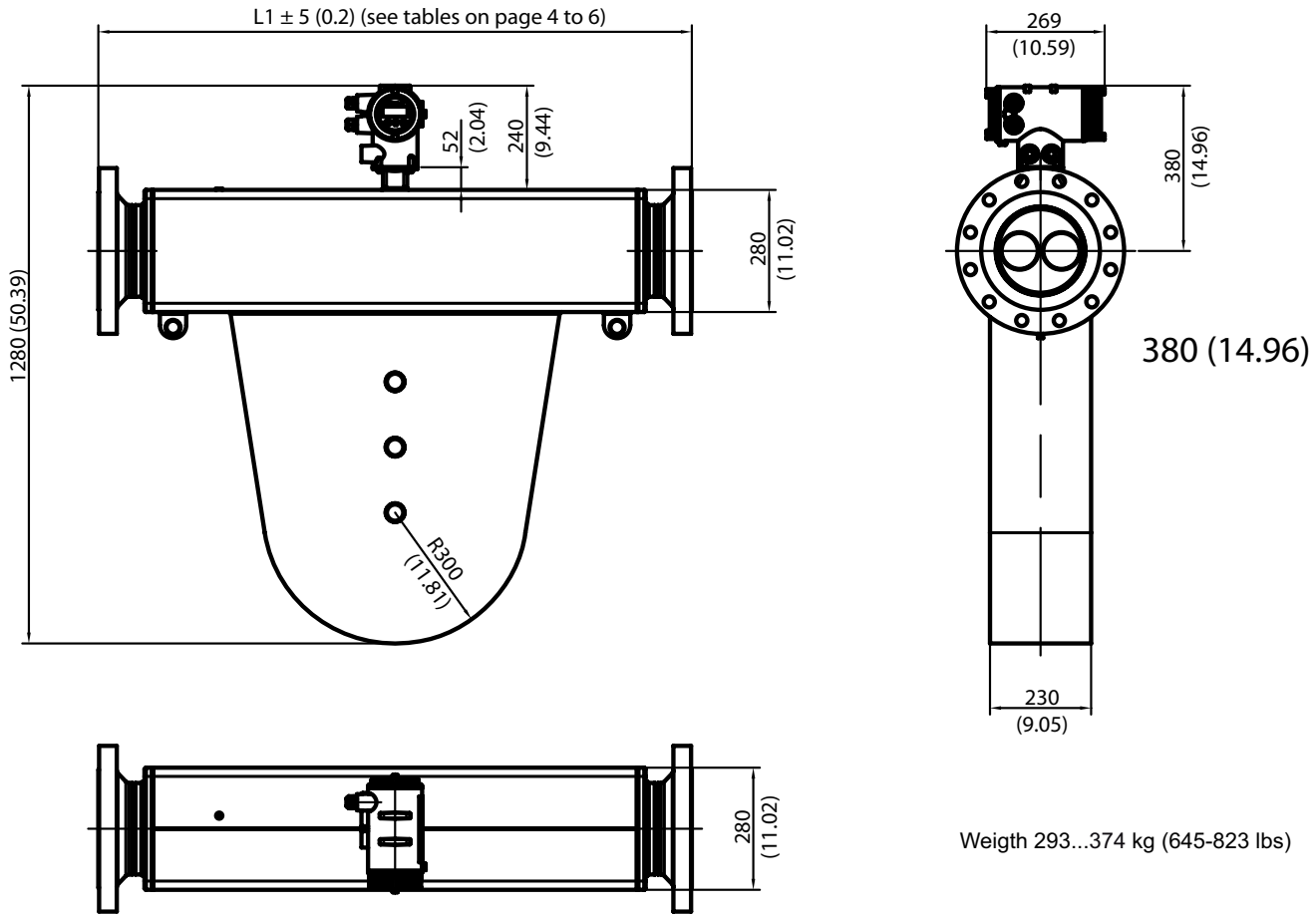
**Dimensions : RCCT39/IR-□□□□□□□□□□/V2**



Weight 98...152 kg (215... 334 lbs)

Dimensions in mm (inches)

**Dimensions : RCCT39/XR flange type**



Dimensions in mm (inches)

**JIS- flange dimensions:**

model code	pressure rate									pressure rate								
	JIS class 10K (J1)									JIS class 20K (J2)								
RCCT3[-][□]	D	D1	D2	R	t	L1	L1(HC)	d		D	D1	D2	R	t	L1	L1(HC)	d	
RCCT34	-01	95	70	15	4	12.3	370	----	15,7	95	70	15	4	14.3	370	390	15,7	
	-02	125	90	19	4	14.3	370	390	26,7	125	90	19	4	16.3	370	390	26,7	
	-04	140	105	19	4	16.3	370	390	40,7	140	105	19	4	18.3	370	390	40,7	
RCCT36	-02	125	90	19	4	14.3	500	----	26,7	125	90	19	4	16.3	500	----	26,7	
	-04	140	105	19	4	16.3	500	520	40,7	140	105	19	4	18.3	500	520	40,7	
	-05	155	120	19	4	16.3	500	520	52,7	155	120	19	8	18.3	500	520	52,7	
RCCT38	-04	140	105	19	4	16.3	600	----	40,7	140	105	19	4	18.3	600	----	40,7	
	-05	155	120	19	4	16.3	600	620	52,7	155	120	19	4	18.3	600	620	52,7	
	-08	185	150	19	8	18.3	600	620	78,2	200	160	23	8	22.3	610	620	78,2	
RCCT39	-08	185	150	19	8	18.8	1000	1020	78,2	200	160	23	8	22.8	1000	1020	78,2	
	-10	210	175	19	8	18.8	1000	1020	102,7	225	185	23	8	24.8	1000	1020	102,7	
	-12	250	210	23	8	20.8	1000	1020	128	270	225	25	8	26.8	1000	1020	128	
RCCT39/IR	-10	210	175	19	8	18.8	1100	----	102,7	225	185	23	8	24.8	1100	----	102,7	
	-12	250	210	23	8	20.8	1100	1100	128	270	225	25	8	26.8	1100	1100	128	
	-15	280	240	23	8	22.8	1100	1100	151,7	305	260	25	12	28.8	1100	1100	151,7	

dimensions in [mm]

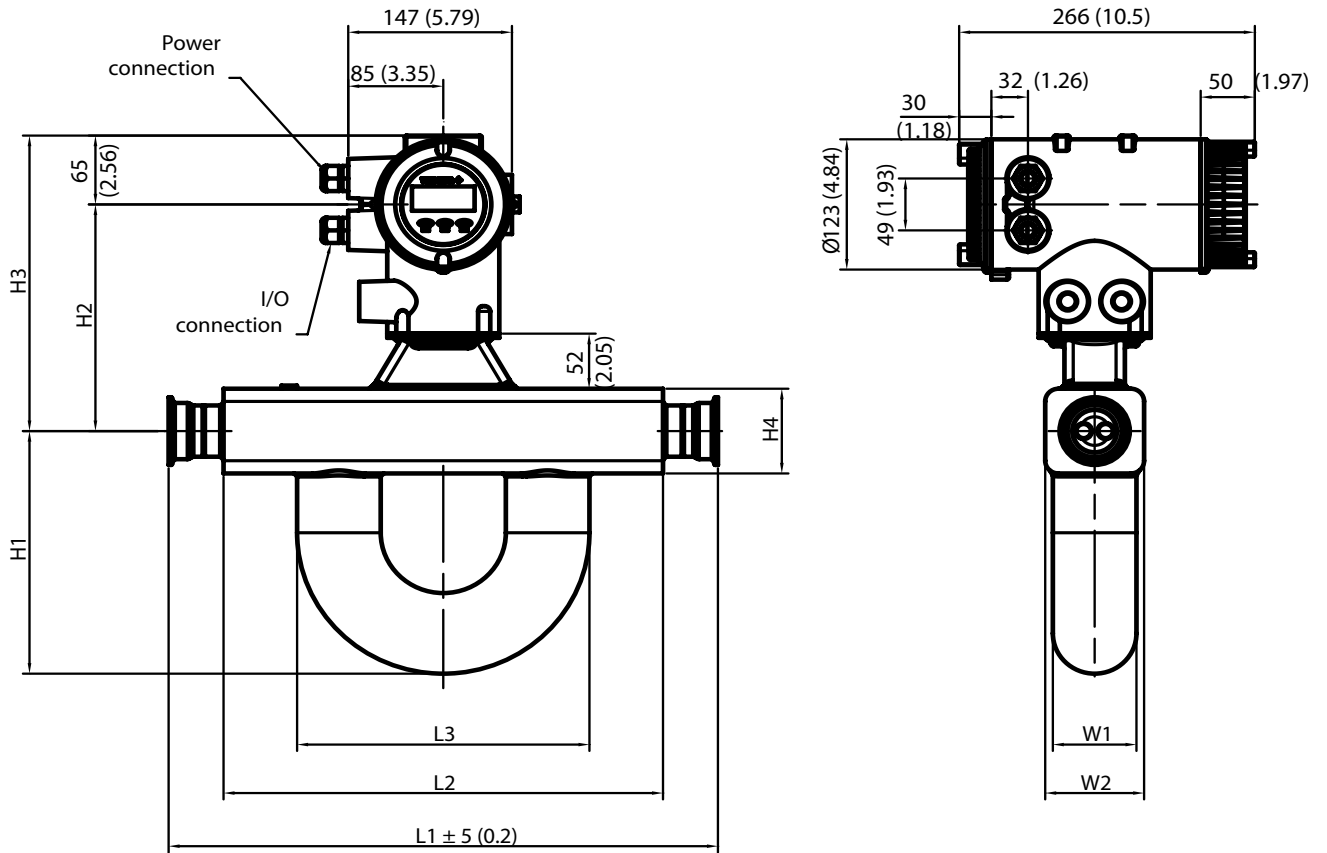


# ASME- flange dimensions:

model code	pressure rate																							
	ASME class 150 (A1)								ASME class 300 (A2)															
	D1	D2	R	t	L1	L1 (HC)	d	D	D1	D2	R	t	L1	L1 (HC)	d	D								
RCCS3[-][II]																								
RCCS34	-01	90	60.3	15.9	4	11.9	370	---	15.7	95	66.7	15.9	4	15	370	---	15.7	95	66.7	15.9	4	21.6	380	15.7
	-02	110	79.4	15.9	4	15	370	390	26.7	125	88.9	19.1	4	18.2	370	390	26.7	125	88.9	19.1	4	24.8	390	26.7
	-04	125	98.4	15.9	4	18.2	380	390	40.7	155	114.3	22.4	4	21.4	380	390	40.7	155	114.3	22.4	4	29.6	400	40.7
RCCS36	-02	110	79.4	15.9	4	15	500	---	26.7	125	88.9	19.1	4	18.2	500	---	26.7	125	88.9	19.1	4	24.8	520	26.7
	-04	125	98.4	15.9	4	18.2	500	520	40.7	155	114.3	22.4	4	21.4	510	520	40.7	155	114.3	22.4	4	29.6	530	40.7
	-05	150	120.7	19.1	4	19.8	510	520	52.7	165	127	19.1	8	23	510	520	52.7	165	127	19.1	8	32.7	540	52.7
RCCS38	-04	125	98.4	15.9	4	18.2	600	---	40.7	155	114.3	22.4	4	21.4	600	---	40.7	155	114.3	22.4	4	29.6	620	40.7
	-05	150	120.7	19.1	4	19.8	600	620	52.7	165	127	19.1	8	23	600	620	52.7	165	127	19.1	8	32.7	630	52.7
	-06	180	139.7	19.1	4	23	610	620	62.9	190	149.2	22.4	8	26.2	610	620	62.9	190	149.2	22.4	8	35.9	640	62.9
	-08	190	152.4	19.1	4	24.6	610	620	78.2	210	168.3	22.4	8	29.3	620	620	78.2	210	168.3	22.4	8	39.1	640	78.2
RCCS39	-08	190	152.4	19.1	4	24.6	1000	1020	78.2	210	168.3	22.4	8	29.3	1000	1020	78.2	210	168.3	22.4	8	39.1	1000	78.2
	-10	230	190.5	19.1	8	24.6	1000	1020	102.7	255	200	22.4	8	32.5	1000	1020	102.7	275	215.9	25.4	8	45.4	1030	102.7
	-12	255	215.9	22.4	8	24.6	1000	1020	128	280	235	22.4	8	35.7	1000	1020	128	330	266.7	28.6	8	51.8	1040	128
RCCS39/IR	-10	230	190.5	19.1	8	24.6	1100	---	102.7	255	200	22.4	8	32.5	1100	---	102.7	275	215.9	25.4	8	45.4	1100	102.7
	-12	255	215.9	22.4	8	24.6	1100	1100	128	280	235	22.4	8	35.7	1100	1100	128	330	266.7	28.6	8	51.8	1160	128
	-15	280	241.3	22.4	8	26.2	1100	1100	154.8	320	269.9	22.4	12	37.3	1100	1100	154.8	355	292.1	28.6	12	55	1200	154.8
RCCS39/XR	-15	280	241.3	22.4	8	26.2	1350	---	154.8	320	269.9	22.4	12	37.3	1350	---	154.8	---	---	---	---	---	---	---
	-20	345	298.5	22.4	8	29.3	1350	---	202.8	380	330.2	25.4	12	42	1350	---	202.8	---	---	---	---	---	---	---

dimensions in [mm]

**Dimensions : RCCT34, RCCT36, RCCT38, RCCT39 clamp type**

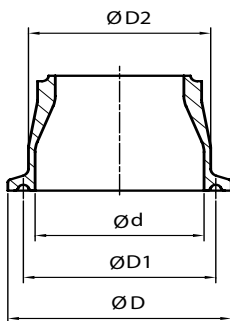


Dimensions in mm (inches)

Model		L1	L2	L3	H1	H2	H3	H4	W1	W2	Weight
RCCT34	mm (inches)	370 (14.54)	272 (10.7)	212 (8.35)	177 (6.97)	214 (8.43)	279 (11)	80 (3.15)	60 (2.36)	80 (3.15)	13-24 kg (29-53 lbs)
RCCT36	mm (inches)	500 (19.66)	400 (15.7)	266 (10.5)	230 (9.06)	214 (8.43)	279 (11)	80 (3.15)	76 (2.99)	90 (3.54)	18-38 kg (40-84 lbs)
RCCT38	mm (inches)	600 (23.59)	490 (19.3)	267 (10.5)	269 (10.6)	224 (8.82)	289 (11.4)	100 (3.94)	89 (3.5)	110 (4.33)	28-53 kg (62-117 lbs)
RCCT39	mm (inches)	1000 (39.31)	850 (33.5)	379 (14.9)	370 (14.6)	240 (9.45)	306 (12)	135 (5.31)	129 (5.08)	160 (6.3)	63-106 kg (139-233 lbs)

Same dimensions for outer thread type acc. DIN 11851.

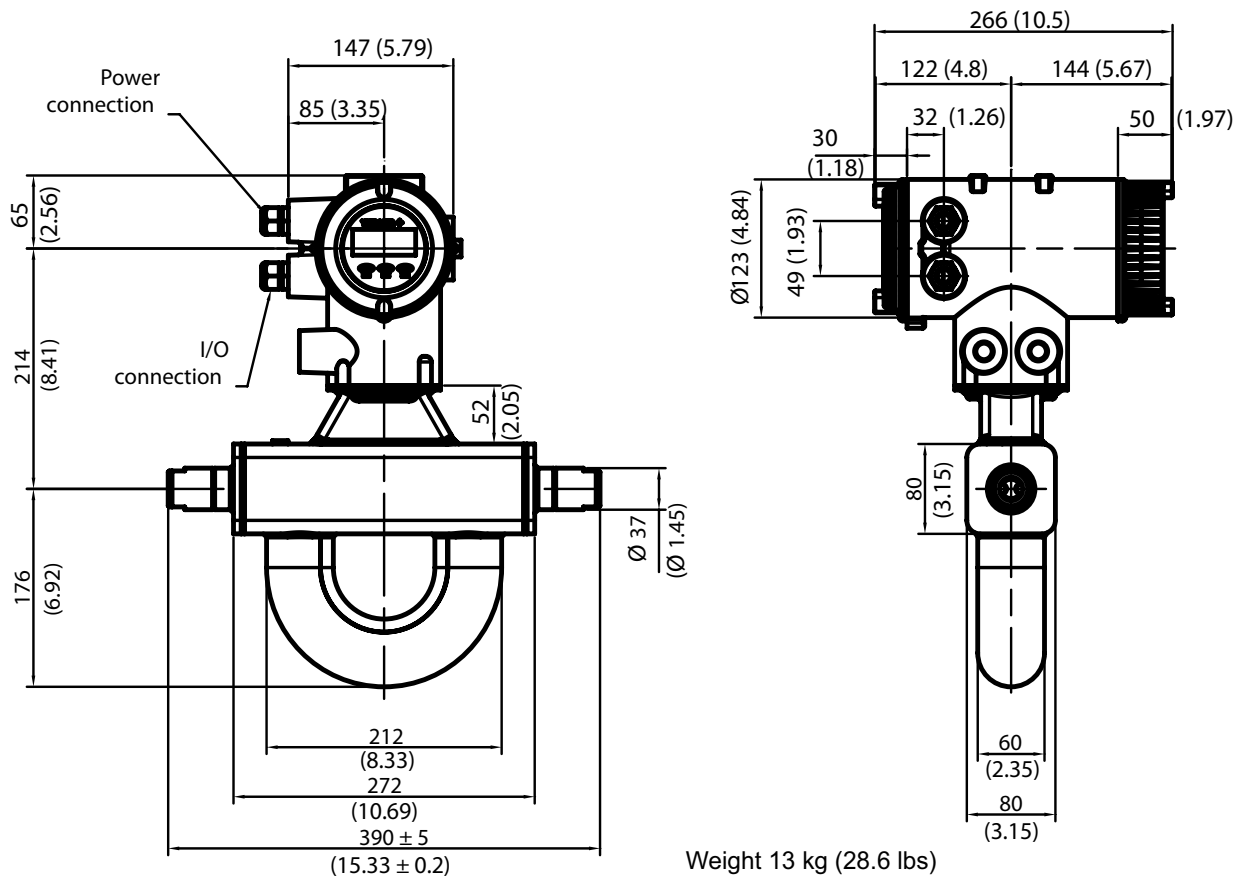
**Clamp dimensions :**



Model		DIN clamp (S4)				Tri-clamp (S8)			
		D	D1	D2	d	D	D1	D2	d
RCCT34	-02S[]	50.4	43.4	29.1	26.1	50.4	43.4	25.4	22.1
	-04S[]	50.4	43.4	41.1	38.1	50.4	43.4	38.1	34.8
RCCT36	-04S[]	50.4	43.4	41.1	38.1	50.4	43.4	38.1	34.8
	-05S[]	63.9	56.4	53.1	50.1	63.9	56.4	50.8	47.5
RCCT38	-05S[]	63.9	56.4	53.1	50.1	63.9	56.4	50.8	47.5
	-06S[]	90.9	83.4	70.1	66.1	-	-	-	-
	-08S[]	-	-	-	-	90.8	83.4	76.2	72.9
RCCT39	-10S[]	118.9	109.9	104.0	100.1	118.9	109.9	104.0	98.3

Dimensions in mm

**Dimensions : RCCT34 inner thread type:**



Weight 13 kg (28.6 lbs)

Dimensions in mm (inches)



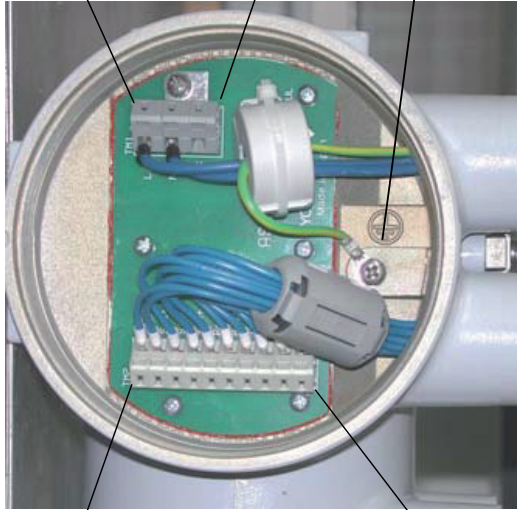
Power- and I/O- wiring :

Sout-	Pulse / Status output 2 (Sout)
Sout+	
Sin-	Status input (Sin )
Sin+	
Pout-	Pulse / Status output 1 (Pout)
Pout+	*)
RS485 A Iout2-	Analog output 2 (Iout 2)
RS485 B Iout2+	*) ***)
FFout- Iout1-	Analog output 1 (Iout 1)
FFout+ Iout1+	*) **)

\*) with /□F5 intrinsic safe output

\*\*) with /FB only FFout terminals

\*\*\*) with /MB□ only RS485 terminals



depending on model code

L/+	Power Supply DC (20.5 to 28.8VDC)	Power Supply AC (90 to 264VAC)
N/-	Power Supply DC (20.5 to 28.8VDC)	Power Supply AC (90 to 264VAC)
G		

