

# AQ1100 MFT-OLTS

Multi Field Tester OLTS

## Optical Loss Test Set

Supports MM850/1300 nm and SM1310/1550/1625 nm,  
and up to +27 dBm with optical power meter



### Light Source + Optical Power Meter in One

- Light Sources (3 models)
  - SM1310/1550 nm
  - SM1310/1550/1625 nm
  - MM850/1300 nm and SM1310/1550 nm
- Optical Power Meter Selections
  - Standard: +10 to -70 dBm
  - High power: +27 to -50 dBm
  - PON : 1490/1550 nm Parallel measurement

### Excellent Functionality and Operability

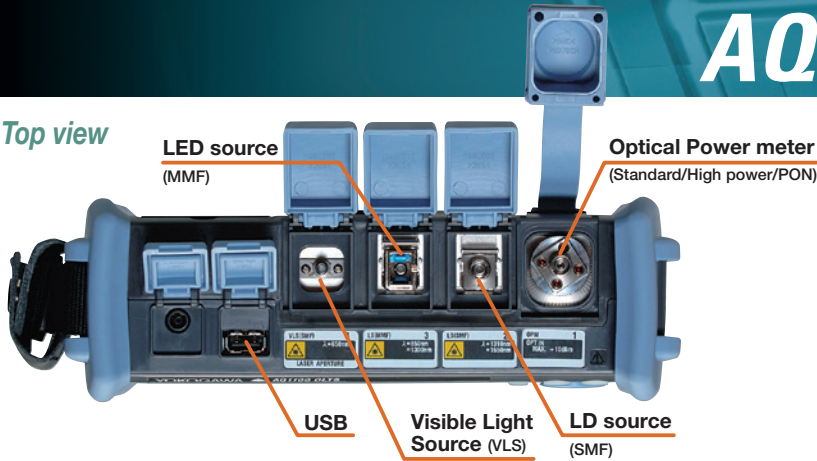
- 5.7 inch color LCD for easy viewing
- Multi-Language support
- Multi-core fiber measurement with a pair set
- USB port for data storage
- PING Test function (optional)
- Visible light Source (optional)

QUALITY ■ INNOVATION ■ FORESIGHT

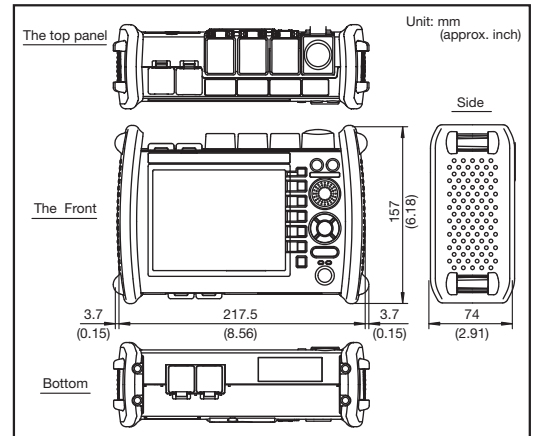
# Multi Field Tester OLTS

# AQ1100 MFT-OLTS

## Top view



## Dimensions



## Specifications

Models		AQ1100A	AQ1100B	AQ1100D
Light source	Wavelength (nm) <sup>1</sup>	1310/1550 ±25	1310/1550/1625 ±25	1310/1550 ±25 (SM) 850/1300 ±30 (GI)
	Light emitting device	LD	LD	LD (SM), LED (GI)
	SM (LD) Spectral width (nm) <sup>1,2</sup>	<5 / <10	<5 / <10 / <10	<5 / <10
	GI (LED) Spectral width (nm) <sup>1,3</sup> (FWHM)	—	—	40 (typ)/140 (typ)
	Optical output level (dBm)	-3 ±1	-3 ±1	SM: -3 ±1, GI: -20 ±1
	Level stability (dB) <sup>4</sup>	±0.05	±0.05	SM: ±0.05, GI: ±0.1
	Modulation mode	CW, CHOP (270 Hz, 1 kHz, 2 kHz) <sup>5</sup>		
	Applicable fiber	SM (ITU-T G.652)		SM (ITU-T G.652), GI (50/125 μm)
	Optical Connector	SC, FC, Ø1.25 ferrule, SC/Angled-PC		SC, FC, Ø1.25 ferrule
	Laser class	Class 1		

Built-in Optical Powermeter			
	Standard (/SPM)	High Power (/HPM)	PON (/PPM)
Wavelength setting	Simple mode: 850/1300/1310/1490/1550/1625/1650 nm Detail mode: 850 nm to 1650 nm, 1 nm step CWDM mode: 1270 nm to 1610 nm 20 nm step		1310/1490/1550 nm (1490 nm and 1550 nm can be measured separately)
Applicable fiber	SM (ITU-T G.652) GI (50/125 μm)		SM (ITU-T G.652)
Power range	+10 to -70 dBm (CW) +7 to -70 dBm (CHOP)	+27 to -50 dBm (CW) +24 to -50 dBm (CHOP) <sup>6</sup>	+27 to -50 dBm: 1550 nm +10 to -70 dBm: 1310/1490 nm
Noise level	0.5 nW (-63 dBm, 1310 nm)	50 nW (-43 dBm, 1310 nm)	0.5 nW (-63 dBm, 1310 nm) 50 nW (-43 dBm, 1550 nm)
Uncertainty under standard conditions <sup>7</sup>	±5%	±5%	±0.5 dB (10%)
Readout resolution	0.01		
Level unit	Absolute: dBm, mW, μW, nW Relative: dB		
Modulation mode	CW CHOP (270/1 k/2 kHz)	CW CHOP (270/1 k/2 kHz)	CW
Average function	1, 10, 50 and 100 times		
Logging function	Measurement intervals: 500 ms, 1 s, 2 s, 5 s, 10 s, Measurement count: 10 to 1000		

General Specifications	
Display	5.7 inch color LCD (640×480)
Loss test mode (only with /SPM or /HPM)	Auto loss test, Loopback test, Multi-core loss test
Internal memory	128 MByte
External interface	USB1.1 TypeA and TypeB (mini) 1 ea.
Power supply	AC/DC adaptor: 100 to 120 VAC, 200 to 240 VAC, 50/60 Hz Battery: Li-ion, duration 6 hour <sup>8</sup> , charging time 5 hours
Dimensions and mass	217.5 mm (W) × 157 mm (H) × 74 mm (D) (excl. projections) Approx. 1 kg (incl. internal battery)
Environmental condition	Operating environment: Temperature 0 to 45°C (0 to 35°C when charging the battery) Humidity 85% RH or less (no condensation) Storage environment: Temperature -20 to 60°C, Humidity 85% RH or less (no condensation)
Safety standard	EN61010-1, EN60825-1 (laser safety)
EMC	EN61326-1 Class A, EN55011 Class A Group 1, C-Tick EN55011 Class A Group 1

Factory Installed Options		
Visible light source (VLS)	Optical connector	Ø2.5 ferrule type
	Wavelength and optical output level	650 nm ±20 nm, peak value -3 dBm or more
	Modulation mode	CHOP 2 Hz
	Laser class	Class 3R
LAN interface (/LAN)	10BASE-T/100BASE-TX RJ-45 connector	Ping test, PC remote control

The specifications are at 23°C ±2°C unless otherwise noted. <sup>1</sup>: 23°C ±2°C, CW <sup>2</sup>: RMS (2σ, -20 dB) <sup>3</sup>: Envelope (-3 dB) <sup>4</sup>: for 15 minutes at a constant temperature within 23°C ±2°C <sup>5</sup>: CW and 270 Hz only at 850 nm and 1300 nm <sup>6</sup>: Except for 850 nm and 1650 nm. <sup>7</sup>: 23°C ±2°C, standard conditions (CW, 1310 nm, 100 μW, SMF), at 1550 nm for /PPM. <sup>8</sup>: LD ON. (in screen save mode)

## Model and suffix codes

Model	Suffix code	Descriptions
AQ1100A		LS: 1310/1550 nm
AQ1100B		LS: 1310/1550/1625 nm
AQ1100D		LS: MM850/1300, SM1310/1550 nm
Language	-HJ	Japanese/English
	-HE	English
	-HC	Chinese/English
	-HK	Korean/English
	-HR	Russian/English
Power cord	-M	Complied with PSE
	-D	UL/CSA standard
	-F	VDE standard
	-R	AS standard
	-Q	BS, Singapore standard
	-H	GB standard, Complied with CCC
	-P	EK standard (S. Korea)
Optical power meter	-SPM	Optical power meter
	-HPM	High power optical power meter
	-PPM (AQ1100A only)	PON Optical power meter
Optical connector	-USC	SC type (LS port, and OPM port)
	-UFC	FC type (LS port, and OPM port)
	-ULC	LC type (LS port, and OPM port for -PPM), Ø1.25 adapter (OPM port for -SPM and -HPM)
	-ASC (except AQ1100D)	SC/Angled-PC type (LS port, and OPM port for -PPM), SC type (OPM port for -SPM and -HPM)
Factory installed options	/VLS	Visible light source: optical connector: 2.5 φ ferrule
	/LAN	Ethernet (10/100BASE-TX)
	/SB	Shoulder belt
AC adapter	/AC1	Attach 739872 AC adapter*

\* Standard Accessories  
Power cord, AC adapter, battery pack, hand belt, user's manual (CD-ROM), operation guide  
\* For the US and the countries that require CE marking.

## Accessories

Model	Suffix code	Descriptions
SU2006A		Soft carrying case
735480 (For optical power meters)	-SCC	Connector adapter (SC)
	-FCC	Connector adapter (FC)
	-LMC	Ferrule adapter ( 1.25)
735481	-SCC	Universal adapter (SC)
	-FCC	Universal adapter (FC)
	-LCC	Universal adapter (LC)
739871	-M	Complied with PSE
	-D	UL/CSA standard
	-F	VDE standard
	-R	AS standard
	-Q	BS, Singapore standard
	-H	GB standard, Complied with CCC
	-P	EK standard (S. Korea)
739872 <sup>1</sup>	-D	UL/CSA standard
	-F	VDE standard
	-Q	BS, Singapore standard
739882		Battery pack (Spare)
B8070CY		Shoulder belt

\* For the US and the countries that require CE marking.

# YOKOGAWA

YOKOGAWA METERS & INSTRUMENTS CORPORATION

Global Sales Dept. /Phone: +81-422-52-6237 Facsimile: +81-422-52-6462  
E-mail: tm@cs.jp.yokogawa.com

YOKOGAWA CORPORATION OF AMERICA  
YOKOGAWA EUROPE B.V.  
YOKOGAWA SHANGHAI TRADING CO., LTD.  
YOKOGAWA ELECTRIC KOREA CO., LTD.  
YOKOGAWA ENGINEERING ASIA PTE. LTD.  
YOKOGAWA INDIA LTD.  
YOKOGAWA ELECTRIC CIS LTD.  
YOKOGAWA AMERICA DO SUL LTDA.  
YOKOGAWA AUSTRALIA PTY. LTD.  
YOKOGAWA MIDDLE EAST & AFRICA B.S.C(c)

Phone: +1-770-253-7000 Facsimile: +1-770-254-0928  
Phone: +31-88-4641000 Facsimile: +31-88-4641111  
Phone: +86-21-6239-6363 Facsimile: +86-21-6880-4987  
Phone: +82-2-2628-3810 Facsimile: +82-2-2628-3899  
Phone: +65-6241-9933 Facsimile: +65-6241-2606  
Phone: +91-80-4158-6000 Facsimile: +91-80-2852-8656  
Phone: +7-495-737-7868 Facsimile: +7-495-737-7869  
Phone: +55-11-5681-2400 Facsimile: +55-11-5681-4434  
Phone: +61-2-8870-1100 Facsimile: +61-2-8870-1111  
Phone: +973-17-358100 Facsimile: +973-17-336100

YMI-KS-HMI-SE01

Subject to Change without notice.  
Copyright © 2009, Yokogawa Electric Corporation  
Copyright © 2016, Yokogawa Meters & Instruments Corporation  
[Ed: 02/b]  
Printed in Japan, 602(KP)

<http://tmi.yokogawa.com/>