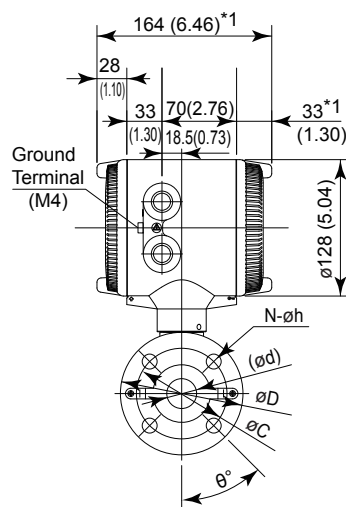


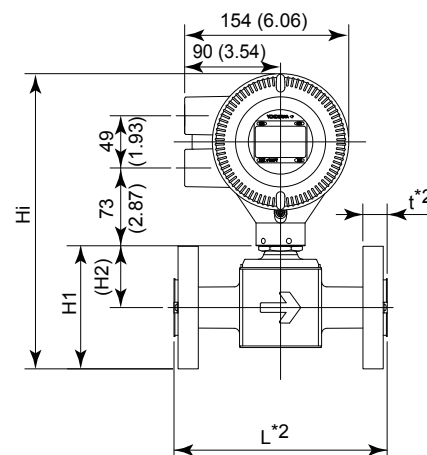
AXR025 Two-wire Magnetic Flowmeter Integral Flowmeter Lay Length Code 1 (JIS/ANSI/DIN Flange)



AXR025 ^G - □ 1 A □ 1 □ - B J 1
_C B J 2
 B A 1 1
 B A 2
 B D 4

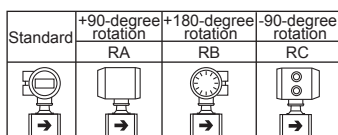


Unit: mm (approx. inch)



Process Connection	BJ1 (JIS10K)	BJ2 (JIS20K)	BA1 (ANSI Class 150)	BA2 (ANSI Class 300)	BD4 (DIN PN40)
Size code	025	025	025	025	025
Size	25 (1)	25 (1)	25 (1)	25 (1)	25 (1)
Lining code	A	A	A	A	A
Face-to-face length L ₃ ⁰⁺²	200 (7.87)	200 (7.87)	200 (7.87)	200 (7.87)	200 (7.87)
Outside dia. øD	125 (4.92)	125 (4.92)	108.0 (4.25)	124.0 (4.88)	115 (4.53)
Thickness t ^{*2}	18 (0.71)	20 (0.79)	18.2 (0.72)	21.5 (0.85)	22 (0.87)
Inter diameter of Grounding ring ød	28 (1.10)	28 (1.10)	28 (1.10)	28 (1.10)	28 (1.10)
Pitch circle dia. øC	90 (3.54)	90 (3.54)	79.2 (3.12)	88.9 (3.50)	85 (3.35)
Bolt hole interval θ°	45	45	45	45	45
Hole dia. øh	19 (0.75)	19 (0.75)	15.7 (0.62)	19.1 (0.75)	14 (0.55)
Number of holes N	4	4	4	4	4
Height H1	120 (4.74)	120 (4.74)	112 (4.40)	120 (4.74)	115 (4.54)
Height H2	58 (2.28)	58 (2.28)	58 (2.28)	58 (2.28)	58 (2.28)
Max. Height Hi	282 (11.09)	282 (11.09)	273 (10.76)	281 (11.07)	277 (10.90)
Weight kg (lb)	6.1 (13.4)	6.5 (14.3)	5.6 (12.3)	6.7 (14.7)	6.4 (14.1)

* When option code RA, RB, or RC is selected, the direction of electrical connection change as below.



*1: When indicator code N is selected, subtract 5 mm (0.2 inch) from the value in the figure.

*2: Depending on the selection of grounding ring code and optional code, add the following value to "L" (face-to-face length) and "t" (thickness of flange).

		L	t	L	t	L	t
Grounding Ring Code		S, L, H		P, T		N	
Optional Code	None	+0	+0	+26 (1.02)	+13 (0.51)	-2 (0.08)	-1 (0.04)
	GA, GC, GD (Special Gaskets)	+8 (0.31)	+4 (0.16)	+30 (1.18)	+15 (0.59)	-	-

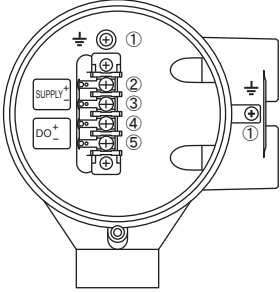
Unless otherwise specified, difference in the dimensions are specified as : General tolerance = ± (Criteria of tolerance class IT18 in JIS B0401) / 2

General-purpose Use/Explosion Proof Type except TIIS

/TIIS Explosion Proof Type (Style:S1):

Terminal configuration

Terminal wiring

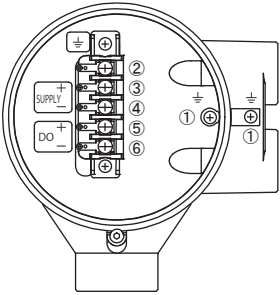


No.	Terminal Symbols	Description
①		Functional grounding
② ③	SUPPLY+ SUPPLY-	Power supply and current output
④ ⑤	DO+ DO-	Digital output (One output can be selected from pulse, alarm or status outputs.)

TIIS Explosion Proof Type (Style:S2):

Terminal configuration

Terminal wiring



No.	Terminal Symbols	Description
①		Functional grounding
②		Class A grounding
③ ④	SUPPLY+ SUPPLY-	Power supply and current output
⑤ ⑥	DO+ DO-	Digital output (One output can be selected from pulse, alarm or status outputs.)