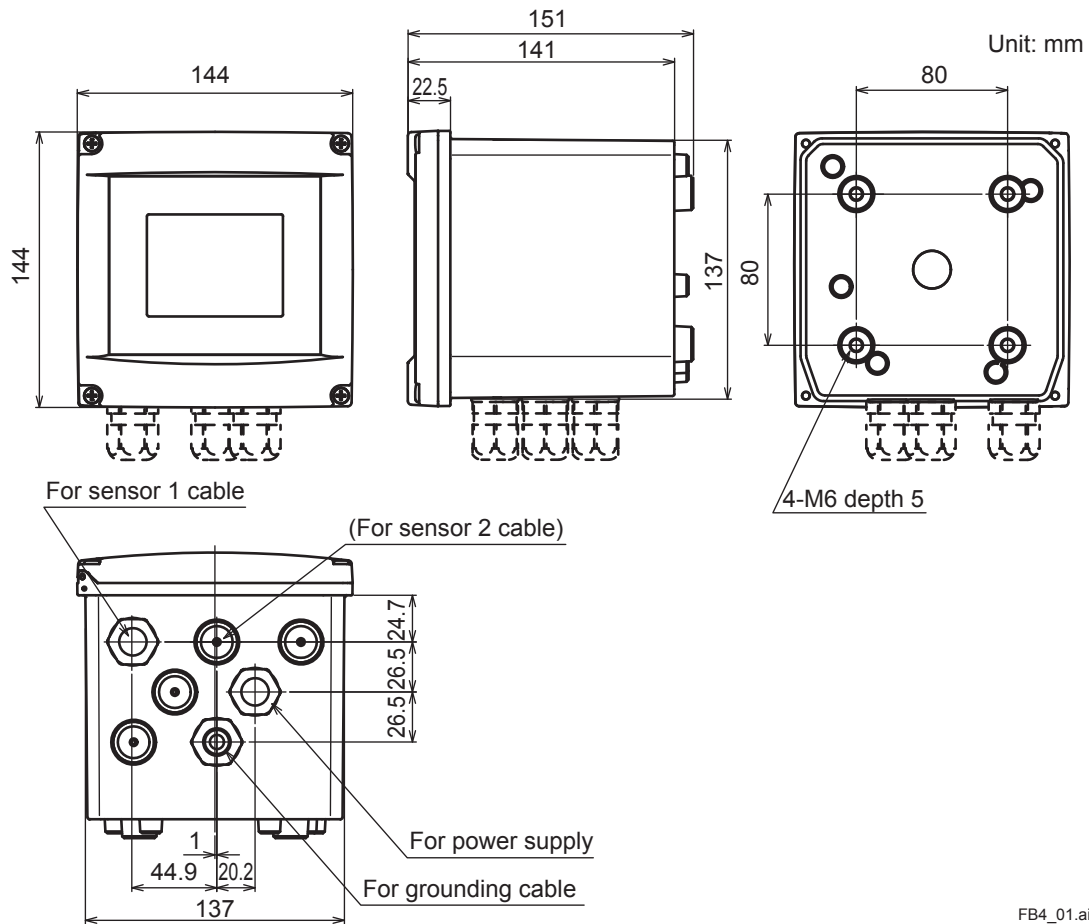


Drawings

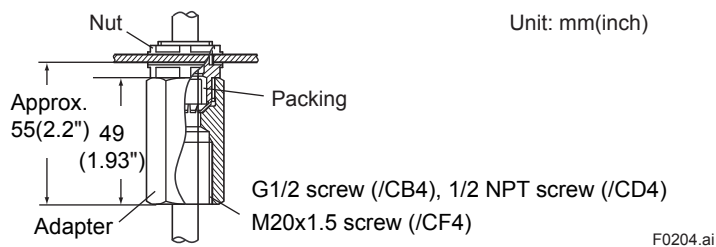
FLXA21-D-P 2-Wire Analyzer Plastic Housing



FB4_01.ai

Weight: Approx. 1 kg

Conduit Adapter (Option code: /CB4, /CD4, /CF4)

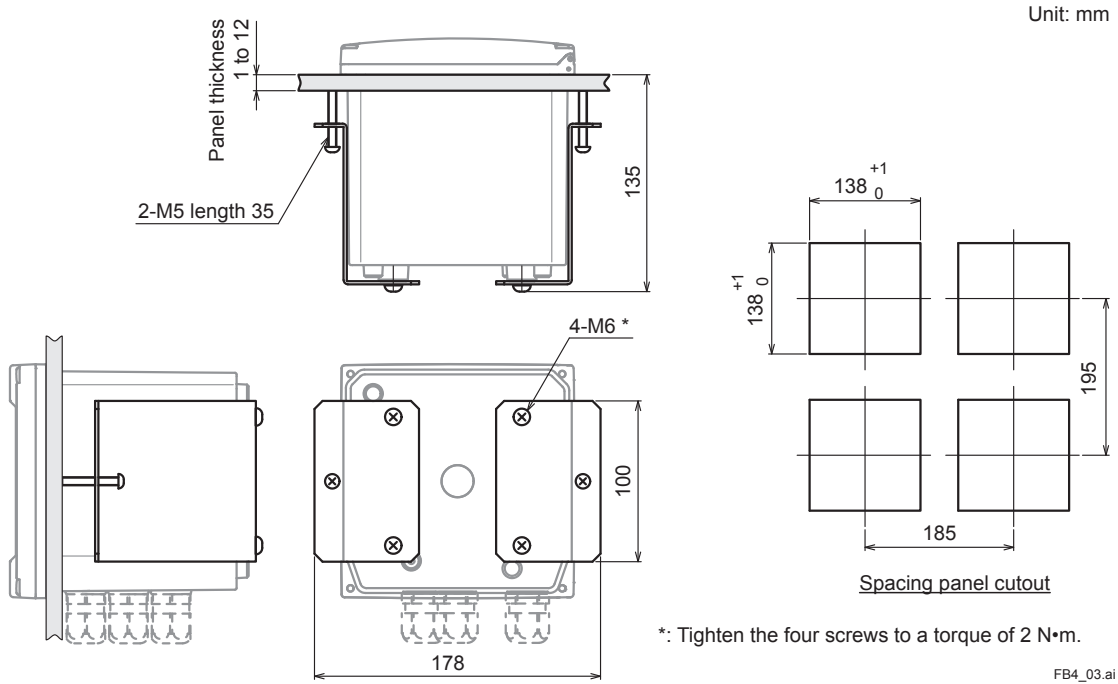


F0204.ai

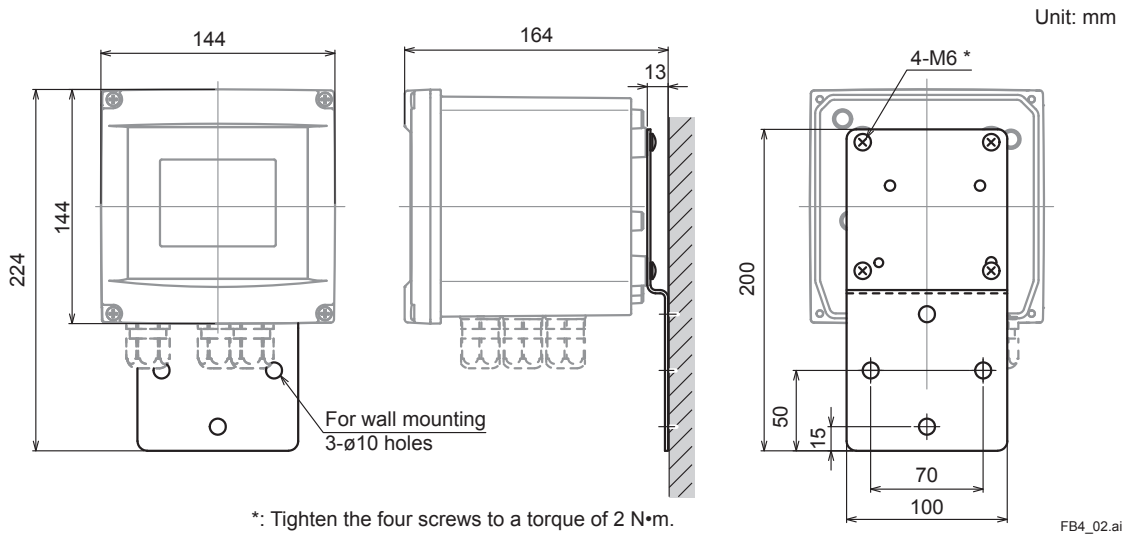
Unless otherwise specified, differences in the dimensions are specified as: General tolerance = \pm (Criteria of tolerance class IT18 in JIS B0401-1998)/2.

(Note) The universal mounting kit (/UM) contains the pipe and wall mounting hardware (/U) and the panel mounting hardware (/PM).

Panel mounting hardware (Option code: □ /PM, □ /UM)

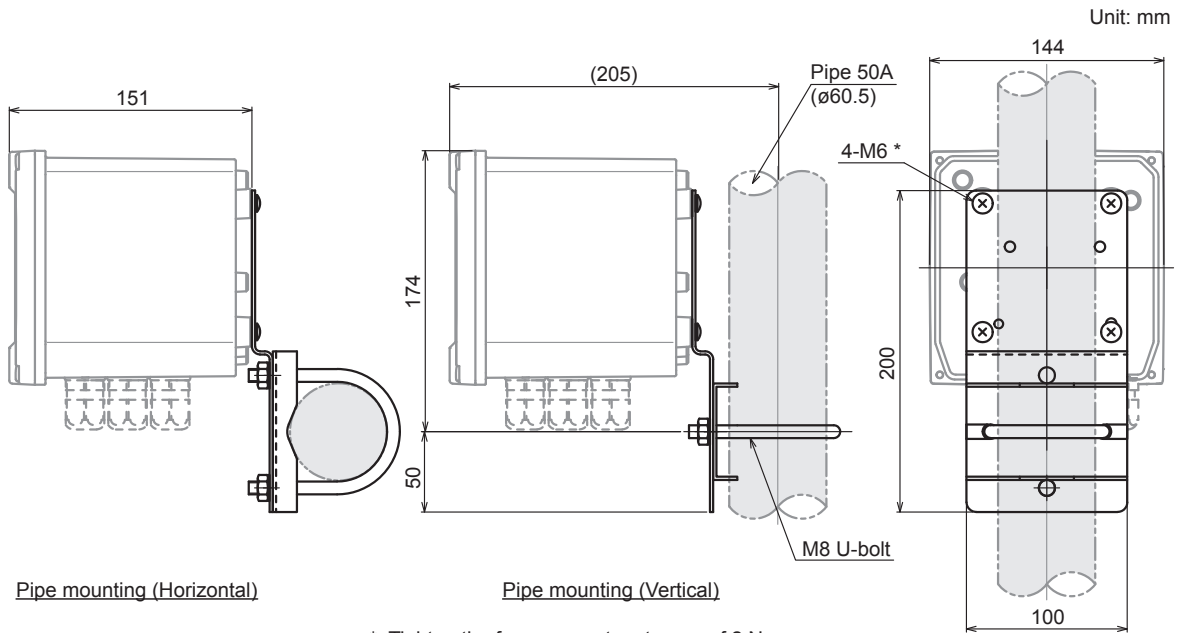


Wall mounting hardware (Option code: □ /U, □ /UM)



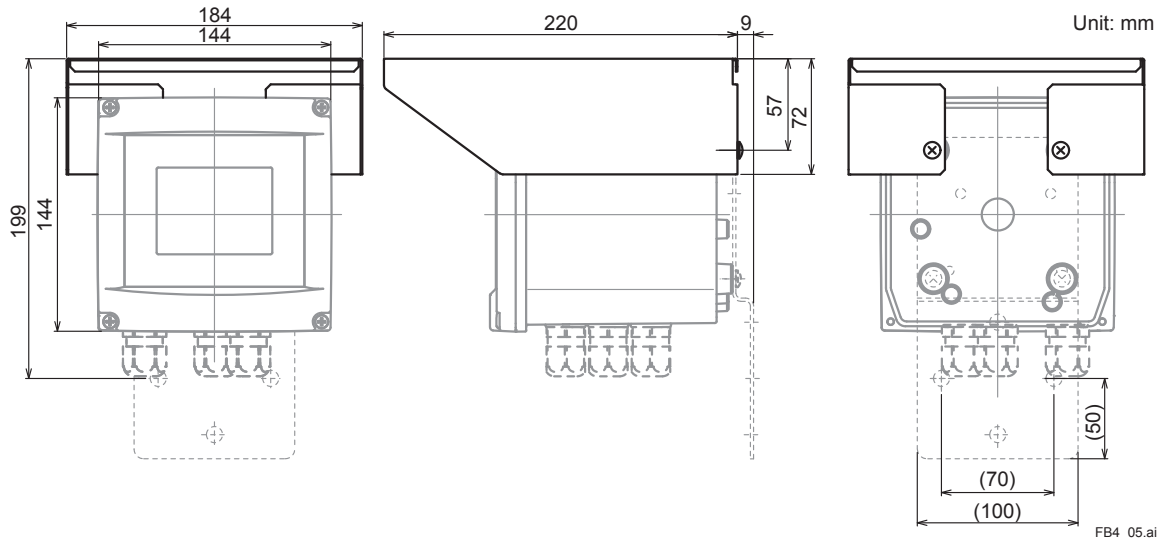
Unless otherwise specified, differences in the dimensions are specified as: General tolerance = ±(Criteria of tolerance class IT18 in JIS B0401-1998)/2.

Pipe mounting hardware (Option code: □ /U, □ /UM)



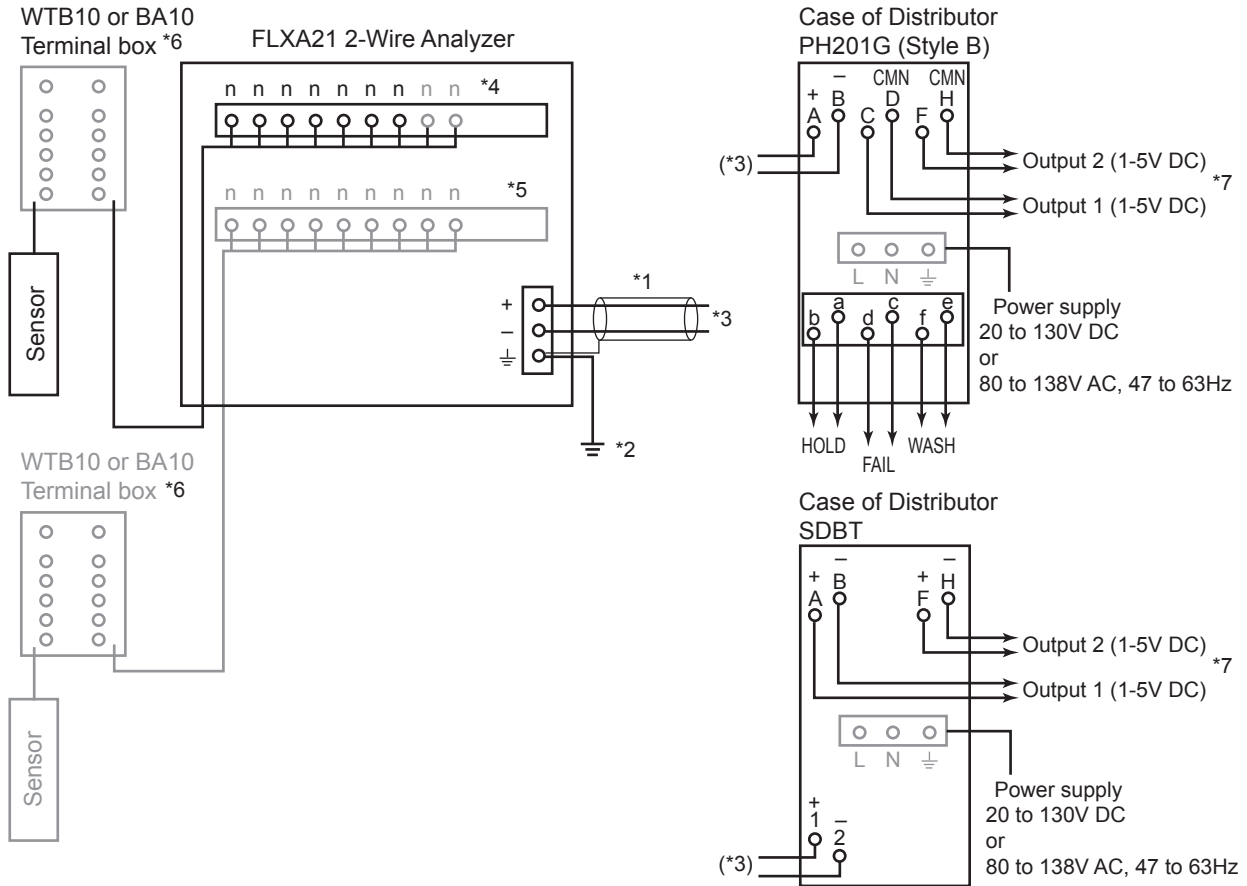
FB4_04.ai

Stainless steel hood (Option code: □ /H6, □ /H7, □ /H8)



Unless otherwise specified, differences in the dimensions are specified as: General tolerance = \pm (Criteria of tolerance class IT18 in JIS B0401-1998)/2.

■ Wiring Diagram



- *1: Use a 2-wire shielded cable with an outside diameter of 6 to 12 mm.
- *2: Connect the analyzer to gland. (Class D ground: 100 ohm or less)
Use a cable with an outside diameter of 3.4 to 7 mm for the grounding line of the plastic housing.
- *3: This line is connected to a distributor or 24V DC power supply.
- *4: Terminal numbers for each sensor module are shown below.
- *5: Two modules of the same kind of measurement/sensor type can be installed. When measuring inductive conductivity or pH/ORP with the SENCOM sensor, only one module can be installed.
- *6: The terminal box may be necessary depending on the sensor cable length and the distance between the analyzer and the sensor.
The SENCOM sensor is to be connected directly to the analyzer without a terminal box.
- *7: Two outputs, output 1 and output2, of PH201G or SDBT are same signals.

