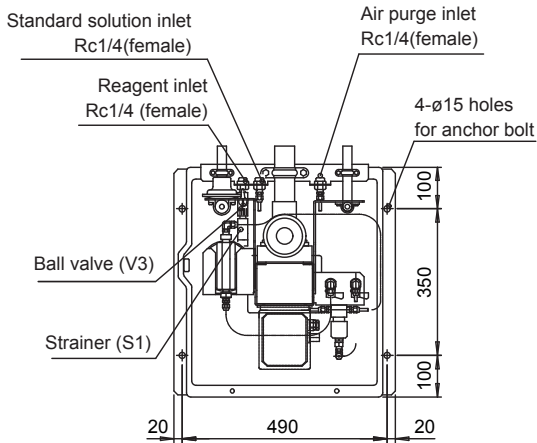


# Drawings

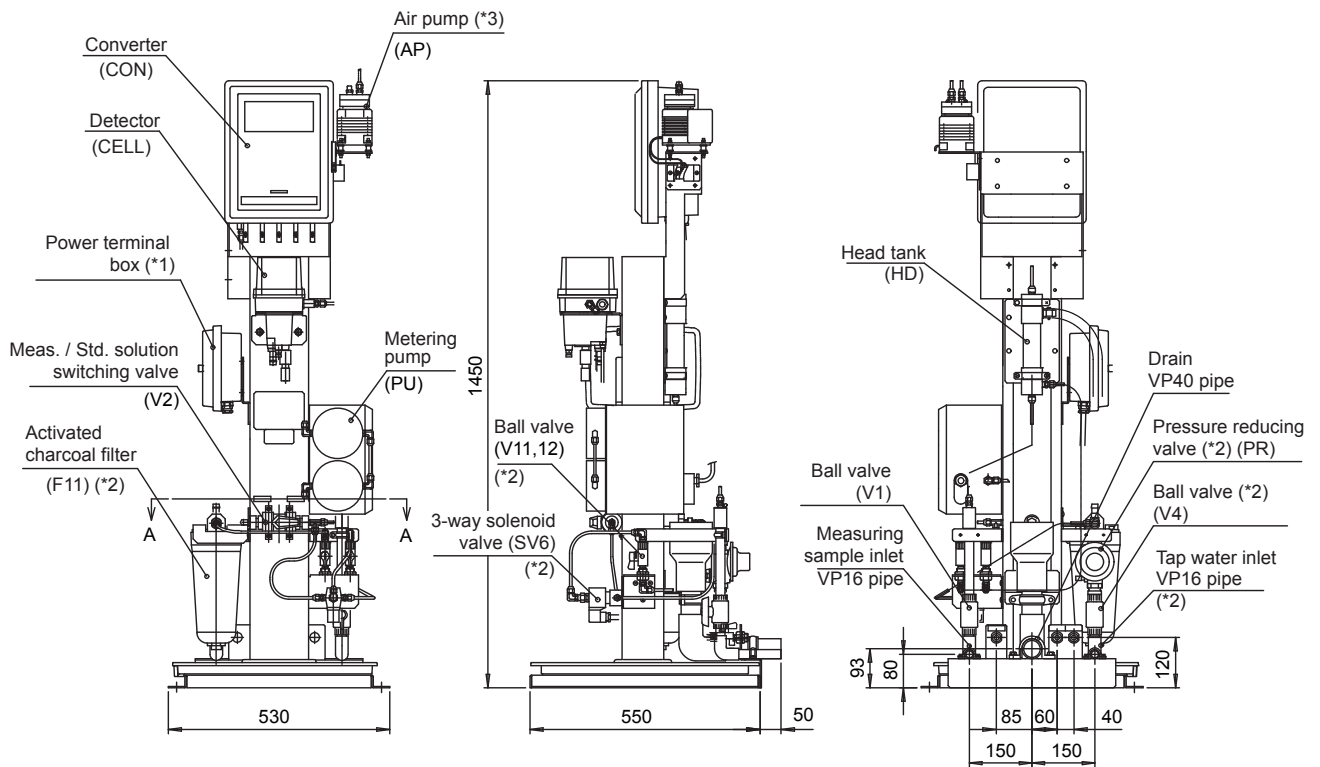
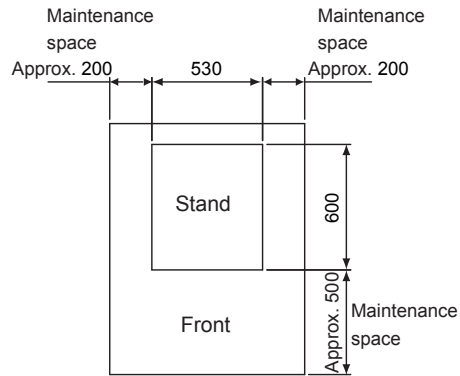
## RC400G-1 Residual Chlorine Analyzer (for pure water)

EXA RC

unit : mm



Cross section A-A



- (\*1) Option / ARS applies to model with arrestors
- (\*2) Option / AZC applies to model with auto zero calibration
- (\*3) Option / AP□ applies to model with air purge pump

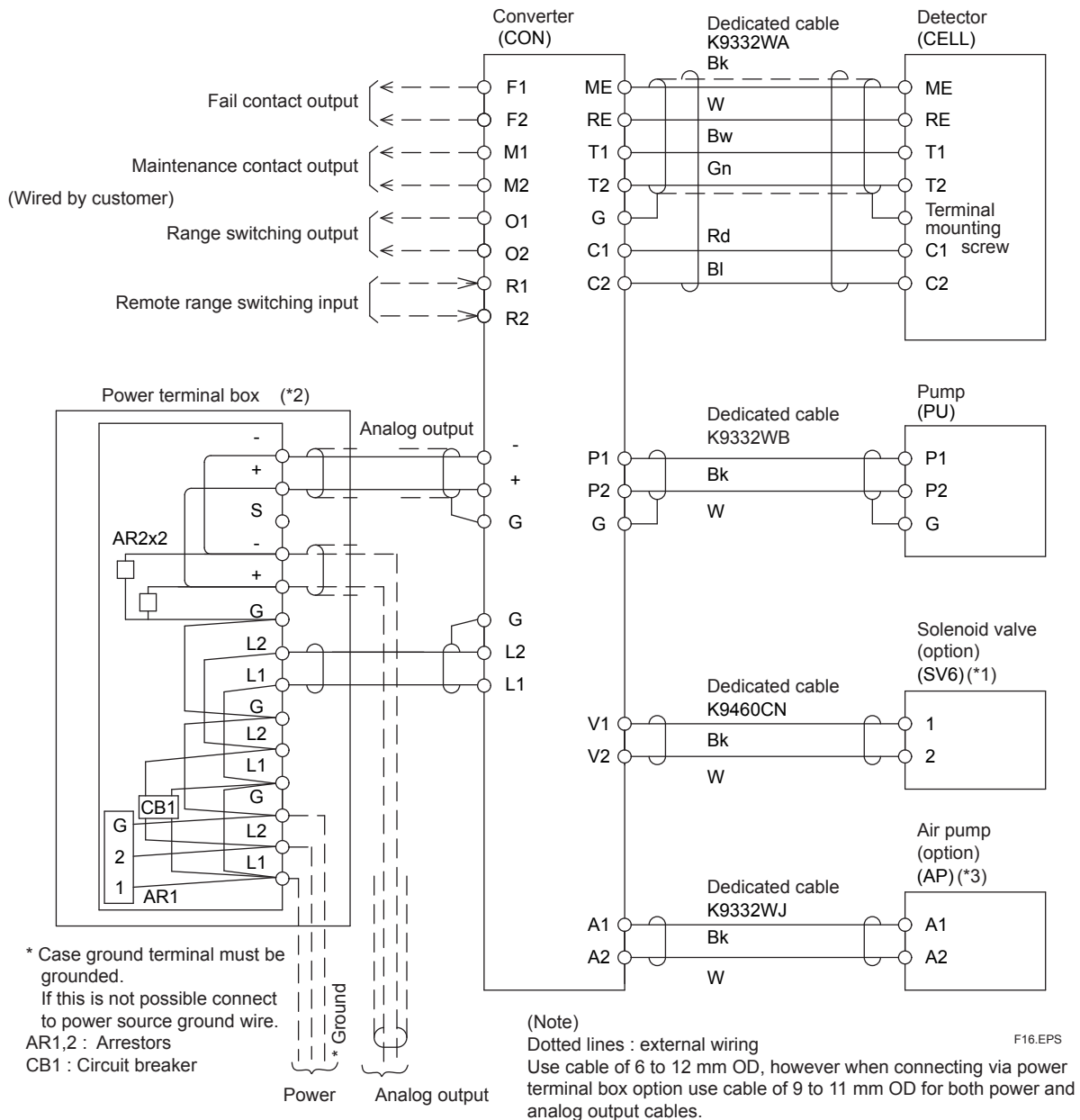
F2\_1E.ai

Weight: Approx. 65 kg

Unless otherwise specified, differences in the dimensions are specified as: General tolerance =  $\pm$  (Criteria of tolerance class IT18 in JIS B0401) / 2.

# Wiring Diagram

## ● RC400G-1/ARS/AZC



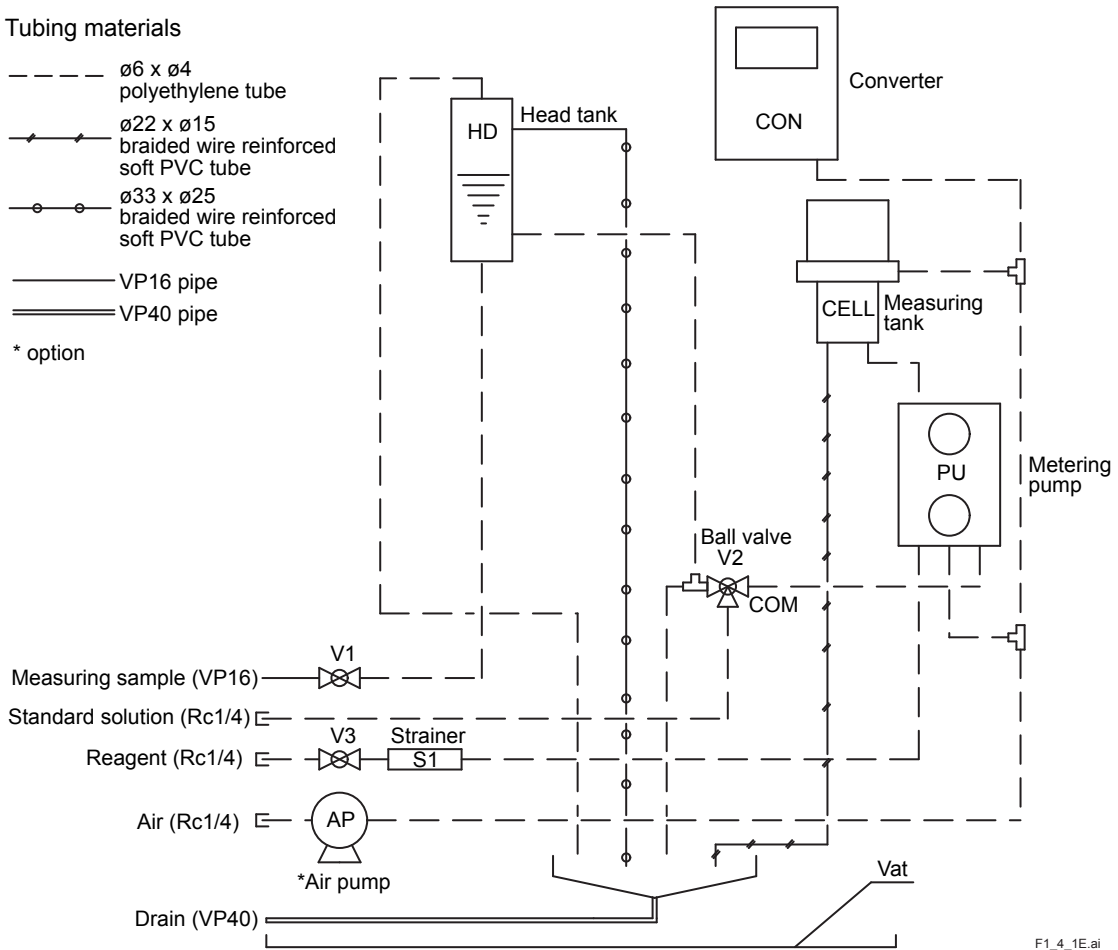
# Piping Diagram

## ● RC400G-1

### Tubing materials

- $\phi 6 \times \phi 4$   
polyethylene tube
- - - - -  $\phi 22 \times \phi 15$   
braided wire reinforced  
soft PVC tube
- - - - -  $\phi 33 \times \phi 25$   
braided wire reinforced  
soft PVC tube
- VP16 pipe
- =====  
VP40 pipe

\* option



F1\_4\_1E.ai

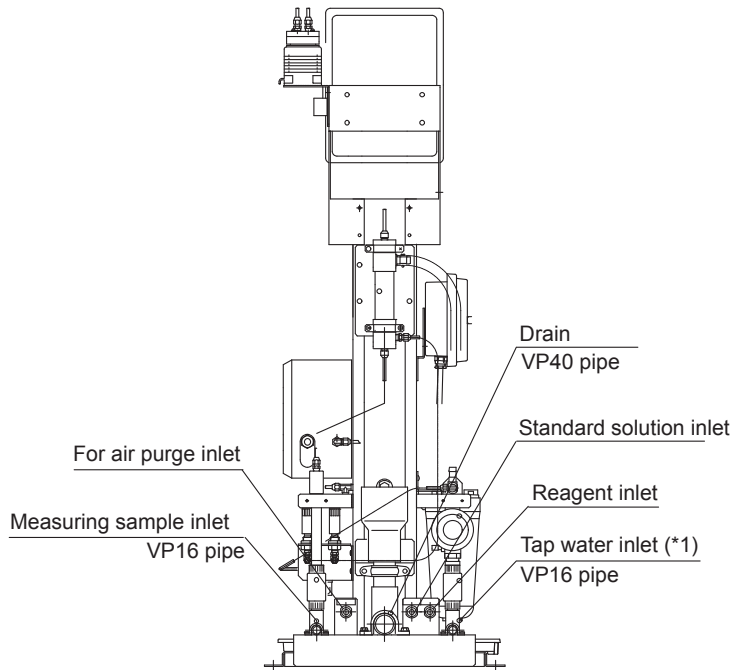
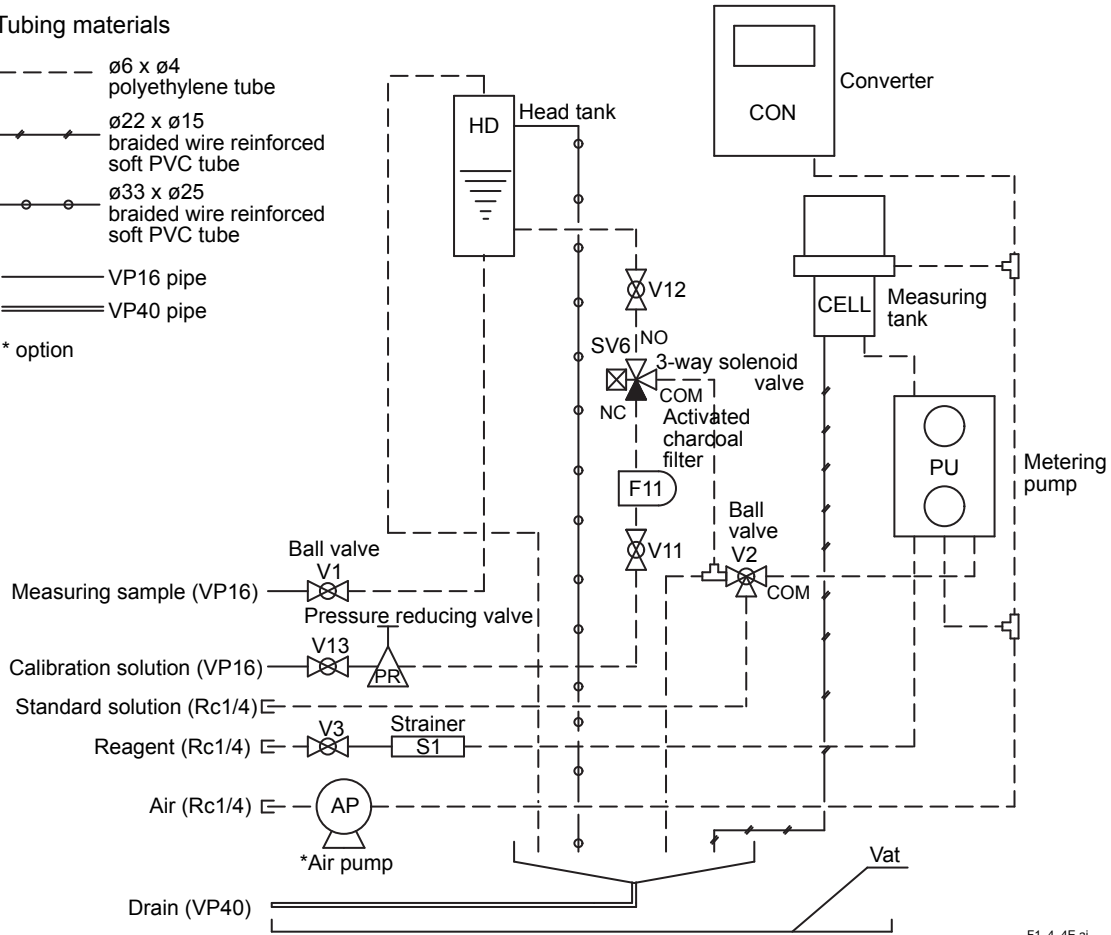
● RC400G-1/AZC with auto zero calibration

Tubing materials

- $\phi 6 \times \phi 4$  polyethylene tube
- $\phi 22 \times \phi 15$  braided wire reinforced soft PVC tube
- $\phi 33 \times \phi 25$  braided wire reinforced soft PVC tube

- VP16 pipe
- VP40 pipe

\* option



(\*1) Option /AZC applies to model with auto zero calibration

F3\_1\_1E.ai