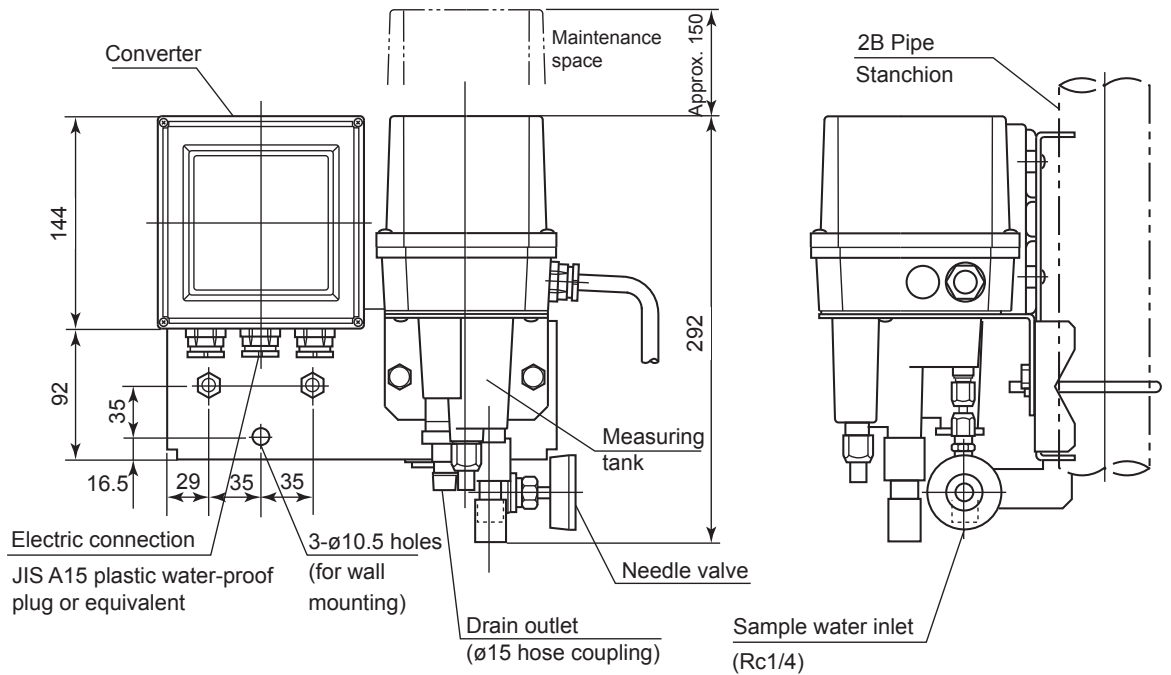
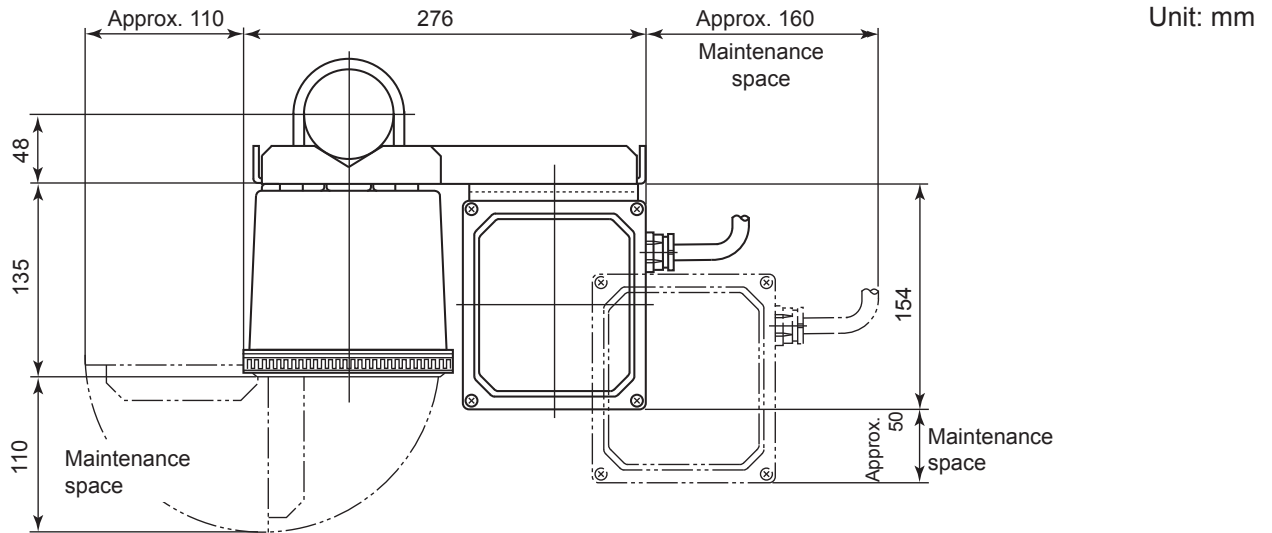


Drawings

Model FC400G Free Available Chlorine Analyzer (Non-reagent Type)

EXA FC

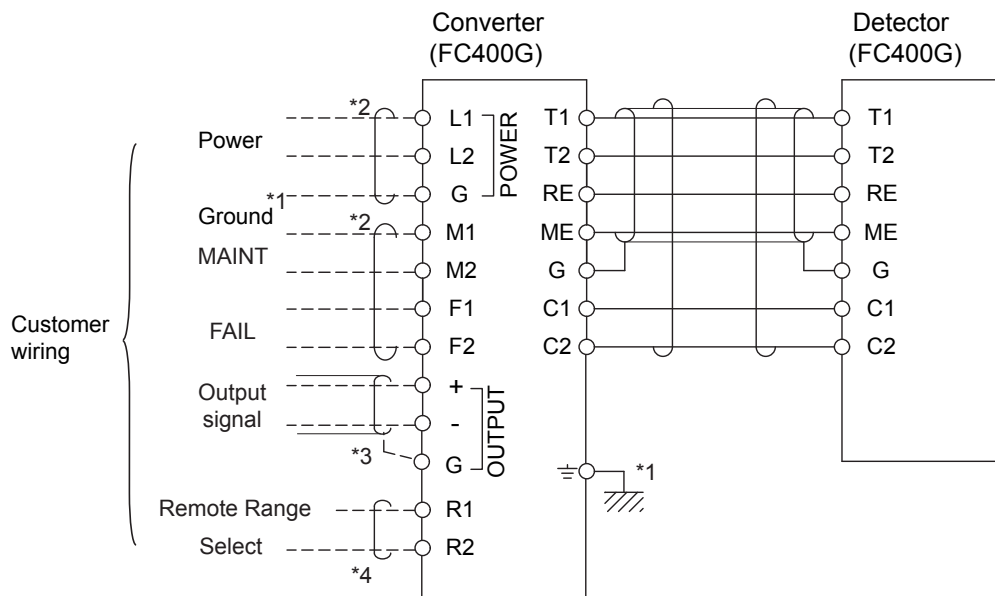


Weight: Approx. 6 kg

Unless otherwise specified, differences in the dimensions are specified as: General tolerance = ± (Criteria of tolerance class IT18 in JIS B0401-1986) / 2.

Wiring Diagram

Free Available Chlorine Analyzer



(Note) All are connected to wiring terminals (M3 screw) in the converter.

- *1: Be sure to ground the case ground terminal (M4 screw), or if this is not possible then connect to G of power wiring. Avoid two-point ground. (Case is connected to signal ground inside converter).
- *2: Use cable with 9 to 12 mm OD.
- *3: Use two-core shielded cable with 9-12 mm OD. To avoid two-point ground, connect shield to ground at one end only.
- *4: Contact input to apply the voltage.