

GM35

In-situ IR Gas Analyzer,
Cross-Duct Version

SICK
Sensor Intelligence.



Described product

GM35

Cross-Duct Version

GM35-1, GM35-2, GM35-3, GM35-4, GM35-5, GM35-6, GM35-7, GM35-10

Manufacturer

SICK AG

Erwin-Sick-Str. 1

79183 Waldkirch

Germany

Production location

SICK AG

Gisela-Sick-Str. 1 · D-79276 Reute · Germany

Legal information

This work is protected by copyright. Any rights derived from the copyright shall be reserved for SICK AG. Reproduction of this document or parts of this document is only permissible within the limits of the legal determination of Copyright Law. Any modification, abridgment or translation of this document is prohibited without the express written permission of SICK AG.

The trademarks stated in this document are the property of their respective owner.

© SICK AG. All rights reserved.

Original document

This document is an original document of SICK AG.



Contents

1	About this document.....	7
1.1	Function of this document.....	7
1.2	Scope of application.....	7
1.3	Target groups.....	7
1.4	Further information.....	7
1.5	Symbols and document conventions.....	7
1.5.1	Warning symbols.....	7
1.5.2	Warning levels / Signal words.....	8
1.5.3	Information symbols.....	8
1.6	Data integrity.....	8
2	Safety information.....	9
2.1	Main operating information.....	9
2.2	Warning information on the device.....	10
2.3	Intended use.....	10
2.4	Responsibility of user.....	10
3	Product description.....	12
3.1	Product identification.....	12
3.2	Product characteristics.....	12
3.3	Device variants.....	12
3.4	Layout and function.....	13
3.4.1	Pressure and temperature sensor.....	14
3.5	Options.....	15
3.6	Check cycle.....	15
4	Transport and storage.....	16
4.1	Storage.....	16
5	Mounting.....	17
5.1	Safety.....	17
5.2	Tools required.....	17
5.3	Material required.....	17
5.4	Preparing the measuring point.....	17
5.5	Checking the scope of delivery.....	18
5.6	Installation sequence.....	18
5.6.1	Installation steps.....	18
5.6.2	Installing the flange with tube.....	18
5.6.3	Fitting the purge air attachments.....	22
5.6.4	Fitting the flange fixture on the purge air attachment.....	22
5.6.5	Fitting the control unit.....	24
5.6.5.1	Fitting the control unit at a greater distance (option).....	25
5.6.6	Installing the purge air unit.....	26

6	Electrical installation.....	27
6.1	Safety.....	27
6.2	Tools required.....	28
6.3	Overview of electrical connection steps.....	28
6.4	Connection overview.....	29
6.4.1	Lines overview.....	30
6.4.2	Laying lines.....	30
6.5	Electrical connection of the control unit.....	31
6.5.1	Correct connection of the CAN bus line.....	31
6.5.2	Connecting the control unit electrically.....	31
6.5.3	Connecting the grounding conductor on the control unit.....	33
6.6	Connecting the purge air unit electrically.....	34
6.7	Putting the purge air unit into operation.....	34
6.8	Connecting the connection unit (option).....	35
7	Commissioning.....	37
7.1	Safety.....	37
7.2	Requirements.....	37
7.3	Tools required.....	37
7.4	Material required.....	37
7.5	Commissioning steps overview.....	37
7.6	Removing the transport safety device.....	38
7.7	Carrying out coarse optical alignment.....	39
7.7.1	Optical alignment tool.....	39
7.7.2	Fitting the alignment tool on the sender/receiver unit.....	39
7.7.3	Fitting the alignment tool on the reflector unit.....	40
7.7.4	Carrying out coarse optical alignment of the reflector unit..	40
7.7.5	Carrying out coarse optical alignment of the sender/ receiver unit.....	41
7.7.6	Checking coarse optical alignment.....	41
7.8	Fitting the sender/receiver unit and reflector unit on the flange fixtures.....	42
7.9	Connecting the sender/receiver unit.....	43
7.10	Connecting the reflector unit.....	44
7.11	Fine optical alignment.....	44
7.12	Fitting the weather hood (option).....	46
7.13	Starting measuring operation.....	47
7.13.1	Operating states.....	47
8	Operation.....	48
8.1	Operating and display elements.....	48
8.2	Control unit menu tree.....	49
8.2.1	Menu tree Measuring.....	49
8.2.2	Menu tree, Diagnosis.....	49
8.2.3	Menu tree, Parameters.....	49
8.2.4	Menu tree, Calibration.....	51

8.2.5	Menu tree, Maintenance.....	51
9	Maintenance.....	52
9.1	Safety.....	52
9.2	Maintenance plan.....	53
9.2.1	Maintenance protocol.....	53
9.2.2	Expendable, wearing and spare parts.....	54
9.3	Preparatory work.....	54
9.4	Visual check.....	54
9.5	Removing the sender/receiver unit and reflector unit.....	55
9.6	Cleaning optical surfaces.....	55
9.7	Cleaning the control unit.....	56
9.8	Cleaning the purge air unit.....	57
9.9	Checking the function of the IR source.....	57
10	Troubleshooting.....	58
10.1	Safety.....	58
10.2	Monitoring and diagnostic system.....	58
10.3	Device not functioning.....	59
10.4	Clearing malfunctions on the control unit.....	59
10.4.1	Communication error between control unit and receiver.....	59
10.5	Malfunction messages.....	60
10.6	Warning messages.....	61
10.7	Repairing inadequate purge air supply.....	63
10.8	Corrosion on flange.....	63
11	Decommissioning.....	64
11.1	Safety.....	64
11.2	Removing the device.....	64
11.3	Preparing the device ready for shipping.....	65
11.4	Environmentally compatible disposal	66
12	Technical data.....	67
12.1	GM35 system.....	67
12.2	Sender/receiver unit.....	67
12.3	Reflector unit.....	68
12.4	Control unit, AWE, sheet steel enclosure.....	68
12.5	Control unit, AWE, cast metal enclosure.....	69
12.6	Connection unit.....	69
12.7	Purge air attachment.....	70
12.8	Dimension drawing, sender/receiver unit	71
12.9	Dimension drawing, reflector unit.....	72
12.10	Dimension drawing, control units.....	73
12.11	Dimension drawing, flange with tube, DN125.....	74
12.12	Dimension drawing, purge air attachment.....	74
12.13	Dimension drawing, connection unit.....	75

12.14 Dimension drawing, purge air unit, SLV4-2..... 75
12.15 Dimension drawing, weather hoods..... 76

1 About this document

1.1 Function of this document

These Operating Instructions describe:

- Device components
- Installation
- Operation
- Maintenance work required for reliable operation

1.2 Scope of application

These Operating Instructions are only applicable for the measuring device described in the product identification.

They are not applicable for other SICK measuring devices.

The standards referred to in these Operating Instructions are to be observed in the respective valid version.

1.3 Target groups

This Manual is intended for persons installing, operating and maintaining the device.

Operation

The device may only be operated by qualified persons who, based on their device-specific training and knowledge as well as knowledge of the relevant regulations, can assess the tasks given and recognize the hazards involved.

Installation and maintenance

Installation and maintenance may only be carried out by trained specialists familiar with the installation conditions.

Please observe the information at the beginning of the respective Sections.

1.4 Further information

- Purge air unit Operating Instructions
- Final inspection record





NOTE





- ▶ Observe all documents provided.

1.5 Symbols and document conventions

1.5.1 Warning symbols

Table 1: Warning symbols

Symbol	Significance
	Hazard (general)
	Hazard by electrical voltage

Symbol	Significance
	Hazard by toxic substances
	Hazard by unhealthy substances
	Hazard through pressure/temperature
	Hazard for environment and organisms

1.5.2 Warning levels / Signal words

DANGER

Risk or hazardous situation which will result in severe personal injury or death.

WARNING

Risk or hazardous situation which could result in severe personal injury or death.

CAUTION

Hazard or unsafe practice which could result in less severe or minor injuries.

Notice



Hazard which could result in property damage.

Note

Hints

1.5.3 Information symbols

Table 2: Information symbols

Symbol	Significance
	Important technical information for this product
	Important information on electric or electronic functions

1.6 Data integrity

SICK AG uses standardized data interfaces such as, for example, standard IP technology, in its products. The focus here is on product availability and features.

SICK AG always assumes that the customer is responsible for the integrity and confidentiality of data and rights involved in connection with using the products.

In all cases, the customer is responsible for the implementation of safety measures suitable for the respective situation, e.g., network separation, firewalls, virus protection and patch management.

2 Safety information

2.1 Main operating information

**NOTICE****Risk for system safety through work on the device not described in these Operating Instructions**

Work on the device not described in these Operating Instructions or associated documents can lead to unsafe operation of the measuring system and therefore endanger plant safety.

- ▶ Only carry out the work described in these Operating Instructions or the corresponding documents on the device.

**WARNING****Danger of ineffectiveness of the protective device**

In case of nonobservance, persons or parts of the body to be protected are not detected.

- ▶ Pay special attention to all safety information in these Operating Instructions.

**CAUTION****Hazard for persons and plant through unsafe operation of the measuring device**

If the device is or could be in an unsafe state:

- ▶ Put the device out of operation.
- ▶ Disconnect the device from the main supply voltage and signal voltage.
- ▶ Secure the device against unallowed or unintentional start-up.

**CAUTION****Risk of injury through incorrect lifting and carrying the device**

Injuries can occur due to the weight and projecting enclosure parts when the equipment tips over or drops.

- ▶ Consider the device weight before lifting.
- ▶ Observe the regulations for protective clothing (e.g., safety shoes, non-slip gloves).
- ▶ Grip underneath the equipment when possible to carry it safely.
- ▶ Do not use projecting parts on the device to carry the device.
- ▶ Call in further personnel for assistance as required.
- ▶ Use a hoist or transport equipment as an option.
- ▶ Pay attention to the transport safety device.
- ▶ Clear obstacles that could cause falls and collisions out of the way.

2.2 Warning information on the device

Sender/receiver unit

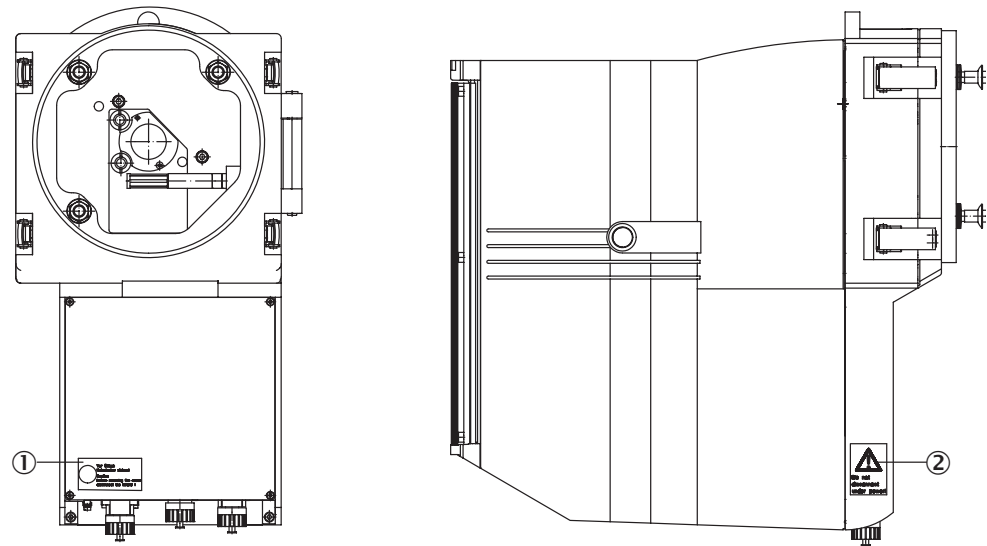


Figure 1: Sender/receiver unit from the front and right side

- ① Warning sign: Disconnect the power plug before opening the device.
- ② Do not disconnect under voltage.

2.3 Intended use

The device serves exclusively for emission and process monitoring of gases in industrial plants.

The device measures continuously directly in the gas duct (in-situ).

2.4 Responsibility of user

Intended users

see "Target groups", page 7.

Correct project planning

- Basis of this Manual is the delivery of the device according to the preceding project planning (e.g., based on the SICK application questionnaire) and the relevant delivery state of the device (see delivered System Documentation).
 - ▶ If you are not sure whether the device corresponds to the state defined during project planning or to the delivered system documentation: Please contact SICK Customer Service.

Special local conditions

In addition to the information in these Operating Instructions, follow all local laws, technical rules and company-internal operating directives applicable wherever the device is installed.

Read the Operating Instructions

- ▶ Read and observe these Operating Instructions.
- ▶ Observe all safety instructions.
- ▶ If anything is not clear: Please contact SICK Customer Service.

Document retention

- ▶ Must be kept for reference.
- ▶ Must be passed on to new owners.

3 Product description

3.1 Product identification

Product name	GM35
Device version	Cross-Duct version
Manufacturer	SICK AG Erwin-Sick-Str. 1 · D-79183 Waldkirch · Germany
Type plates	<ul style="list-style-type: none"> • Sender/receiver unit: On right side • On purge air attachment: On tube • On reflector unit: On right side • Control unit: On right side

3.2 Product characteristics

- The device serves for continuous measurement of the gas concentrations in industrial plants..
- The device is an in-situ measuring device which means measuring is done directly in the gas carrying duct.
- Measuring components:CO₂, H₂O, CO, N₂O
- Measuring principle:
 - Gas filter correlation
 - Interference filter correlation

3.3 Device variants

The following device variants are available depending on the measuring task and application:

Variant	Measured components
GM35-1	CO
GM35-2	CO, H ₂ O
GM35-3	CO, H ₂ O, CO ₂
GM35-4	CO, CO ₂
GM35-5	H ₂ O, CO ₂
GM35-6	H ₂ O
GM35-7	CO ₂
GM35-10	N ₂ O, H ₂ O, CO ₂

3.4 Layout and function

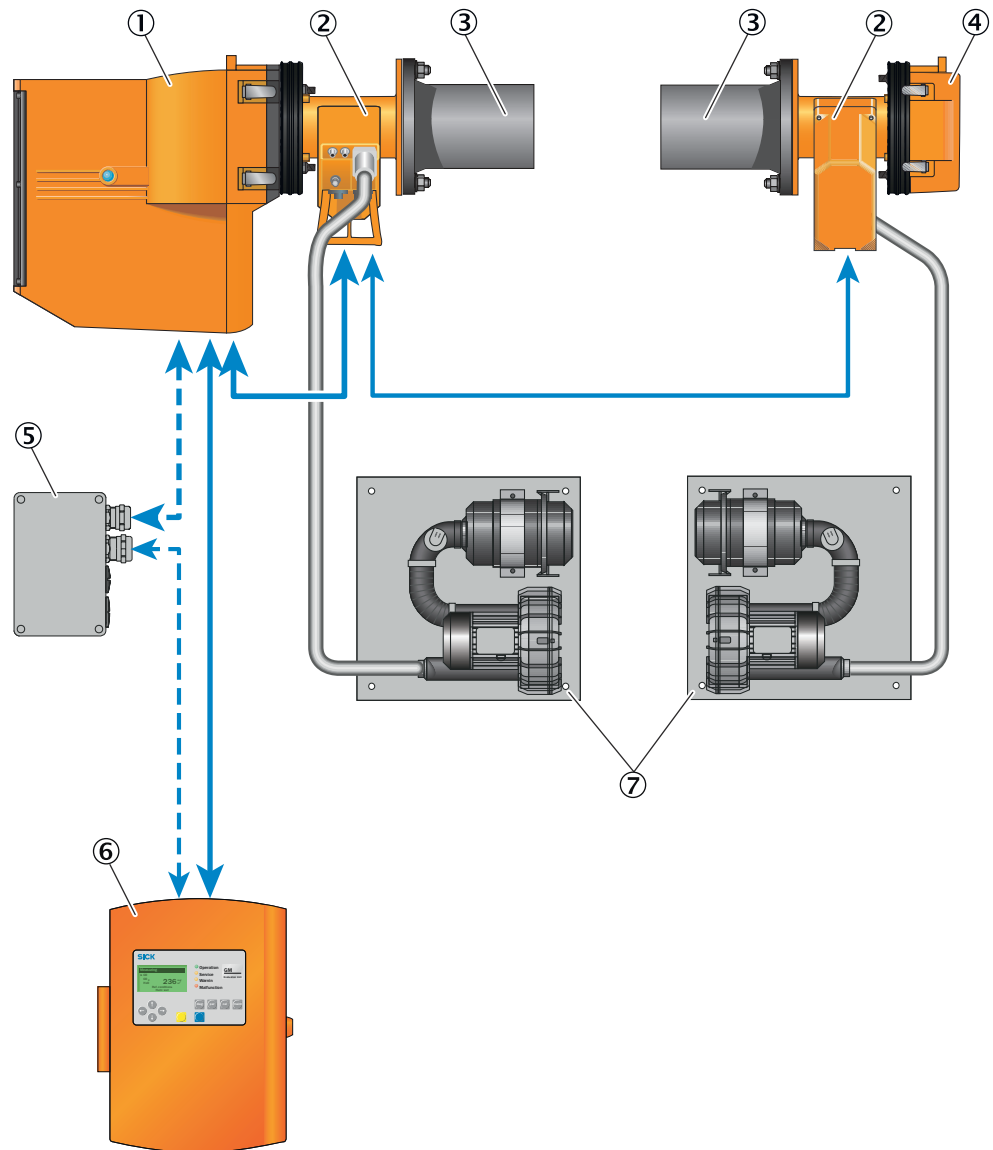




Figure 2: Layout, GM35, cross-duct version

-  Connection lines
-  Purge air hose
- ① Sender/receiver unit
- ② Purge air attachment
- ③ Flange with tube
- ④ Reflector unit
- ⑤ Connection unit (option)
- ⑥ Control unit
- ⑦ Purge air unit

The measuring device comprises the following components:

Sender/receiver unit

The sender/receiver unit contains the optical-electronic assemblies and determines the measured values of the concentration of the measuring component(s) of the measuring device.

Reflector unit

The reflector unit contains the triple reflector assembly and reflects the measuring beam back to the sender/receiver unit.

Purge air attachments

The purge air attachments serve to attach the sender/receiver unit and reflector unit to the flanges with tube. They contain the purge air nozzles for connecting the purge air hoses of the purge air units and the connections for external sensors e.g., temperature or pressure sensors as well as the connections for purge air monitoring.

Control unit

The control unit serves as user interface, and prepares and outputs the measured values and performs control and monitoring functions.

These functions include the following:

- Output of measured values, computed data and operating states
- Communication with peripheral equipment
- Output of error messages and other status signals
- Control of automatic test functions and access during service work (diagnosis)

Flanges with tube

The flanges with tube are attached directly to the gas duct of the measuring point and serves to fit the purge air attachments of the sender/receiver unit and reflector unit. ANSI or DIN flanges can be used alternatively to the flanges supplied.

Purge air unit

The purge air unit supplies filtered ambient air to the purge air attachments and protects the optical surfaces of the sender/receiver unit and reflector unit from contamination and high gas temperatures.



NOTE

As standard, SICK recommends a separate purge air unit for the sender/receiver unit and reflector unit to ensure an optimal purge air supply.

If the supply of purge air is insufficient, hot and corrosive gases can destroy the measuring device within a few minutes.

Further information on the purge air unit, see Operating Instructions of the purge air unit.

3.4.1 Pressure and temperature sensor



NOTE

It is necessary to install and use a pressure and temperature sensor (available as accessory) to calculate the concentrations at standard conditions.

3.5 Options

Connection unit

If the distance between the sender/receiver unit and control unit is > 4 m, the connection can be established via the connection unit and a CAN bus line provided by the customer.

Total length of all CAN bus lines: max. 300 m.

Weather hoods

For the components sender/receiver unit, reflector unit and purge air unit when installing the measuring device outdoors.

Air heater for purge air supply

To avoid condensation in the purge air. An air heater is required when the difference between gas temperature and dew point temperature is too small.

The following formula serves as a guideline:

- Gas temperature [°C] – dew point temperature [°C] < abs. humidity [Vol.-%].
- Values are compared without considering the units of measure.

3.6 Check cycle

The check cycle serves to check the zero point and a reference point without feeding test gases. Here, a measuring sequence is run through to determine the zero and check point (usually 70 % of the measuring range end value).

“Function check” is signaled per digital output during output of the zero and reference point.

The output for each takes 90 s for the zero point, followed by the reference point.

- Unit and scaling for the current zero point according to the setting.
- Reference point is displayed as percentage scaled to 70 % of the measuring range.

4 Transport and storage

4.1 Storage

- ▶ Clean all components of the measuring device (not the optical surfaces) with slightly moistened cleaning cloths. Use a mild cleaning agent here.
- ▶ Protect the openings of the sender/receiver unit from atmospheric influences, preferably with the original transport safety devices.
- ▶ Pack all components for storage or transport. Preferably use the original packing.
- ▶ Store all components of the measuring device in a dry, clean area.

5 Mounting

5.1 Safety

**WARNING****Risk of injury through improper assembly work**

All assembly work must be carried out only by authorized persons who, based on their training and knowledge as well as knowledge of the relevant regulations, can assess the tasks given and recognize the hazards involved.

**CAUTION****Accident risk through inadequate fastening of the device**

- ▶ Consider the device weight specifications when planning the fitting supports.
- ▶ Check the load capacity/condition of the duct on which the device is to be installed.

**NOTICE****Damage to device and plant through unsecured parts during installation**

During installation, parts of the device or flange can fall into the duct and cause damage.

- ▶ Secure all parts with wire.

**NOTICE****Damage to the measuring device due to premature installation on the stack**

Unsuitable ambient conditions in the measuring duct can damage the measuring device and make commissioning impossible.

- ▶ First install the measuring device on the stack after commissioning.

5.2 Tools required

- Fork or ring spanner set
- Insulated screwdriver set
- Allen key set, metric
- Flange alignment tool (not included in standard scope of delivery)

5.3 Material required

- Optics cleaning wipes without detergent
- Personal protective equipment

5.4 Preparing the measuring point

Responsibility of the operator

- Determining the measuring point (e.g. determining a representative sampling point)
- Preparing the measuring point (e.g. load capacity of welded-on flange)



NOTICE

Basis for determining the measuring point:

- Preceding project planning
- Final inspection specifications for device
- Regulations of local authorities

5.5 Checking the scope of delivery

- ▶ Check the scope of delivery according to the order confirmation/delivery note.
- ▶ Ensure the supply voltages indicated on the type plates correspond to the system conditions.
- ▶ Check all components for externally perfect delivery condition.

5.6 Installation sequence

5.6.1 Installation steps

Installation comprises two main steps:

- 1 Installing the required **device components** at the measuring point **before** commissioning.
- 2 Installing the **measuring device** at the measuring point (carried out by SICK Service **during** commissioning).

Table 3: Overview of installation steps before commissioning

Step	Procedure	Reference
1	Install the flanges with tube.	see "Installing the flange with tube", page 18.
2	Install the purge air attachments.	see "Fitting the purge air attachments", page 22.
3	Install the flange fixtures on the purge air attachments.	see "Fitting the flange fixture on the purge air attachment", page 22.
4	Fit control unit.	see "Fitting the control unit", page 24.
5	Install one or two purge air units (according to project planning).	see Purge air unit Operating Instructions



NOTICE

Sender/receiver unit and reflector unit may only be installed in the specified sequence during commissioning. Otherwise the device may be damaged.

5.6.2 Installing the flange with tube

Prerequisite

- Installation location was determined during the project planning.
- Stability of the duct wall has been checked.

**DANGER****Health risk through hot or toxic gases/dusts in the measuring channel**

The measuring duct can contain hot or toxic gases or dust deposits which can escape when opening the duct-side flange. Even if the measuring duct is out of operation during the installation, escaping gases can lead to severe damage to health.

- ▶ Always put the measuring duct out of operation for the duration of the installation.
- ▶ If required, purge the measuring duct with ambient air before starting installation work.
- ▶ Always wear suitable or company-specified protective clothing during installation work.

**NOTICE****Device damage through incorrect/missing insulation of the duct when the measuring channel is hot**

- ▶ When the measuring channel is hot, plan the duct and flange insulation so that the device is protected against high temperatures.

**NOTE**

- Flange with tube dimensions: [see "Dimension drawing, flange with tube, DN125", page 74](#)

Arrangement of the flanges with tube on the gas duct

- ▶ Determine flange - flange distance and measuring distance.

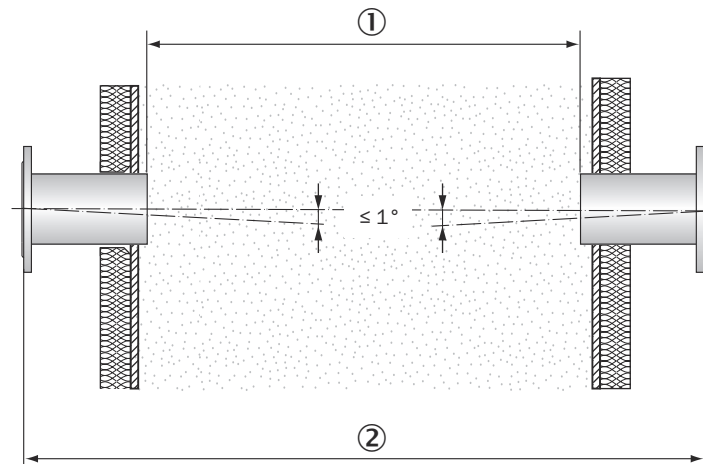


Figure 3: Flanges with tube – determining the measuring distance

- ① Measuring distance
- ② Flange - flange distance

**NOTE**

The installation steps for the flanges with tube are identical for the sender/receiver unit and reflector unit.

Installing the flange with tube

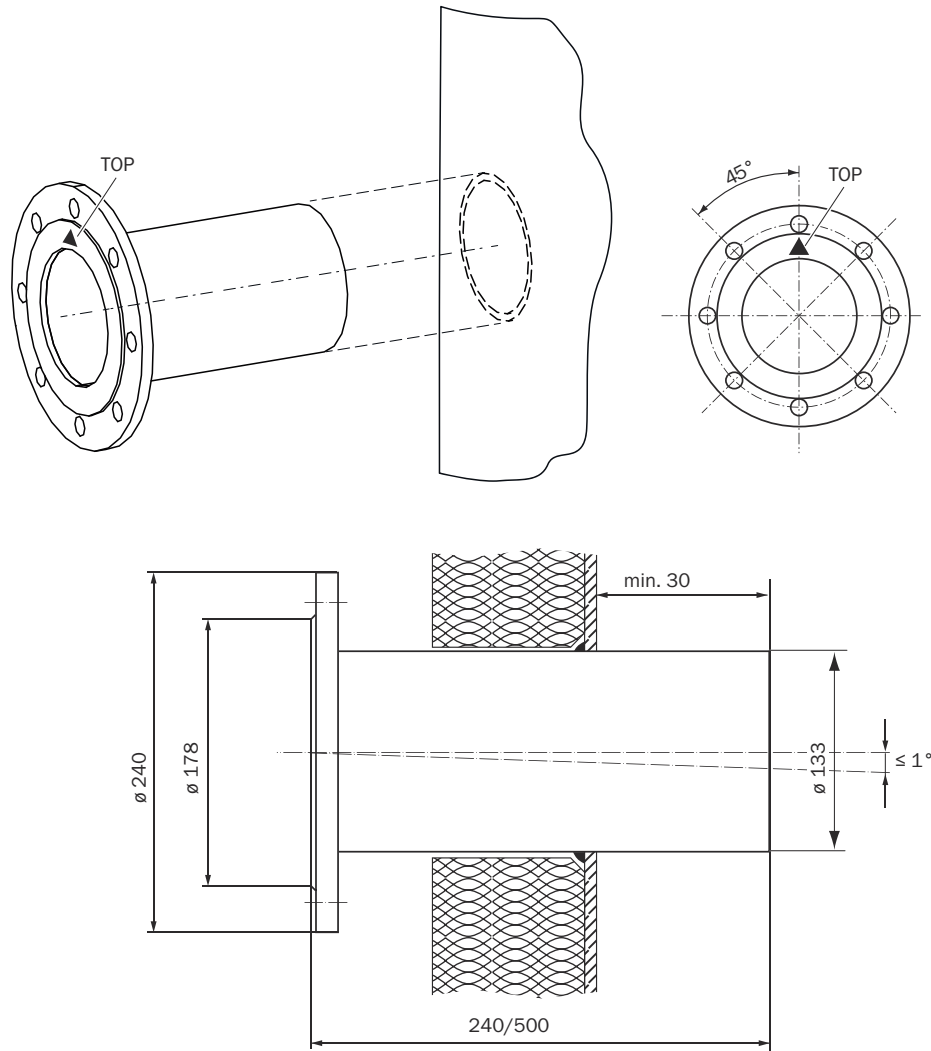


Figure 4: Flange with tube incl. orientation "TOP"

Steps

1. Cut openings on the gas duct for the flange with tube.
2. Position the flange with tube. Make sure:
 - Marking "TOP" must point vertically upwards independent of the gas duct angle.
 - The tube must project at least 30 mm into the gas duct.
 - Tube axis deviations between sender/receiver unit and reflector unit: Max. 1°
3. Attach the flange with tube.



NOTE

Other devices or fittings must not cut or interrupt the measuring device beam path.

Optical alignment of the flanges with tube

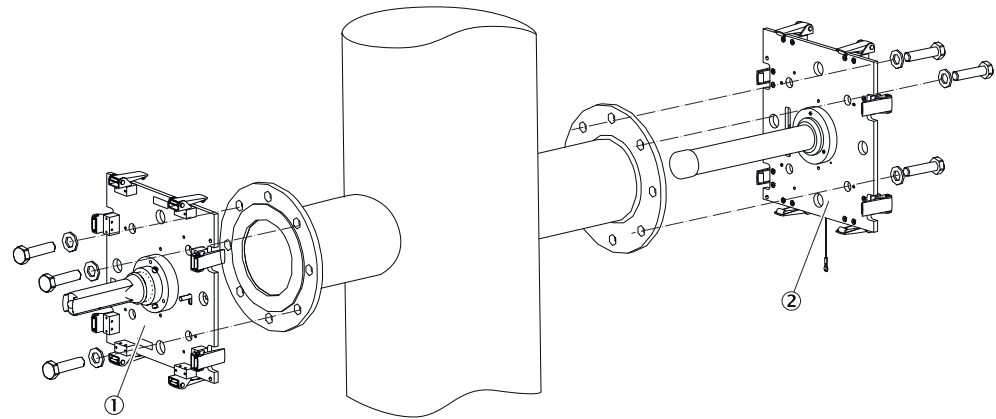


Figure 5: Fitting the alignment tool

- ① Alignment tool, sender
- ② Alignment tool, reflector

Fit the alignment tools

Steps

1. Remove the protective caps of the alignment tools.
2. Position the sender unit alignment tool on the flange with tube (sender/receiver unit side) and fasten with the delivered screw set.
3. Position the receiver unit alignment tool on the flange with tube (reflector unit side) and fasten with the delivered screw set.
4. Switch on the light source of the sender unit alignment tool.

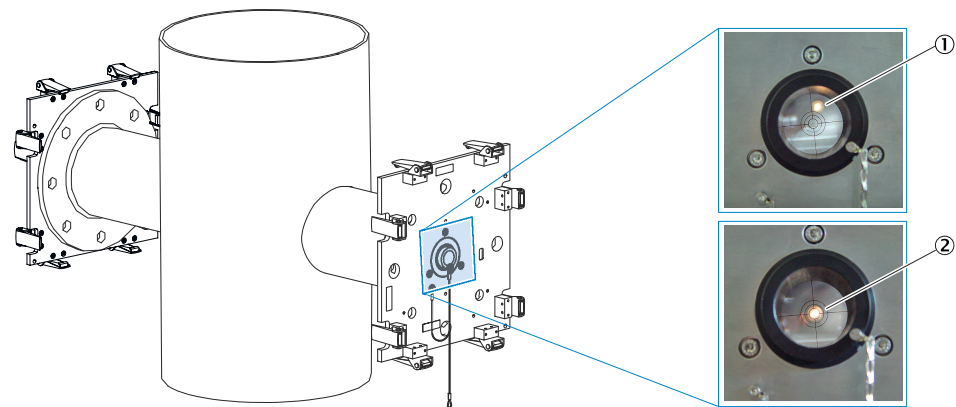


Figure 6: Checking the alignment

- ① Light spot not correctly aligned
- ② Light spot correctly aligned

Check the alignment

Steps

1. Shift the alignment tube to focus the light point of the light source in the window of the reflector unit alignment tool.
2. Align the flange with tube on the reflector side so that the light spot appears centred in the target.

Check the alignment on the other flange with tube

Steps

1. Fit the adjustment devices to the other flange with tube.
2. Check the alignment as described above.
3. Remove the alignment tools after successfully checking the alignment.

Permanently fasten the flanges with tube

Steps

1. Permanently weld or fasten the flanges with tube.
2. If necessary, fit duct insulation around the flanges with tube to protect the measuring device from heat.

5.6.3 Fitting the purge air attachments



NOTE

The installation steps for the purge air attachments on the flanges with tube are identical for the sender/receiver unit and reflector unit.

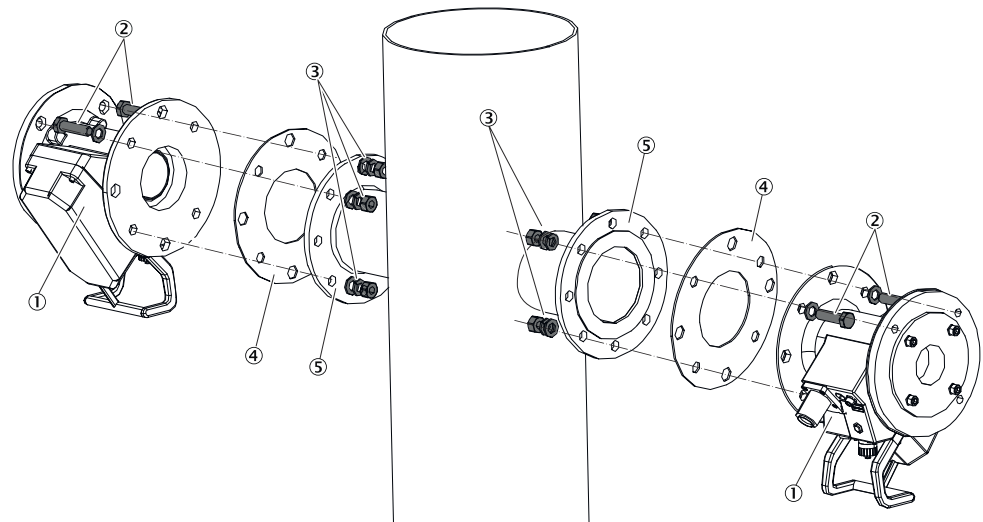


Figure 7: Fitting the purge air attachments on the flanges with tube

- ① Purge air attachment
- ② Screw bolts M16 x 60 with washer
- ③ Nut M16 with lock washer
- ④ Sealing ring
- ⑤ Flange with tube

Steps

1. Attach purge air attachment to flange with sealing ring.
2. Tighten the nuts.

5.6.4 Fitting the flange fixture on the purge air attachment



NOTE

The installation steps for the purge air attachments on the device flanges are identical for the sender/receiver unit and reflector unit.

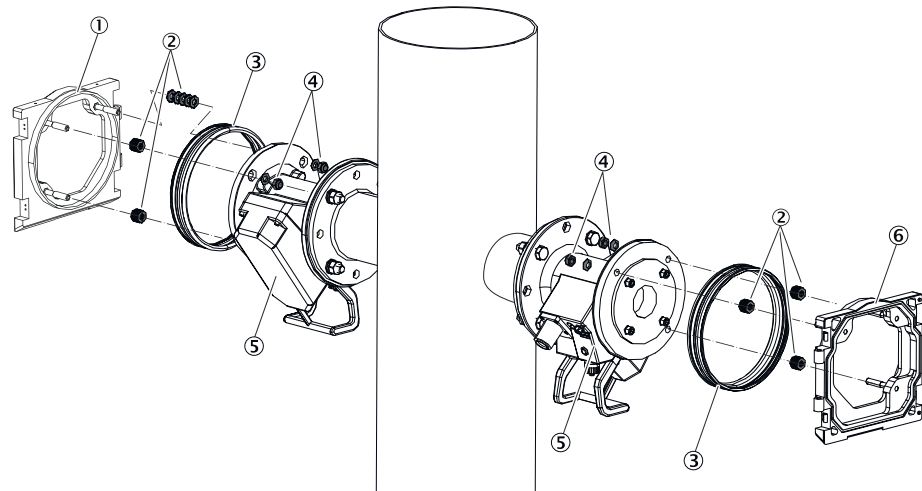


Figure 8: Fitting the flange fixtures

- ① Flange fixture, sender/receiver unit
- ② Cup springs set (10 per fixture, positioned back-to-back)
- ③ Sealing ring
- ④ Lock nut with centering disc
- ⑤ Purge air attachment
- ⑥ Flange fixture, reflector unit

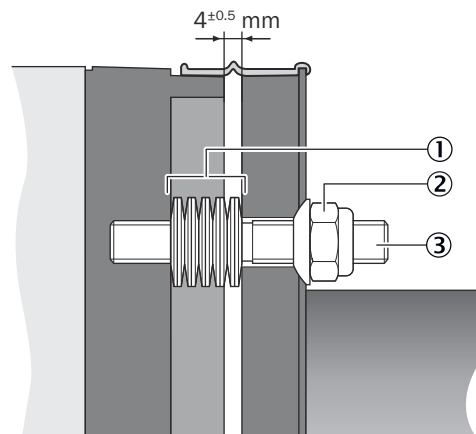


Figure 9: Detail view, alignment of cup springs

- ① Alignment of cup springs set
- ② Lock nut with centering disc
- ③ Threaded bolt, device flange



NOTICE

Cup springs must be used to enable correct alignment of the sender/receiver unit to the reflector unit.
Do not use washers or other springs.

Steps

1. Place 10 cup springs, individually directed against each other, on each of the three threaded bolts on the device flange.
2. Pull the sealing ring over the flange of the purge air attachment and hang it loosely over the purge air unit.
3. Push the device flange onto the purge air attachment.

4. Position the centering discs.



NOTICE

Observe the direction of the centering disc: The convex side must fit into the groove on the purge air attachment.

5. Tighten the self-locking nuts with a wrench (19 mm) so that the cup springs are slightly compressed and an even gap of approx. 4 mm remains.

5.6.5 Fitting the control unit

Prerequisite

- Installation location already determined during project planning.
- Minimum line length of 4 m for the connection line to the measuring device.
- Maximum line length of 300 m for CAN bus connection between control unit and sender/receiver unit.
- The maximum line length of 300 m for all CAN bus and RS-485 connections has been considered.
- Good accessibility to the device, flat, vertical mounting surface.
- Weather hood, observe IP protection class.

Prepare the installation location

- Based on the control unit dimension drawing, ensure enough space is available at the planned installation location for assembly as well as opening the enclosure door.

Control unit AWE (sheet steel enclosure version)

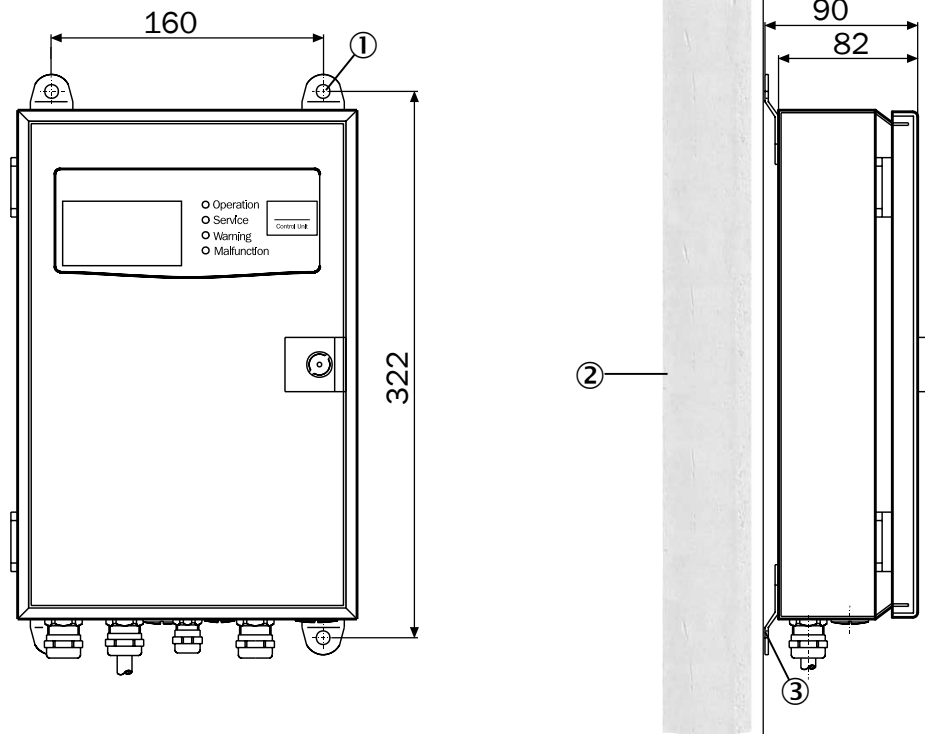


Figure 10: Fitting the control unit AWE, sheet steel enclosure (dimensions in mm)

- ① 4 × mounting holes, \varnothing 7.2 mm
- ② Mounting surface

③ Fastening brackets

Steps

1. Drill the holes according to the installation drawing ($\varnothing 7.2$ mm for M8).
2. Fasten the control unit to the four fastening brackets.

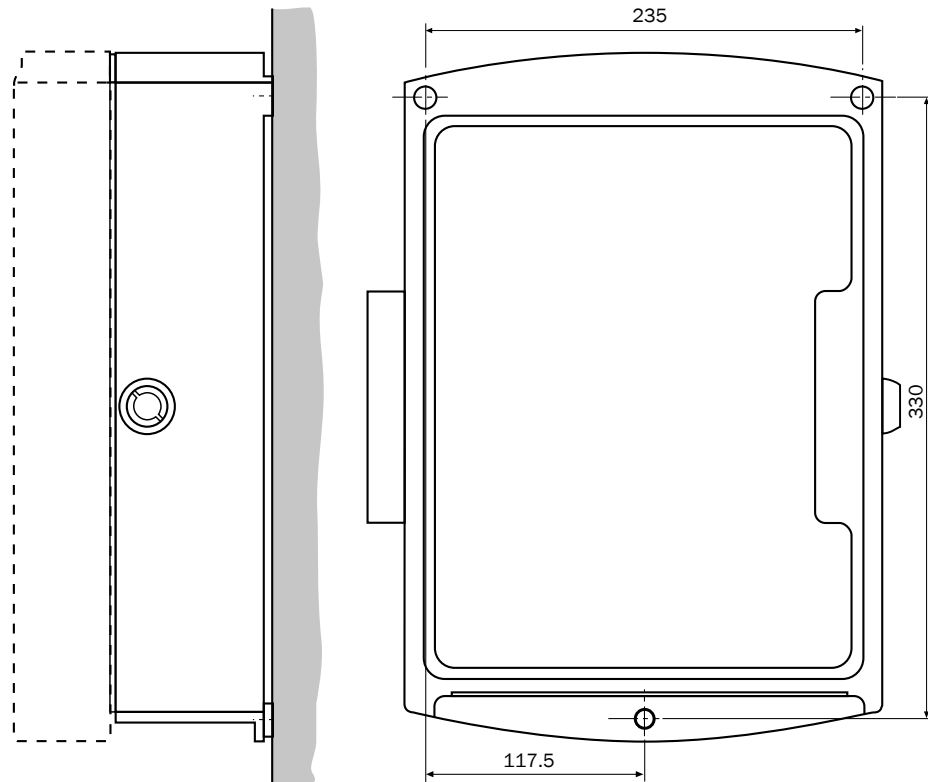
Control unit AWE (cast metal enclosure version)

Figure 11: Fitting the control unit AWE, cast metal enclosure (dimensions in mm)

Steps

1. Drill the holes according to the installation drawing ($\varnothing 7.2$ mm for M8).
2. Fasten the control unit to the three fastening brackets.

5.6.5.1 Fitting the control unit at a greater distance (option)

To be used when the distance between the control unit and the sender/receiver unit is greater than 19 m

Prerequisite

- Connection unit – sender/receiver unit: 4 m CAN bus line (in scope of delivery)
- Connection unit – control unit: 6-pole line (provided by customer) suitable for prefabricated extension line (option) or CAN bus

**NOTE**

The total length of the CAN bus connections may be up to 300 m.

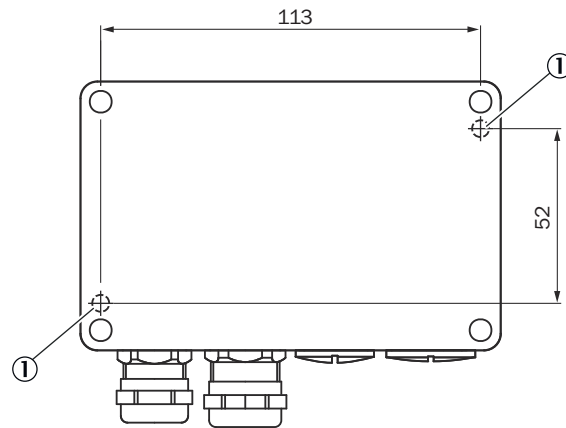


Figure 12: Fitting the connection unit (dimensions in mm)

- ① Mounting hole (Ø 5 mm)

Steps

Install the connection unit

1. Drill the holes according to the installation drawing (Ø 5 mm for M4).
2. Remove the enclosure cover. To do this, unscrew the 4 screws.
3. Screw the enclosure tightly to the two mounting holes.

5.6.6 Installing the purge air unit



NOTE

For information on the purge air unit, see the Operating Instructions of the purge air unit (SLV4).

6 Electrical installation

6.1 Safety



DANGER

Danger to life through electric shock

There is a risk of electric shock when working on the device with the voltage supply switched on.

- ▶ Before starting work on the device, ensure the voltage supply can be switched off in accordance with the valid Standard using a power isolating switch/circuit breaker.
- ▶ Make sure the disconnecter switch is easily accessible.
- ▶ An additional disconnecting device is mandatory when the power disconnecter switch cannot be accessed or only with difficulty after installation of the device connection.
- ▶ Switch off the voltage supply before starting any work on the device.
- ▶ After completion of the work or for test purposes, calibration of the power supply may only be activated again by authorized personnel complying with the safety regulations.



WARNING

Endangerment of electrical safety through power cable with incorrect rating

Electrical accidents can occur when the specifications for installation of a power line have not been adequately observed.

- ▶ Always observe the exact specifications in the Operating Instructions (see "[Technical data](#)", page 67) for installation of a power line.



DANGER

Electrical accident due to improper performance of the electrical work

The electrical work described in these Operating Instructions requires specialist knowledge. Electrical work can lead to serious electrical accidents if not carried out properly.

- ▶ Only let the work described in the following be carried out by electricians familiar with potential hazards.



NOTICE

Risk of device damage

Electronic components are accessible when the enclosure is open. The circuit board can be severely damaged when a contact is not grounded when the power supply is switched on.

- ▶ First switch the power supply on when the sender/receiver unit and the control unit are closed.



NOTICE

Pay attention to connection values for power supply

The control unit AWE is configured to 230 V AC on delivery.

- ▶ For 115 V AC, plug the respective bridges as shown on the connection plate of the control unit AWE.



NOTICE

Device damage through short circuit on the device

When power supply is available, signal short circuits can occur and damage the internal electronics. This is also valid for plug connections.

- ▶ Clean work is required. Do not leave any metal cuttings in the device.

6.2 Tools required

- Phillips screwdriver set
- Multimeter
- Control cabinet key

6.3 Overview of electrical connection steps

Connecting is done in two main steps:

- 1 **Before** commissioning: Make the connections for the **device components** at the measuring point.
- 2 **During** commissioning: Create the remaining necessary connections **on the measuring device** at the measuring point (will be carried out by SICK Service **during** commissioning).

Table 4: Overview of electrical connection steps

Step	Procedure	Reference
1	Lay lines.	see "Connection overview", page 29
2	Connect control unit.	see "Electrical connection of the control unit", page 31
3	Connect one or two purge air units (according to project planning).	see "Connecting the purge air unit electrically", page 34
4	Put the purge air unit into operation.	see "Putting the purge air unit into operation", page 34
5	Optional: Connect the connection unit.	see "Connecting the connection unit (option)", page 35

6.4 Connection overview

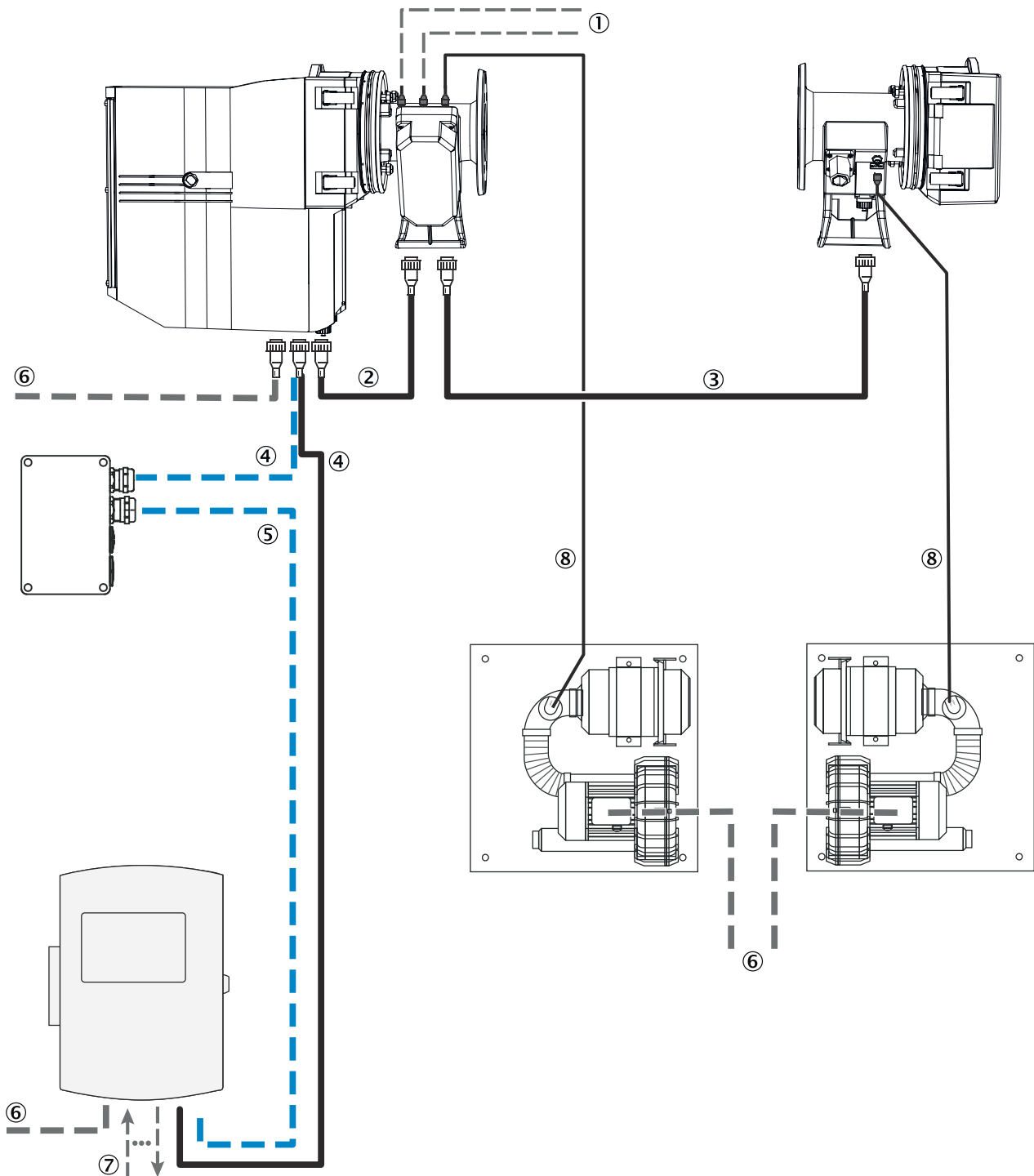


Figure 13: Electrical wiring of device components

— Standard scope of delivery

- - - Option

- - - Provided by customer

- ① Line, temperature and pressure sensor on purge air attachment sender/receiver unit, provided by customer
- ② Connecting line, sender/receiver unit and purge air attachment
- ③ Connecting line, sender/receiver unit and reflector unit
- ④ Connection line, sender/receiver unit and control unit or connection unit (option)

- ⑤ Line (extension), connection unit (option) and control unit
- ⑥ Power supply, sender/receiver unit, purge air unit, control unit (provided by customer)
- ⑦ Signal line, control unit (provided by customer)
- ⑧ Connection line, purge air attachment and purge air unit low-pressure monitor

6.4.1 Lines overview

Table 5: Lines overview

No.	Line	Length [m]	Scope of delivery	Specification
①	Purge air attachment, sender/receiver unit – external temperature and pressure sensor		Not included	0.5 mm ²
②	Sender/receiver unit – purge air attachment (CAN bus)	0.8	Included	Prefabricated with plug-in connector
③	Sender/receiver unit – reflector unit (CAN bus)	5 10 12 15	Included Option Option Option	Prefabricated with plug-in connector
④	Sender/receiver unit – control unit (CAN bus) or Sender/receiver unit – connection unit (option)	4	Included	Prefabricated with plug-in connector, open line end
⑤	Connection unit (option) – control unit (CAN bus)	Max. 300	Option	Open line ends, 5 × 0.5 mm ²
⑥	Power supply <ul style="list-style-type: none"> • Sender/receiver unit • Purge air unit • Control unit 		Not included	4 × 1.5 mm ²
⑦	Control unit: Signal lines to system periphery		Not included	Each 0.5 mm ²
⑧	Purge air attachment, sender/receiver unit – purge air unit low-pressure monitor (open line end)	5	Included	Prefabricated with plug-in connector, open line end

6.4.2 Laying lines

- Do not lay power supply and signal lines immediately next to each other.
- Close off open ends of prefabricated lines with the protective caps against weather effects until device installation.
- Install separate power supply cables and circuit breakers for:
 - Purge air units
 - Control unit
 - Connection unit (option)
- Carry out installation of all lines according to valid local regulations.
- Wire cross-section specifications are recommendations. The cross-sections of lines for analog and digital signals and for the power supply must not be reduced. The CAN bus lines from the scope of delivery must be used.
- Signal lines from the control unit to the connection terminals of the customer's status/message devices can be added later as required.

6.5 Electrical connection of the control unit

Standard cabling

For standard cabling, the device must be installed near the measuring point so that the cabling can be carried out with the supplied 4 m CAN bus line.

Connection lines to the CAN bus extensions are optionally available.

6.5.1 Correct connection of the CAN bus line

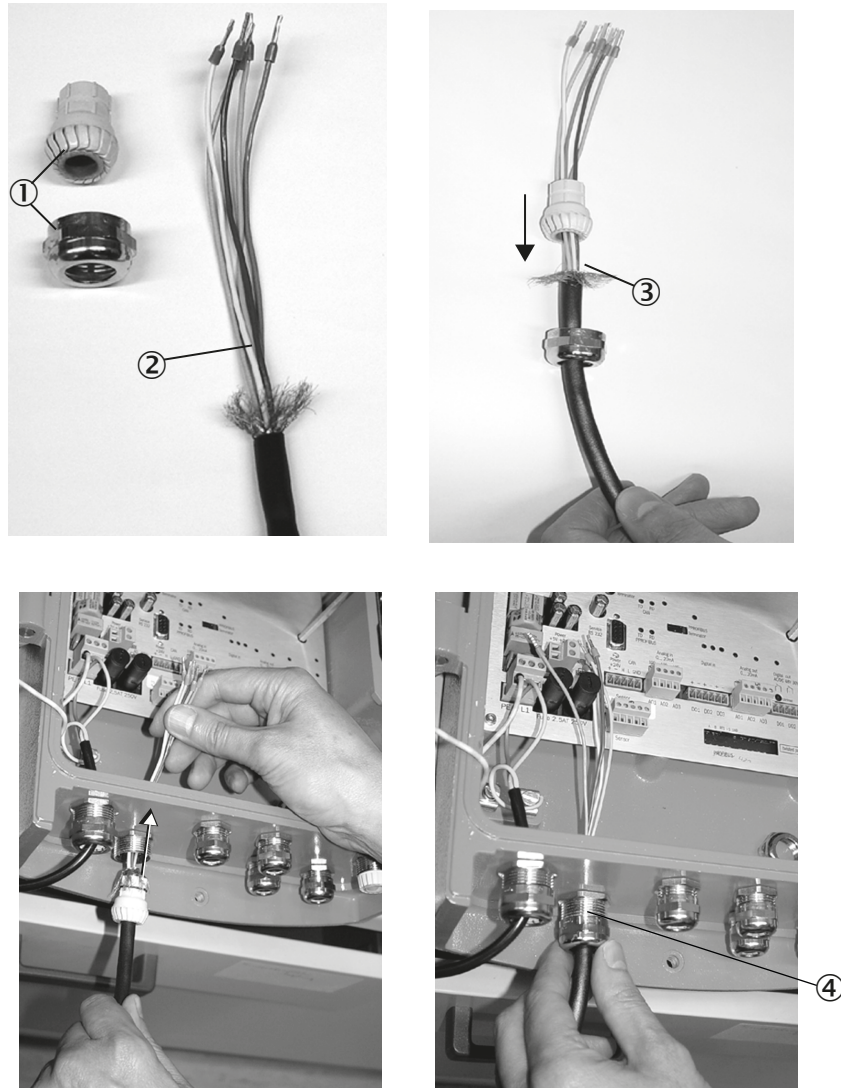


Figure 14: CAN bus line fitted correctly (shown on the AWE)

- ① M screw fitting on the control unit
- ② CAN bus line
- ③ CAN bus line shielding
- ④ M screw fitting fitted in the control unit

6.5.2 Connecting the control unit electrically



NOTE

The analog input assignment shown in the following Chapters is the factory setting. This setting may not be changed.

Control unit AWE

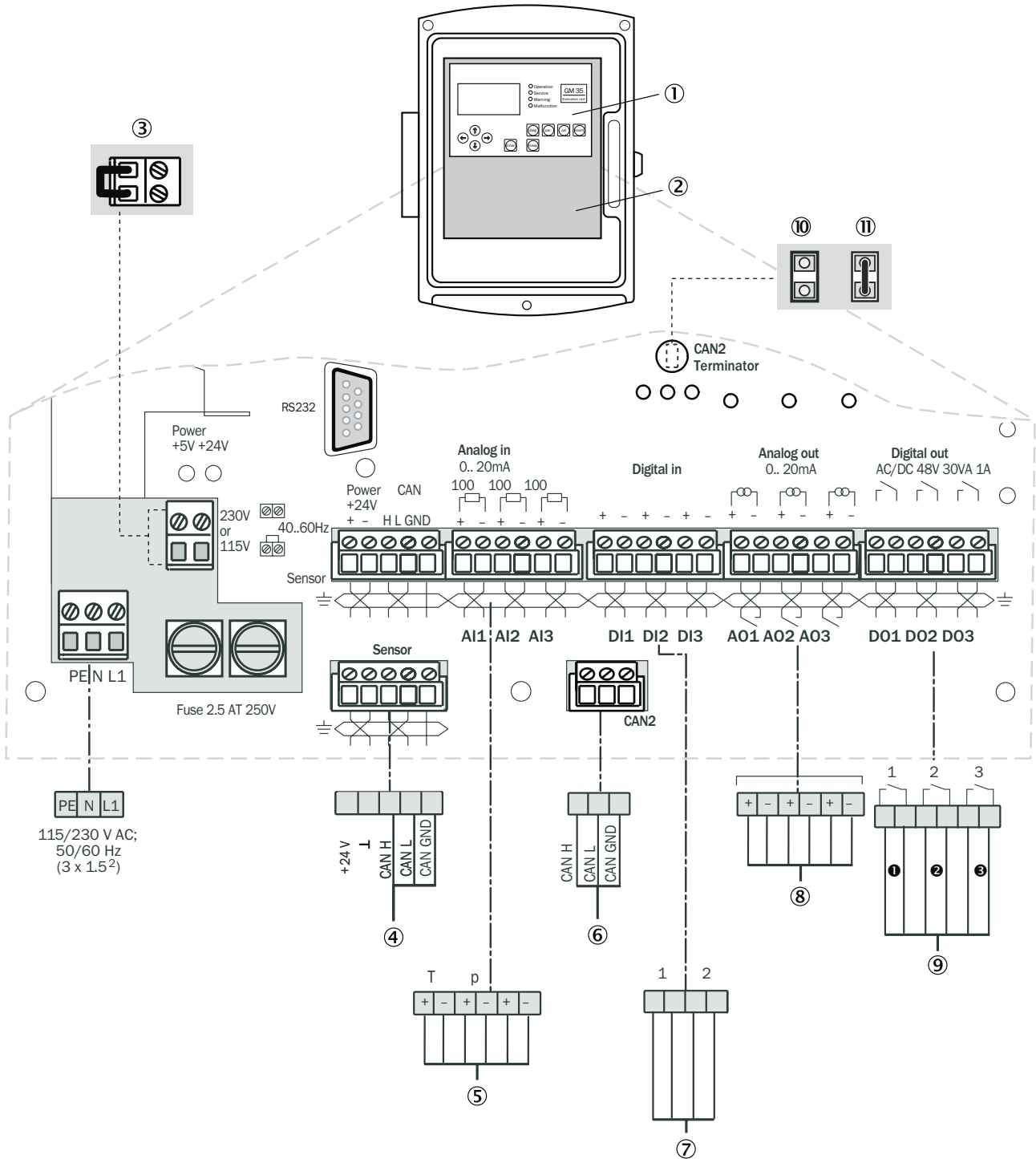


Figure 15: Electrical wiring of control unit AWE

- ① Circuit board, operating elements
- ② Connections circuit board
- ③ Plug this bridge for 115 V or 120 V power supply
- ④ CAN H + L, twisted pair, shielded. Connection for sender/receiver unit or connection unit
- ⑤ Analog inputs: 0 ... 20 mA (6 × 0.5²)
- ⑥ CAN H + L, twisted pair, shielded. Connection for SCU
- ⑦ Digital inputs: Potential-free contacts (6 × 0.75²)

- ⑧ Analog outputs: 0 ... 20 mA (6 × 0.75²)
- ⑨ Digital outputs: 48 V AC 60 VA, 1 A (6 × 0.75²)
 - ❶ Failure (NC contact)
 - ❷ Maintenance request (NO contact)
 - ❸ Function control (NO contact)
- ⑩ For SCU connection: Jumper not connected (not activated)
- ⑪ For SCU connection: Jumper connected (activated)

CAN bus line: Color marking of wiring

Wiring	Color code
CAN-H	Yellow
CAN-L	Green
CAN GND	Brown
0 ... 20 mA	White
GND	Black

Steps

1. Ensure the power supply has been installed according to the specification (observe country-specific requirements) and is switched off.
2. Unlock the door lock with the control cabinet key. Open the enclosure door of the control unit.
3. Lead the connection line for power supply through the line duct and wire connections L1, N and PE (protective ground).
4. Lead the connection line from the measuring device through the line duct and wire on.
5. Lead the signal lines for the analog and digital inputs and outputs through the line duct at the bottom of the enclosure and wire on.

6.5.3 Connecting the grounding conductor on the control unit

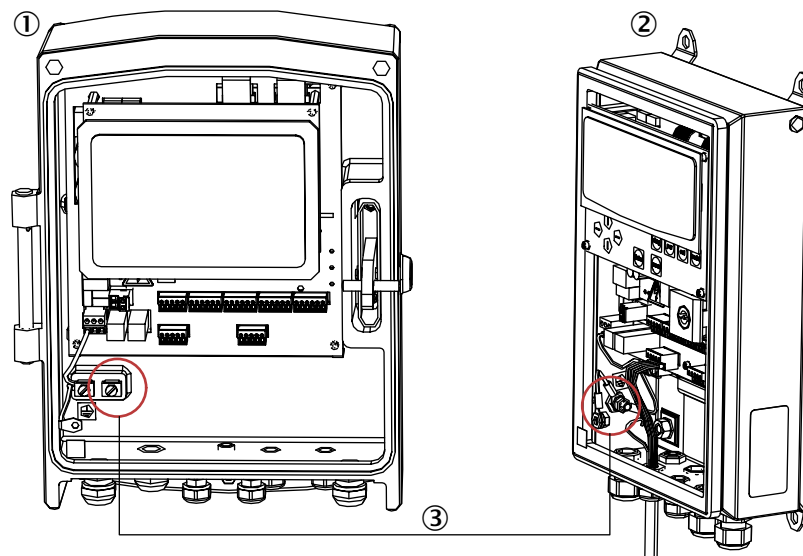


Figure 16: Connection for grounding conductors

- ① Control unit AWE (cast metal enclosure version)
- ② Control unit AWE (sheet steel enclosure version)
- ③ Connection for grounding conductor

Steps

1. Lead the potential equalization (4 mm²) of the plant ground with one eyelet over the bolt.
2. Position and tighten the M6 nut.

6.6 Connecting the purge air unit electrically



NOTE

For information on the purge air unit, see the Operating Instructions of the purge air unit (SLV4).

6.7 Putting the purge air unit into operation



NOTE

Electrical connections for the purge air unit, see Purge air unit Operating Instructions.

Preparation

Switch the power supply for each of the purge air units on for a short time to check the function and to remove any dust that may have penetrated the purge air hose.

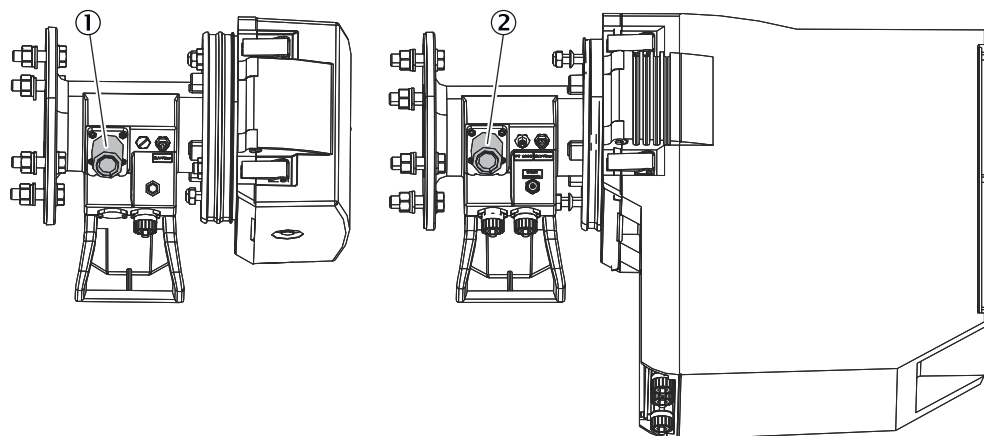


Figure 17: Purge air connections on sender/receiver unit and reflector unit

- ① Reflector unit: Purge air hose connection
- ② Sender/receiver unit: Purge air hose connection

Steps

1. Connect each of the purge air hoses (from the purge air unit) to the connection of the purge air attachment with a hose clamp.
2. Switch on the purge air supply.
- ✓ Purge air supply is now activated and protects the measuring system against contamination and overheating.



NOTICE

The purge air supply must not be switched off under any circumstances while the sender/receiver unit and reflector unit are on the sample gas duct.

**NOTICE**

Attach clearly visible warning information against unintentional switching off on all switching devices with which the purge air units can be switched off.

6.8 Connecting the connection unit (option)

**NOTE CAN BUS WIRING PROJECT PLANNING**

The following options are available for wiring the CAN bus connection between sender/receiver transceiver unit and control unit:

- Standard cable, 4 m, prefabricated.
- Connection unit with ready-made, 4 m long line to the sender/receiver unit; wiring to the control unit is done with the customer's cable.

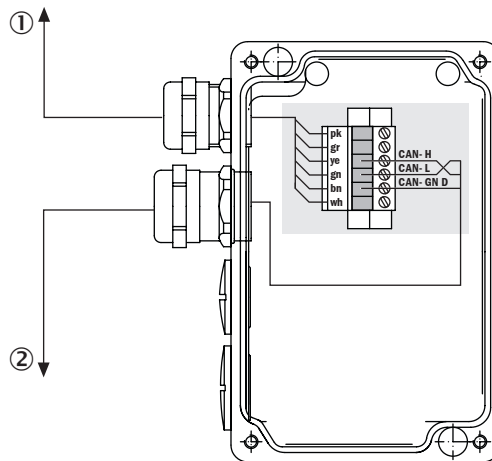


Figure 18: Connection unit electrical connection

- ① Connection line to sender/receiver unit
M screw fitting (Ø 5 ... 10)
- ② Connection line to control unit
M screw fitting (Ø 6 ... 12)

**NOTE**

The maximum line length between the connection unit and control unit is 300 m.

Steps

1. Determine no voltage is applied.
2. Lead CAN line for the sender/receiver unit through right M screw fitting ① to the terminal strip.
3. Lead CAN line for the control unit through M screw fitting ② to the terminal strip.
4. Connect shielding on the M screw fitting on the enclosure.
5. Connect the wires.
6. Connect the respective signals in the control unit and connection unit.

**NOTICE**

The CAN-H and CAN-L lines must be twisted pairs.

CAN bus line: Color marking of wiring

Wiring	Color code
CAN-H	Yellow

Wiring	Color code
CAN-L	Green
CAN GND	Brown
0 ... 20 mA	White
GND	Black

7 Commissioning

7.1 Safety

Technical knowledge needed / requirements for commissioning



NOTICE

- You are basically familiar with the device.
- You are familiar with conditions at the installation location, especially possible hazards through the gases in the gas duct (hot/dangerous to health). You are capable of recognizing and preventing danger by possibly escaping gases.

When one of these requirements is not met:

- ▶ Contact SICK Customer Service or your local SICK representative.

Grounding



NOTICE

Device damage through incorrect or missing grounding

It must be ensured during installation and maintenance work that the protective grounding of the device or lines involved is established in accordance with EN 61010-1:2010.

7.2 Requirements

- Operating Instructions for purge air supply
- Final inspection protocol
- SICK Documentation Checklist
- Measuring device switched on (2 hours warm-up phase)

7.3 Tools required

- Fork or ring spanner set
- Optical alignment tool (not included in standard scope of delivery)

7.4 Material required

- Optics cleaning wipes without detergent

7.5 Commissioning steps overview

Commissioning comprises three main steps:

- 1 Coarse optical alignment with alignment tool
- 2 Installation and connection of the measuring device at the measuring point
- 3 Fine optical alignment with internal alignment tool

Table 6: Commissioning steps

Step	Procedure	Reference
1	Remove the transport safety devices.	see "Removing the transport safety device", page 38
2	Put the purge air supply into operation.	see "Putting the purge air unit into operation", page 34
3	Carrying out coarse optical alignment.	see "Carrying out coarse optical alignment", page 39

Step	Procedure	Reference
4	Fitting the sender/receiver unit and reflector unit on the flange fixtures.	see "Fitting the sender/receiver unit and reflector unit on the flange fixtures", page 42
5	Connect the sender/receiver unit electrically.	see "Connecting the sender/receiver unit", page 43
6	Connect the reflector unit electrically.	see "Connecting the reflector unit", page 44
7	Carry out fine optical adjustment.	see "Fine optical alignment", page 44
8	Fit the weather hood (option).	see "Fitting the weather hood (option)", page 46
9	Start measuring operation.	see "Starting measuring operation", page 47

7.6 Removing the transport safety device

Removing the transport safety device on the sender/receiver unit and reflector unit



NOTE

The front cover of the sender/receiver unit and the reflector unit is clamped between the flange fixture and enclosure.

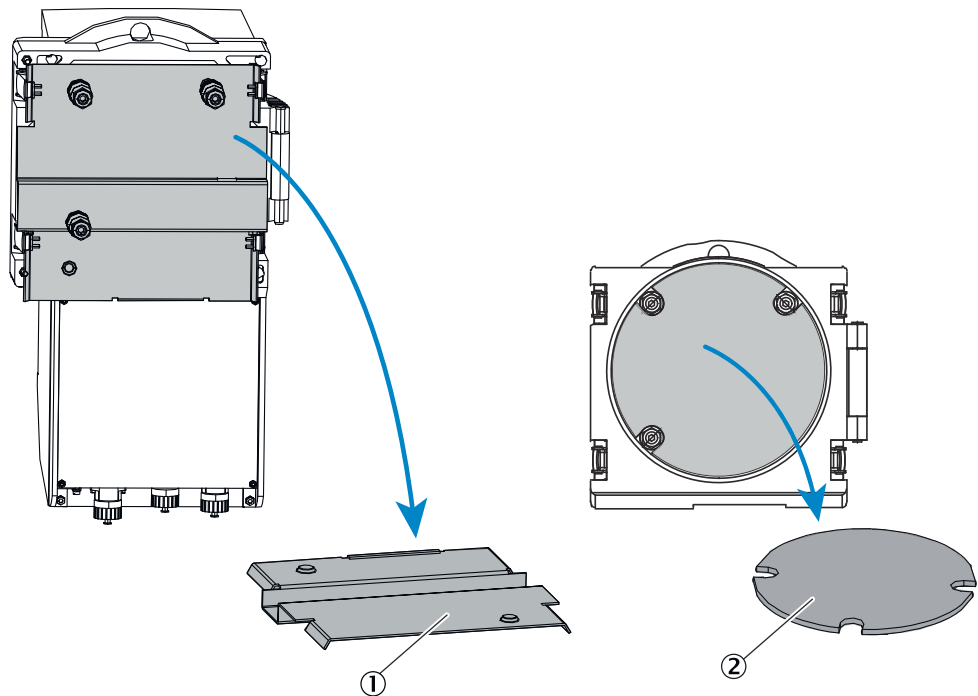


Figure 19: Transport safety devices

- ① Transport safety device, sender/receiver unit
- ② Transport safety device, reflector unit

Steps

1. Remove protective sticker.
2. Remove the protective plate to the front cover:
 - a) Open the quick-release fasteners. Swivel the flange fixture open.
 - b) Remove the protective cover.

3. Check the transport safety device for damage.
4. Store the transport safety device.

7.7 Carrying out coarse optical alignment

7.7.1 Optical alignment tool

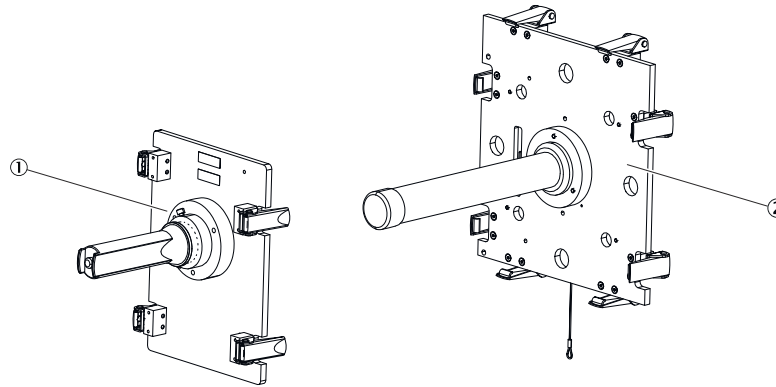


Figure 20: Alignment tool

- ① Alignment tool, sender unit (light source)
- ② Alignment tool, receiver unit (aiming device with visor)

7.7.2 Fitting the alignment tool on the sender/receiver unit

See also "[Removing the sender/receiver unit and reflector unit](#)", page 55.

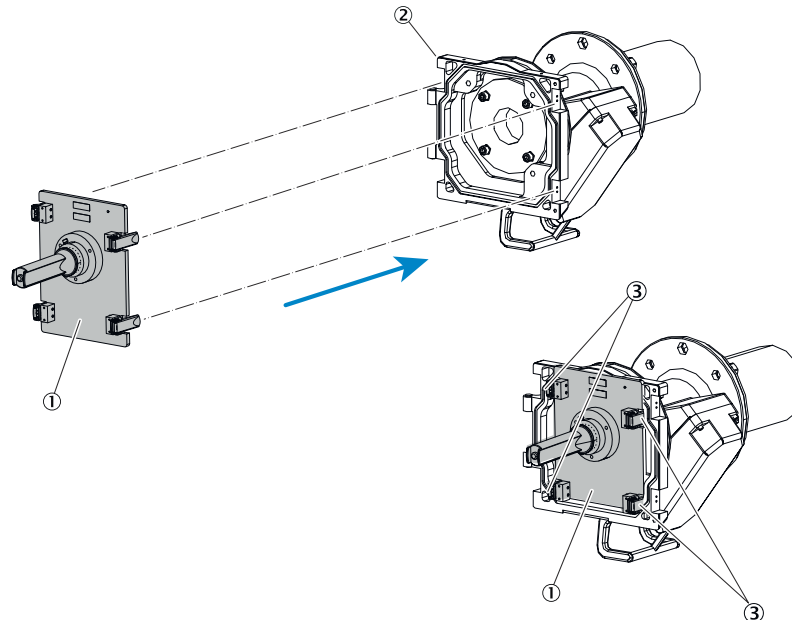


Figure 21: Fitting the alignment tool, sender/receiver unit

- ① Alignment tool, sender
- ② Flange fixture
- ③ Quick-release fasteners

Steps

1. Position the alignment tool with light source on the device flange of the sender/receiver unit. Fasten with the quick-release fasteners.

7.7.3 Fitting the alignment tool on the reflector unit

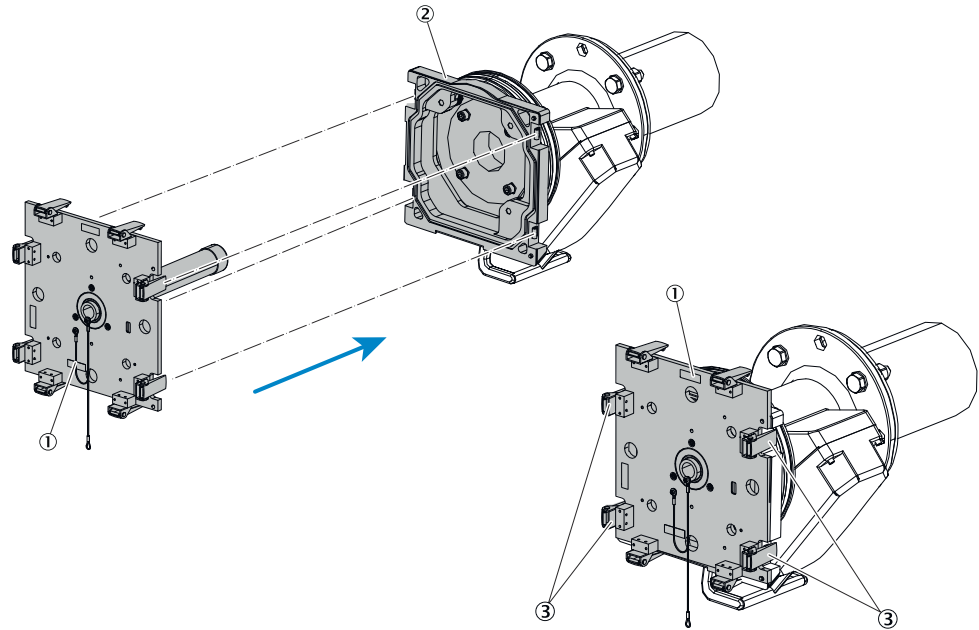


Figure 22: Fitting the alignment tool, reflector unit

- ① Alignment tool, reflector unit
- ② Flange fixture
- ③ Quick-release fasteners

Steps

1. Insert the alignment tool telescope into the device flange of the reflector unit. Fasten with the quick-release fasteners.

7.7.4 Carrying out coarse optical alignment of the reflector unit



NOTE

The laser beam is set by adjusting the adjustment screws. During adjustment, pressure is applied to the centering discs. It is essential that the gap caused by the centering discs is covered with the rubber sealing tape to prevent disturbances through incident light.

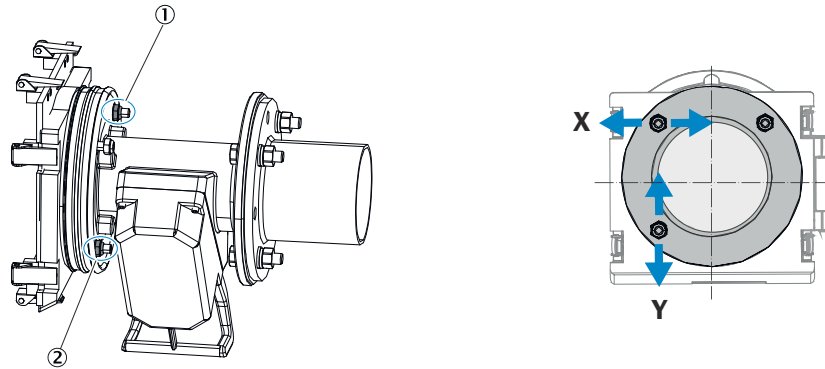


Figure 23: Optical alignment of the reflector unit

- ① Nut for horizontal adjustment (X)
- ② Nut for vertical adjustment (Y)

Steps

1. Ensure the gap between the flange fixture and the device flange of the purge air attachment is covered with the rubber sealing tape.
2. Adjust both nuts (opposite each other) for horizontal and vertical adjustment until the light spot in the alignment tool telescope appears in the center of the target.
3. Remove the alignment tool after coarse alignment is complete.

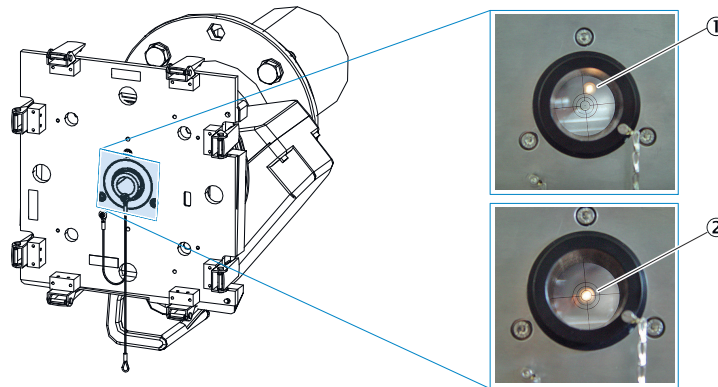


Figure 24: Checking optical alignment, reflector unit

- ① Light spot not correctly aligned
- ② Light spot correctly aligned

7.7.5 Carrying out coarse optical alignment of the sender/receiver unit



NOTE

The coarse optical alignment of the sender/receiver unit is carried out in the same way as for the reflector unit.

7.7.6 Checking coarse optical alignment

Steps

1. Exchange the alignment tool elements on the purge air attachments.
 2. Check the optical alignment for correct adjustment.
 3. Adjust the nuts of the adjustment screws accordingly when the light spot is not shown centred.
- ✓ Change the alignment tool elements until the correct alignment on both sides is achieved.

7.8 Fitting the sender/receiver unit and reflector unit on the flange fixtures



WARNING

Risk of injury when the device drops down

The weight of the device can cause it to drop down and cause injuries during the work described in this Section.

- ▶ Carry out assembly work on parts of the device together with another person when necessary.

Sender/receiver unit

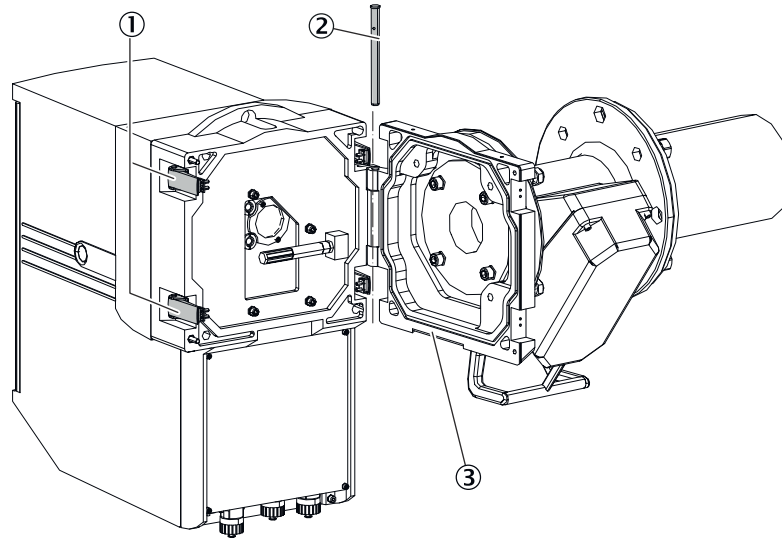


Figure 25: Fitting the sender/receiver unit on the flange fixture

- ① Quick-release fasteners
- ② Hinge pin
- ③ Flange fixture

Steps

1. Insert the sender/receiver unit into the hinge.
2. Insert the pin from the top downwards through the hinge.
3. Fold the sender/receiver unit flange fixture together.
4. Close the quick-release fasteners.

Reflector unit



NOTE

Fitting the reflector unit is identical.

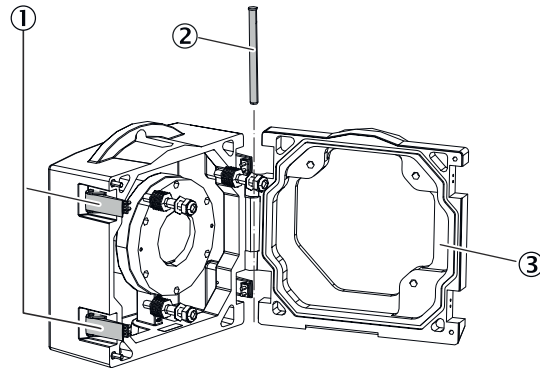


Figure 26: Fitting the reflector unit on the flange fixture

- ① Quick-release fasteners
- ② Hinge pin
- ③ Flange fixture

7.9 Connecting the sender/receiver unit

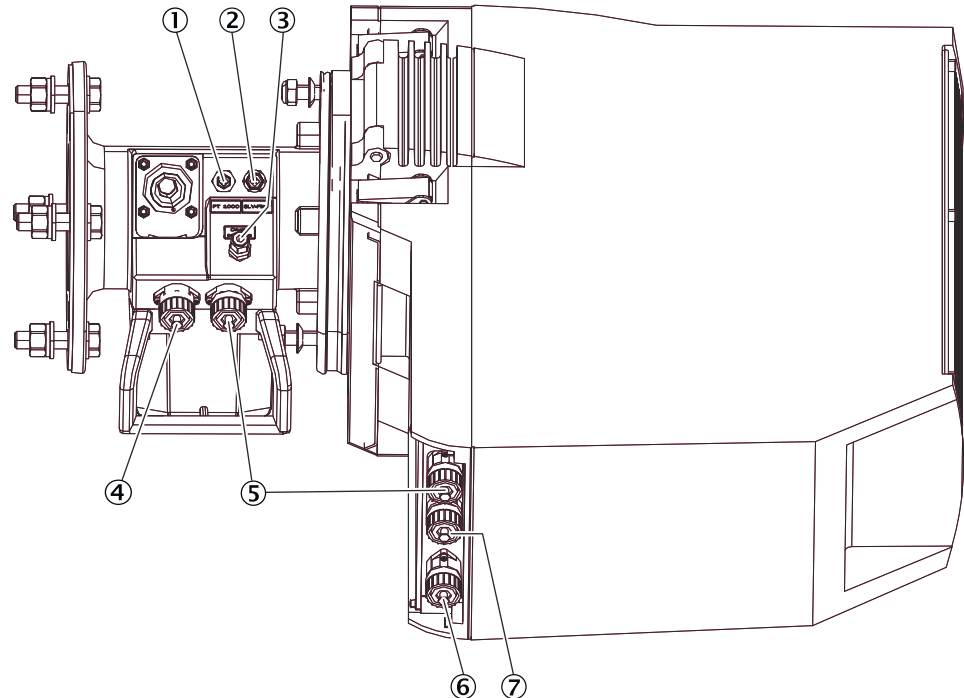


Figure 27: Sender/receiver unit electrical connections

- ① Temperature sensor connection
- ② Purge air unit low-pressure monitor connection
- ③ Pressure sensor connection
- ④ Reflector unit connection line connection
- ⑤ Purge air attachment – sender/receiver unit connection line
- ⑥ Power supply line connection
- ⑦ Control unit connection line connection



NOTE

Connection overview "[Connection overview](#)", page 29

Steps

1. Connect the temperature sensor PT1000.
2. Connect the purge air unit low-pressure monitor.
3. Connect the pressure sensor hose piece (accessory).
4. Connect the connection line between the sender/receiver unit and the purge air attachment.
5. Connect the connection line to the reflector unit.
6. If necessary, connect the connection line to the connection unit (option).
7. Connect the connection line to the control unit.
8. Connect the power supply line.

7.10 Connecting the reflector unit

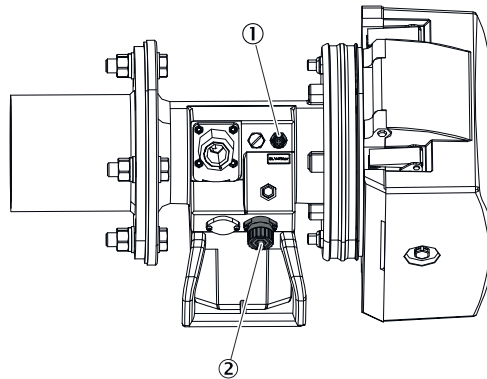


Figure 28: Reflector unit electrical connections

- ① Purge air unit low-pressure monitor connection
- ② Sender/receiver connection line connection

Steps

1. Connect the purge air unit low-pressure monitor.
2. Connect the connection line between the sender/receiver unit and the purge air attachment.

7.11 Fine optical alignment

The measuring function requires that the optical axis of the reflector assembly of the measuring probe (probe version) or the reflector unit (cross duct) is precisely aligned with the light beam of the sender/receiver unit. The optical alignment and control is carried out via:

- Control unit
- Visor on the sender/receiver unit:

The device is equipped with an automatic beam tracking system which ensures optimum alignment of the sender/receiver unit and reflector unit or measuring probe at all times during normal measuring operation - even under changing system conditions.

The automatic beam tracking has to be adjusted just once.

Prerequisite

- Device has warmed up to operating temperature (approx. 2 hours).

Description of the alignment tool on the sender/receiver unit

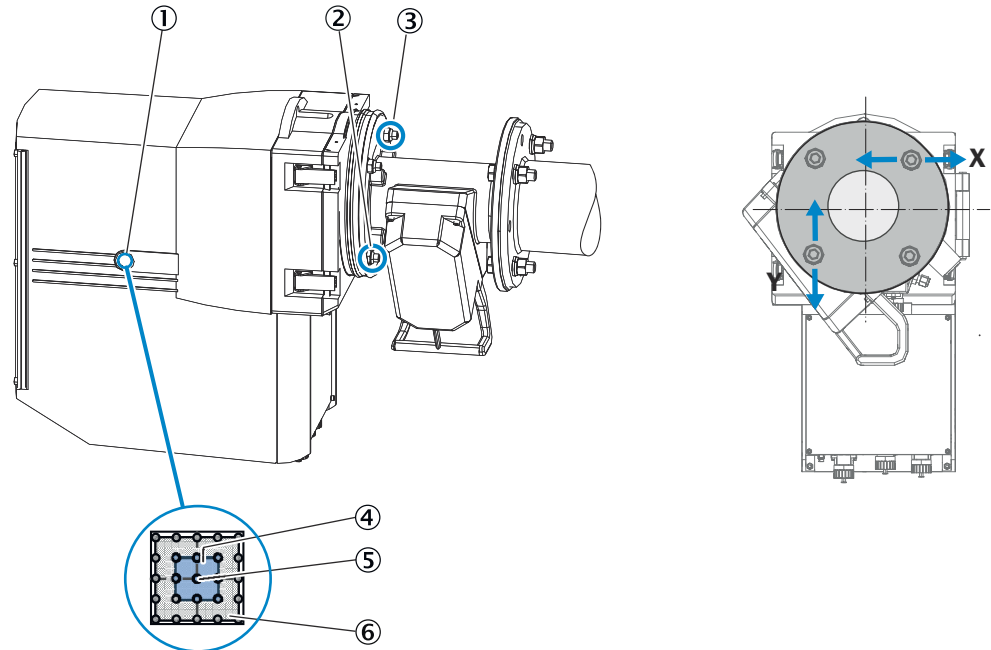


Figure 29: Fine optical alignment on the sender/receiver unit

- ① Visor for fine optical alignment:
5 × 5-LED matrix for displaying the light beam on the reflector element
- ② Nut for vertical adjustment (Y)
- ③ Nut for horizontal adjustment (X)
- ④ Visor: LED field for valid alignment
- ⑤ Visor: LED field for optimum alignment
- ⑥ LED matrix: LED field in case of invalid alignment

On the control unit:

Start optical alignment

1. Press button “maint”.
 2. Select “Adj. Opt. Align”.
- ✓ The values for the horizontal and vertical position (dx, dy) of the light beam are displayed on the reflector element.
 - ✓ Signal for optical alignment is sent to the control center. For devices with automatic beam tracking, the optical reference position is now approached.

On the sender/receiver unit:

Alignment with visor

3. Align the position of the light spot. To do this, use a 19 mm wrench to adjust the nuts for X and Y alignment on the device flange so that the light spot is imaged in the valid LED field of the visor; ideally in the central LED.

On the control unit:

Adjust optical alignment precisely

4. Check on the display that the values for dx and dy are $\leq \pm 0.1$.



NOTE

- dx value: Horizontal position or adjustment
- dy value: Vertical position or adjustment
- Values A, B, C and D are values of device-internal parameters. These should each be in the range of 350 ... 450.

5. If not, adjust the two nuts on the device flange until these values are reached.

7.12 Fitting the weather hood (option)

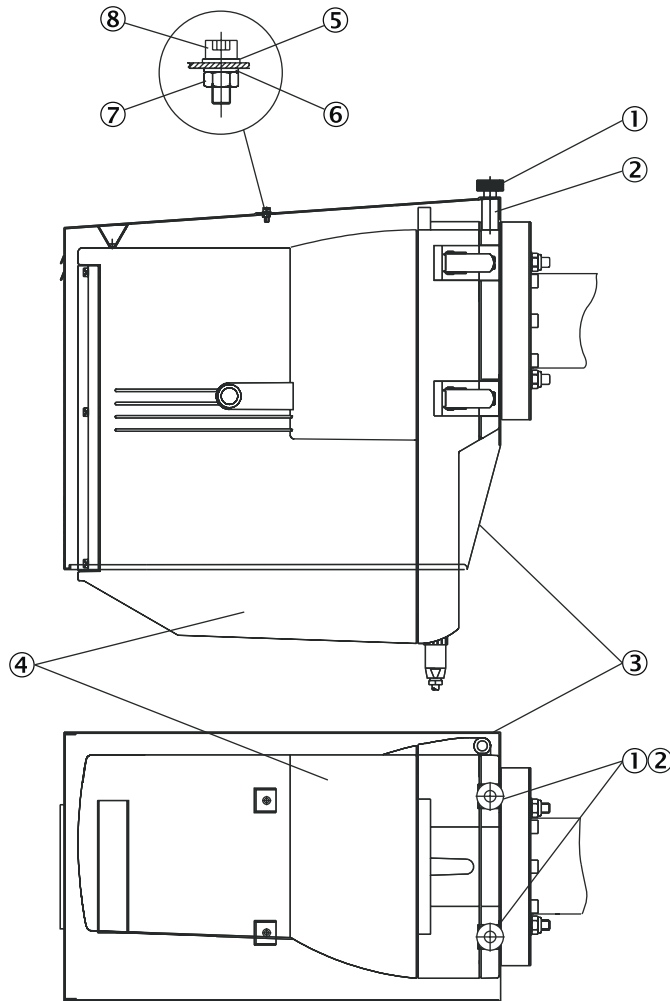


Figure 30: Fitting the weather hood for the sender/receiver unit

- ① Knurled nut
- ② Spacer bolt
- ③ Weather hood
- ④ Sender/receiver unit
- ⑤ Washer
- ⑥ Spring washer
- ⑦ Nut
- ⑧ Screw

Material required

- Fast curing epoxy resin two-component adhesives

Steps

1. Glue the two spacer bolts supplied onto the flange fixture of the sender/receiver unit each at a distance of 85 mm from the center.
2. Seal the two unused mounting holes in the center of the weather hood with dummy screws.
3. Place the weather hood on the sender/receiver unit.
- ✓ The threads of the spacer bolts protrude through the front mounting holes of the weather hood.
4. Secure the weather hood in position with the two knurled nuts.

7.13 Starting measuring operation



NOTE

The device is delivered from the factory with the parameter settings specified by the customer when ordering. When these parameter specifications match the parameters during commissioning, measuring operation can be started after fine optical alignment. The device can be configured to meet the plant conditions when required.

Steps

Starting measuring operation

1. Press button “Meas”.
- ✓ The device switches to Measuring mode.

Check status LEDs, malfunction and warning messages.



NOTE

Quick check of Measuring screens on the LC display of the control unit:
 ► Using the Operating Instructions, see ["Operating and display elements"](#), page 48.

When malfunction or warning messages are present:

- If the error cause cannot be cleared: Contact SICK Service.

7.13.1 Operating states

Message on display	Meaning
DOWNLOAD	Download new software (for Service purposes only)
INIT	Initialization of control unit
INITIALISATION	Initialization of sender/receiver unit
MAINTENANCE	Maintenance mode (no measurement)
MEASURING	Measuring operation
MEASURING LD	Measuring operation; beam length tracked (line locking done)
MEASURING LL	Measuring operation with active tracking of laser beam length (line locking)
SIGNAL_ADJUST	Adjusting amplification to changed transmission

8 Operation

8.1 Operating and display elements

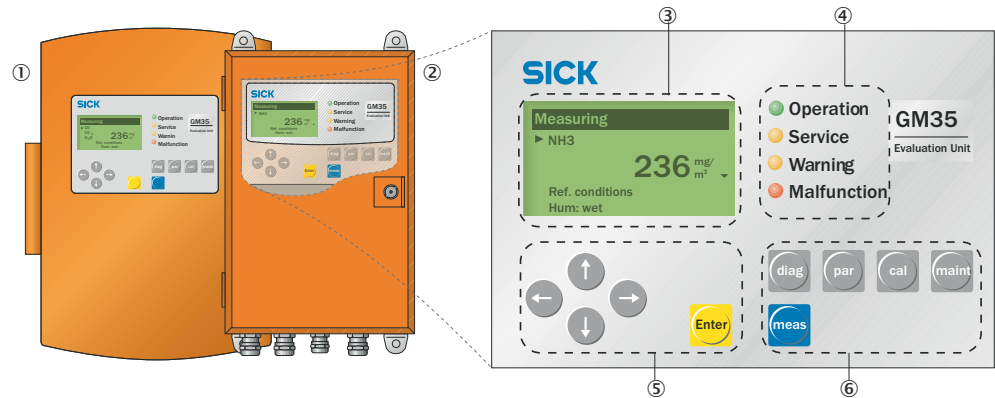






Figure 31: Operating and display elements

- ① Control unit AWE, cast metal enclosure
- ② Control unit, AWE, sheet steel enclosure
- ③ Display for
 - All current measured values
 - Computed value
 - Menu navigation
- ④ Status LEDs indicating operating and fault conditions
- ⑤ Function buttons for menu navigation and input
- ⑥ Function buttons for menu selection

Status LEDs

Table 7: Significance of Status LEDs

LED	Significance
 OPERATION	<ul style="list-style-type: none"> • Measuring mode • Device is switched on. Power voltage available.
 SERVICE	<ul style="list-style-type: none"> • Service mode
 Warning	<ul style="list-style-type: none"> • Warning message • At least one warning message pending. • Read the warning message, see Diagnosis mode (diag)
 MALFUNCTION	<ul style="list-style-type: none"> • Device malfunction • At least one malfunction message pending. • Read the malfunction message, see Diagnosis mode (diag)

8.2 Control unit menu tree



NOTE
Menu texts are shown in **English**.

8.2.1 Menu tree Measuring



Menu level		Explanation
Measuring		Measure <ul style="list-style-type: none"> • Current measured values: Depending on device version • Reference variables (wet, dry)

8.2.2 Menu tree, Diagnosis



Menu level		Explanation
Diagnosis		Diagnosis
Malfunction		Current error messages (plain-text)
Warning		Current warning messages (plain-text)
Sensor values	GM35	VIS AMP
	CO	
	H2O	
	Probe	Cross-Duct OH Cross-Duct Refl
		Cross-Duct version <ul style="list-style-type: none"> • Sender/receiver unit (OH) • Reflector unit
Check values	CO CO2 H2O	Current monitored sensor values (amplification setting, internal temperature control, control values, etc.)
Show Opt. Align		Displays the optical alignment

8.2.3 Menu tree, Parameters



Menu level		Explanation
Parameters		Parameters

Menu level		Explanation	
Settings		Parameter settings/display of system components	
	Configuration	Components Probe	Measuring components: CO or N ₂ O, CO ₂ , H ₂ O CAN connection (probe or cross-duct)
	Phys. Units	ppm Ref. conditions	Setting for units and reference values for individual gases
	Average	Avg. Time	Setting for averaging time for device
	Meas. Distance	Active Tube 1 Tube 2	Measuring distance
	Temperature	Source Subst. Unit	Setting for temperature: Source (probe/replacement/AI1), unit (K, °C, °F)
	Pressure	Source Subst.	Setting for pressure: Source (probe/replacement/AI2)
	Analog Out	Live zero Output1 Output2 Output3	Setting for analog outputs: Live Zero, component display area, cycle output
	Analog In	Input1 Input2 Input3	Setting for analog inputs: e.g. AI1, unit (K, °C, °F), live zero (0, 2, 4 MA, read range)
	Check Cycle	Rep. time	Setting for check cycle interval: 1 ... 1440
	Regress. Funct.	Regress. Funct.	Regress function for components: CO ₂ , H ₂ O Span: 0.5 ... 1.99 Zero: 0 ... ±9999.9
Device	Serial Number Software Revision	Retrieval of device information: Serial number and software version	
Service	Calibration CO/N ₂ O Calibration CO ₂ Calibration H ₂ O	Service area for calibration of measuring components	

8.2.4 Menu tree, Calibration



Menu level			Explanation
Calibration			Calibration
Check Cycle			Check cycle for test purposes, e.g. after maintenance activities
	Zero Adjust		Zero point determination, e.g., during commissioning or maintenance tasks
	Boxmeasuring		Checking measuring components with test gas using a gas adjustment unit
	Manual Test	Zero gas	Manual test with zero gas Adjustment of device-internal pressure and temperature measurement to reference measurements

8.2.5 Menu tree, Maintenance



Menu level			Explanation
Maintenance			Maintenance
Maintenance			Maintenance operation: On, off
Adj. Opt. Align.			Optical alignment function for the sender/receiver unit and reflector unit
Analog Out	AO 1:		Testing the analog outputs
	AO 2:		
	AO 3:		
Test Analog In	AI 1:		Testing the analog inputs
	AI 2:		
	AI 3:		
Test Relay	Relay 1		Testing the relay outputs
	Relay 2		
	Relay 3		
Test Digital In	DI 1		Testing the digital inputs
	DI 2		
	DI 3		
Reset System			Restarting the measuring system
Reset Parameter			Resetting parameters to factory settings ⚠ All settings will be overwritten!

9 Maintenance

9.1 Safety

**DANGER****Danger to life through electric shock**

There is a risk of electric shock when working on the device with the voltage supply switched on.

- ▶ Before starting work on the device, ensure the voltage supply can be switched off in accordance with the valid Standard using a power isolating switch/circuit breaker.
- ▶ Make sure the disconnecter switch is easily accessible.
- ▶ An additional disconnecting device is mandatory when the power disconnecter switch cannot be accessed or only with difficulty after installation of the device connection.
- ▶ Switch off the voltage supply before starting any work on the device.
- ▶ After completion of the work or for test purposes, calibration of the power supply may only be activated again by authorized personnel complying with the safety regulations.

**DANGER****Risk of injury from electrical accidents**

- **If the device has to be opened for setting or service work:**
 - ▶ First disconnect the device from all voltage sources.
- **If the opened device must remain under voltage during work:**
 - ▶ Have the work done by skilled persons familiar with potential risks. If it is necessary to remove or open internal components, live parts could be exposed.
- **If any liquid has penetrated electrical device components:**
 - ▶ Put the device out of operation. Disconnect the power voltage at an external point (e.g. disconnect the power cable). Then contact the manufacturer's service department or appropriately trained specialists to have the device repaired.
- **If safe operation of the device is no longer possible:**
 - ▶ Put the device out of operation. Secure against unauthorized startup.
- Do not interrupt the protective conductor connections inside or outside the device.

**WARNING****Health risk through contact with toxic gases**

The modules and devices contain enclosed, potentially dangerous gases that can escape should a defect or leak occur. Concentrations inside the closed unit can rise up to 350 ppm.

- CO and N₂O: 10 ml maximum total amount
- ▶ Check the unit regularly for the condition of the seals.
- ▶ Only open the device when good ventilation is available, especially when a leak of one of the device components is suspected.



WARNING

Risk of chemical burns/poisoning through caustic/toxic residues on components with sample gas contact

After the device has been decommissioned or removed from the measuring channel, process gas residues can exist as deposits on components with sample gas contact (e.g., gas filter, gas-carrying lines etc.). These residues can be odorless or invisible depending on the gas mixture in the duct. Without protective clothing, contact with such contaminated components can lead to severe burns or poisoning.

- ▶ Take appropriate protective measures for work (e.g., by wearing a safety mask, protective gloves and acid resistant clothes).
- ▶ In case of contact with skin or the eyes, rinse immediately with clear water and consult a doctor.
- ▶ Decontaminate all contaminated components according to regulations after disassembly.



NOTICE

Risk of device damage when the purge air is switched off too soon

Hot and contaminated gas can cause device damage when the purge air is switched off when the device is still in the gas duct.

- ▶ Do not switch the purge air unit off as long as the measuring device is still in the gas duct.

9.2 Maintenance plan



NOTICE

There is a risk of damage to the device when the maintenance intervals are not observed.

Table 8: Maintenance intervals

Inter-val ¹	Maintenance work	Reference
1W	Check measured values in the control area are plausible	see "Menu tree, Diagnosis", page 49
1M	Visual control of the system	see "Visual check", page 54
	Clean windows.	see "Cleaning optical surfaces", page 55
	Check optical alignment	see "Fine optical alignment", page 44
	Check IR source	see "Checking the function of the IR source", page 57
	Check and/or clean purge air unit	see "Cleaning the purge air unit", page 57 and purge air unit Operating Instructions
1Y	Check analyzer with span gas	Normally carried out by SICK Service.

¹ 1W = Weekly, 1M = Monthly, 1Y = Yearly

9.2.1 Maintenance protocol

Log the following data:

- Maintenance dates
- Work done
- Special observations
- Required consumables and spare parts

9.2.2 Expendable, wearing and spare parts

Available parts are listed on the product page on the Internet:

- www.sick.com

9.3 Preparatory work



NOTE

Some maintenance tasks will cause the measuring device to switch to malfunction

- ▶ Activate Maintenance mode before starting the work.
-



NOTE

- ▶ Ensure good accessibility to the device in accordance with valid accident prevention regulations.
 - ▶ Provide suitable work platforms/pedestals.
-

9.4 Visual check

All device components

- ▶ Check enclosures for mechanical damage.
- ▶ Check enclosures for soiling and clean.
- ▶ Check all lines for damage. Pay attention to chafe marks and kinks on line ducts.
- ▶ Check all hose fittings for tight seat.
- ▶ Check all electrical connections are free from corrosion and have a tight seat.
- ▶ Check grounding conductors are free from corrosion.
- ▶ Check flanges and screw fittings for tight seat.

Control unit

- ▶ Check for moisture outside and inside the enclosure.
- ▶ Check inspection window for soiling and clean.
- ▶ Check LEDs.
- ▶ If the control unit is damaged (e.g. LC display failure): Contact SICK Service.

Weather hood

- ▶ Check condition of the weather hood from the outside and inside.

9.5 Removing the sender/receiver unit and reflector unit

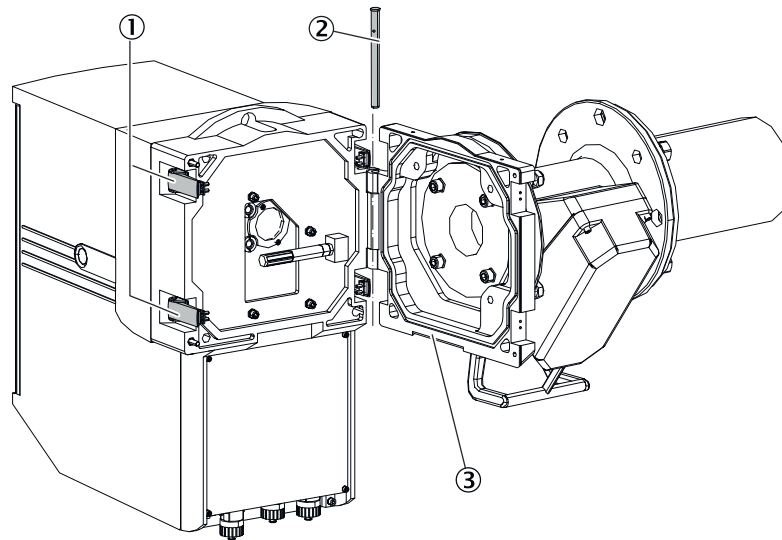


Figure 32: Removing the sender/receiver unit

- ① Quick-release fasteners
- ② Hinge pin
- ③ Flange fixture

Steps

1. Switch device off.
2. Release the quick-release fasteners to open the sender/receiver unit .
3. Immediately attach the cover on the device flange opening.
4. Pull out the hinge pin (in the direction of the arrow) to release the hinge between the sender/receiver unit and device flange.
5. Carefully remove the sender/receiver unit.
6. Place the sender/receiver unit in a safe place, protected from weather and dust.



NOTE

The disassembly steps for removing the reflector unit are identical.

9.6 Cleaning optical surfaces



CAUTION

Sample gases can cause injuries when working on the device.

- ▶ Before starting work, read the safety information in the Section “Commissioning”.

Material required

- Optics cleaning cloth
- Demineralized water

Sender/receiver unit and reflector unit

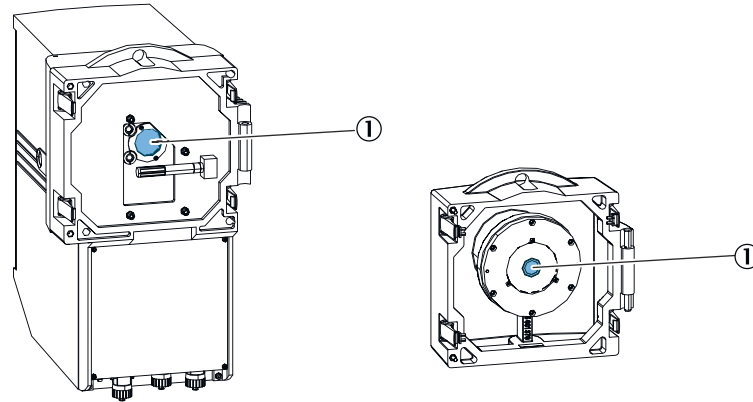


Figure 33: Optical surfaces on sender/receiver unit and reflector unit

① Optical surface



NOTICE

► Do not use cleaning agents. Residues can falsify measuring results.

Steps

1. Switch device off.
2. Open the sender/receiver unit enclosure and swing open by releasing the quick-release fasteners.
3. Remove hinge pin upwards.
4. Remove the sender/receiver unit.
5. If required: Clean optical surface with optics cloth and demineralized water.
6. Close the enclosure immediately after cleaning to protect the cleaned optical surfaces against moisture and dust.
7. Refit the sender/receiver unit on the device flange of the purge air attachment.

Reflector unit



NOTE

Open the reflector unit as well. Check optical surface. Clean with an optics cloth and demineralized water when necessary.

9.7 Cleaning the control unit

The device operates maintenance-free during operation.

Depending on the installation location, the following preventive maintenance work may be required for the device at regular intervals:

Table 9: Maintenance work

Maintenance work	Interval	To be carried out by
Clean enclosure and operator panel.	Cleaning interval depending on ambient conditions and climate	Qualified personnel
Check screw fittings and plug connections.	Depending on the installation location or operational requirements	Authorized electrician (authorized skilled electrician or person with similar training)

9.8 Cleaning the purge air unit

**NOTE**

For information on the purge air unit, see the Operating Instructions of the purge air unit (SLV4).

9.9 Checking the function of the IR source

Control unit AWE

1. Press the “diag” button.
 2. Select menu Sensor Values → GM35 general → VIS AMP MR.
 - ✓ Current sensor value is displayed.
 - ✓ The value for the amplification: Max. 255
-

**NOTE**

Perform a zero point adjustment after installing a new IR source module.

10 Troubleshooting

10.1 Safety

**WARNING****Health risk through contact with toxic gases**

The modules and devices contain enclosed, potentially dangerous gases that can escape should a defect or leak occur. Concentrations inside the closed unit can rise up to 350 ppm.

- CO and N₂O: 10 ml maximum total amount
- ▶ Check the unit regularly for the condition of the seals.
- ▶ Only open the device when good ventilation is available, especially when a leak of one of the device components is suspected.

**DANGER****Hazard by voltage**

Lines in the subassemblies of the measuring system are live and can cause serious injuries through electric shock when touched.

- ▶ Disconnect the subassemblies or lines involved from the power supply during installation, maintenance and repair work.

**WARNING****Risk of chemical burns/poisoning through caustic/toxic residues on components with sample gas contact**

After the device has been decommissioned or removed from the measuring channel, process gas residues can exist as deposits on components with sample gas contact (e.g., gas filter, gas-carrying lines etc.). These residues can be odorless or invisible depending on the gas mixture in the duct. Without protective clothing, contact with such contaminated components can lead to severe burns or poisoning.

- ▶ Take appropriate protective measures for work (e.g., by wearing a safety mask, protective gloves and acid resistant clothes).
- ▶ In case of contact with skin or the eyes, rinse immediately with clear water and consult a doctor.
- ▶ Decontaminate all contaminated components according to regulations after disassembly.

10.2 Monitoring and diagnostic system

The device has an integrated system that continually checks the operating state of the sender/receiver unit and the control unit. Corresponding messages are displayed for deviations from the normal state and recorded in the devices for later evaluation. Messages for the two system components are categorized into warning and malfunction messages depending on the effects to be expected:

Significance of warning messages

- Measuring results are not (yet) directly influenced by a deviating system state.
- Observance and clearance of the cause(s), e.g., through maintenance measures, are necessary to prevent subsequent errors or device damage

Significance of malfunction messages

- Measuring operation is no longer possible or no longer reliable.

**NOTE**

Warning and malfunction messages are stored in the built-in message memory of the control unit.

10.3 Device not functioning

Table 10: Device not functioning

Possible cause	Measure
Power supply not connected.	Check power lines and connections.
Main power supply failure.	Check power supply (e.g. socket, external disconnecting device).
Internal operating temperatures are incorrect.	Check whether error messages exist.
Internal software not functioning.	Can only occur with complex internal malfunctions or after strong external influences (e.g., strong electromagnetic interfering pulse). Switch device off. Switch back on again after a few seconds.

10.4 Clearing malfunctions on the control unit

Table 11: Possible causes and clearance

Malfunction	Possible cause	Clearance
Malfunction LED blinks, (Warning LED possibly on)	Plain-text error messages indicate possible causes.	<ol style="list-style-type: none"> 1. Press the "diag" button to trigger Diagnostic mode. 2. Call menu Malfunction (and/or Warning). 3. Check and clear the specified malfunction.
Control unit not responding.	Supply voltage not set correctly.	<ol style="list-style-type: none"> 1. Check supply voltage setting. 2. Replace fuse if necessary.
	Power supply on evaluation unit incorrect.	<ol style="list-style-type: none"> 1. Provide power supply from plant. 2. Check connections on system components and reconnect if necessary.
	Defective fuse	<ol style="list-style-type: none"> 1. Check fuse in control unit. 2. Replace fuse if necessary.
	Cause cannot be determined.	<ol style="list-style-type: none"> 1. Disconnect all system components from the power supply. Reconnect one at a time. 2. Check CAN bus line from the control unit to the sender/receiver unit or to the connection unit.
	Malfunction occurs again.	<ol style="list-style-type: none"> 1. Replace the last connected component. Consult SICK Service.
	24V/5V supply defective	<ol style="list-style-type: none"> 1. Check 24V/5V supply. 2. Replace control unit or printed circuit board. 3. Contact SICK Service.
Display output: Corrupt Parameters: Reset Memory	Inconsistent data detected in parameter memory	<ol style="list-style-type: none"> 1. Press Enter. ✓ A system restart is performed. This resets the parameters to the factory settings. 2. If necessary, reconfigure individual parameters 3. If the error message appears again: Replace control unit. 4. Contact SICK Service.

10.4.1 Communication error between control unit and receiver

Error message: "Sensor Communication"

The receiver sends data continually to the control unit, an error message is generated automatically when no data is received there.

Check following connections:

- 1 Control unit -> receiver.
- 2 Line connection on the plug-in terminal in the control unit.
- 3 Cable to receiver.
- 4 Outer plug-in connector on receiver.
- 5 Inner plug-in connector in receiver.

10.5 Malfunction messages



NOTE

This Table also contains recommended solutions that should only be carried out by specially trained personnel.

Table 12: Malfunction messages

Message	Description	Clearance
CDOH: No communication SLV	CAN connection between control unit and purge air attachment of the sender/receiver unit is interrupted.	▶ Check CAN connection. Repair if necessary.
CDR: No communication SLV	CAN connection between control unit and purge air attachment of the reflector unit is interrupted.	
CO Ampl. max N2O Ampl. max	CO, N ₂ O measuring amplifier is above its modulation range.	▶ Check optical alignment, see "Fine optical alignment", page 44. ▶ Check contamination of the optical surfaces and clean if necessary, see "Cleaning optical surfaces", page 55. ▶ If not successful, contact SICK Service.
CO com. (N2O com)	No connection between CO, N ₂ O module and CO, N ₂ O module.	▶ Check lines and plugs. Repair if necessary. ▶ If not successful, contact SICK Service.
CO CUVETTE com. N2O CUVETTE com	No connection between CO, N ₂ O module and CO, N ₂ O cell motor.	▶ Contact SICK Service.
CO CUVETTE range N2O CUVETTE range	<ul style="list-style-type: none"> • CO, N₂O channel in the reference cycle outside the expected range • CO, N₂O cell possibly leaking 	
CO div. zero N2O div. zero	Adjustment data of CO, N ₂ O module invalid.	
CO EEPROM N2O EEPROM	CO, N ₂ O module parameter record invalid	▶ Contact SICK Service.
CO Motor fault N2O Motor fault	CO, N ₂ O filter wheel fault	▶ Contact SICK Service.
CO No signal N2O No signal	<ul style="list-style-type: none"> • CO, N₂O signals too low, no measurement possible • Dust content too high • CO, N₂O detector or IR source defective • CO, H₂O measurement channels continue running. 	▶ Check contamination of the optical surfaces and clean if necessary, see "Cleaning optical surfaces", page 55. ▶ Check optical alignment, see "Fine optical alignment", page 44. ▶ Have IR source or measuring module replaced. Contact SICK Service.
CO Sig. High N2O Sig. High	CO, N ₂ O signals distorted, CO ₂ , H ₂ O measuring channels continue running.	▶ Contact SICK Service.
CO temp. detec. N2O temp. detec.	Temperature of CO, N ₂ O detector outside tolerance	▶ Contact SICK Service.
El too hot SLV	Electronics too hot	▶ Improve cooling of sender/receiver unit.

Message	Description	Clearance
Filter com.	No connection between CO ₂ -, H ₂ O module and control filter motor	▶ Contact SICK Service.
H2O Ampl. Max	CO ₂ -, H ₂ O measuring amplifier above its modulation range.	▶ Check optical alignment, see "Fine optical alignment", page 44. ▶ Check contamination of the optical surfaces and clean if necessary, see "Cleaning optical surfaces", page 55. ▶ Contact SICK Service.
H2O CUVETTE com.	No connection between CO ₂ -, H ₂ O module and cell motor.	▶ Contact SICK Service.
H2O div. Zero	Adjustment data of CO ₂ /H ₂ O module invalid.	▶ Contact SICK Service.
H2O EEPROM	Parameter record of CO ₂ /H ₂ O module invalid	
H2O Motor fault	Motor fault of CO ₂ /H ₂ O filter wheel	▶ Contact SICK Service.
H2O No signal	<ul style="list-style-type: none"> • H₂O signals too low, no measurement possible • Dust content too high • H₂O detector or IR source defective • CO, N₂O measurement channel still running. 	▶ Check contamination of the optical surfaces and clean if necessary, see "Cleaning optical surfaces", page 55. ▶ Check optical alignment, see "Fine optical alignment", page 44. ▶ Have IR source or measuring module replaced. Contact SICK Service.
H2O Sig. High	CO ₂ /H ₂ O measuring signal distorted.	▶ Contact SICK Service.
H2O temp. detec.	CO ₂ /H ₂ O detector temperature outside tolerance	▶ Contact SICK Service.
Mirror adj. End	Automatic beam tracking at end stop, further tracking not possible	▶ Check optical alignment, see "Fine optical alignment", page 44. ▶ If not successful, contact SICK Service.
Mirror com.	No communication to automatic beam tracking, measurement continues.	▶ Contact SICK Service.
Sensor communication	No connection between control unit and analyzer	▶ Check CAN connection. Repair if necessary.
VISOR com.	No connection between CO ₂ /H ₂ O module and visor unit	▶ Check lines and plugs. Repair if necessary. ▶ If not successful, contact SICK Service.
VISOR fault	Visor unit data or signals distorted	▶ Check optical alignment, see "Fine optical alignment", page 44.
VISOR init.	Basic setting of visor unit invalid.	▶ Contact SICK Service.
VISOR No signal	<ul style="list-style-type: none"> • Visor signals too low • Dust content too high • IR source defective • Measurement continues. 	▶ Check contamination of the optical surfaces and clean if necessary, see "Cleaning optical surfaces", page 55. ▶ Check optical alignment, see "Fine optical alignment", page 44. ▶ If not successful, contact SICK Service.
Zero com.	No connection between CO ₂ /H ₂ O module and motor of zero point reflector	

10.6 Warning messages

Table 13: Warning messages

Message	Description	Clearance
Air purge low SLV	Volume flow is below the set threshold.	▶ Check purge air supply (blower, hoses), change filter on purge air blower if necessary, see Purge Air Supply Manual.
Chopper freq.	Chopper wheel frequency outside tolerance.	▶ Replace lamp module. ▶ If not successful, contact SICK Service.

Message	Description	Clearance
CD: Filter watch SLV	Purge air unit low-pressure monitor switches on binary input.	<ul style="list-style-type: none"> ▶ Check purge air supply (blower, hoses), change filter on purge air blower if necessary, see Purge Air Supply Manual.
CD: P No Signal SLV	No signal from pressure sensor	<ul style="list-style-type: none"> ▶ Check connection and line connections of the pressure sensor on the purge air attachment. Repair if necessary.
CD: P out of range SLV	Sample gas pressure < 500 or > 1200 hPa/mbar.	<ul style="list-style-type: none"> ▶ Check or replace pressure sensor.
CD: T Air Sign. SLV	Sensor break or no temperature sensor (purge air temperature) connected.	<ul style="list-style-type: none"> ▶ Check connection and line connection of the temperature sensor (purge air temperature) on the purge air attachment. Repair if necessary.
CD: [t] No Signal SLV	Sensor break or no temperature sensor (flue gas temperature) connected.	<ul style="list-style-type: none"> ▶ Check connection and line connection of the temperature sensor (flue gas temperature) on the purge air attachment. Repair if necessary.
CO/N2OLow sig.	<ul style="list-style-type: none"> • Contamination of the CO, N₂O measuring channel • Dust content too high • IR source aged 	<ul style="list-style-type: none"> ▶ Check contamination of the optical surfaces. Clean if necessary. see "Cleaning optical surfaces", page 55 ▶ Check optical alignment see "Fine optical alignment", page 44 ▶ If not successful, contact SICK Service.
CO/N2O not ready	<ul style="list-style-type: none"> • CO, N₂O measurement not ready yet. • Signal distorted. • The device is in the warm-up phase. 	<ul style="list-style-type: none"> ▶ Wait until the operating temperature is reached (30 minutes). ▶ If not successful, contact SICK Service.
CO2 Reference	Deviation of control value measurement too large	<ul style="list-style-type: none"> ▶ Perform maintenance. ▶ Contact SICK Service.
H2O Low sig.	<ul style="list-style-type: none"> • Contamination of the H₂O measuring channel • Dust content too high • IR source aged 	<ul style="list-style-type: none"> ▶ Check contamination of the optical surfaces. Clean if necessary. see "Cleaning optical surfaces", page 55 ▶ Check optical alignment see "Fine optical alignment", page 44 ▶ Contact SICK Service.
H2O not ready	<ul style="list-style-type: none"> • CO₂, H₂O measurement not ready yet. • Signal distorted. • The device is in the warm-up phase. 	<ul style="list-style-type: none"> ▶ Wait until the operating temperature is reached (30 minutes). ▶ Contact SICK Service.
H2O Reference	Deviation of control value measurement too large	<ul style="list-style-type: none"> ▶ Perform maintenance. ▶ Contact SICK Service.
HYGRO com	No connection between CO ₂ , H ₂ O module and humidity sensor.	<ul style="list-style-type: none"> ▶ Check line connection and correct seating of the plug connection; Repair if necessary. ▶ Switch to default value. ▶ Contact SICK Service.
HYGRO internal	No communication to the internal humidity sensor <ul style="list-style-type: none"> • Sensor defective/line break 	<ul style="list-style-type: none"> ▶ Check line connections. ▶ Exchange sensor.
MIRROR adj.	Automatic beam tracking: Optical axis tilt greater than trackable range	<ul style="list-style-type: none"> ▶ Check optical alignment, see "Fine optical alignment", page 44
MR Adjustment	Visor unit shows deviation (> 0.5 from nominal position)	<ul style="list-style-type: none"> ▶ Check optical alignment, see "Fine optical alignment", page 44
Software version	Software of control unit and sender/receiver unit not compatible	<ul style="list-style-type: none"> ▶ Install latest software. ▶ Contact SICK Service.
VISOR amplifier	Amplifier in visor at limit. The amplifier control takes place in the control cycle; maximum value 255.	<ul style="list-style-type: none"> ▶ Check contamination of the optical surfaces. Clean if necessary. see "Cleaning optical surfaces", page 55

10.7 Repairing inadequate purge air supply

**NOTE**

For information on the purge air unit, see the Operating Instructions of the purge air unit (SLV4).

10.8 Corrosion on flange

Table 14: Possible causes and clearance

Possible errors	Possible causes	Clearance
Corrosion on flange	Unsuitable materials	► Check project planning.

11 Decommissioning

11.1 Safety

Required technical knowledge



NOTICE

- You are basically familiar with the device.
- You are familiar with conditions at the installation location, especially possible hazards through the gases in the gas duct (hot/dangerous to health).
- You are capable of recognizing and preventing danger by possibly escaping gases.

When one of these requirements is **not** met:

- ▶ Contact SICK Service or your local SICK representative.

Gas



DANGER

Hazard through gas escaping when the sender/receiver unit and reflector unit are swiveled out

Overpressure in the gas duct can cause hot and/or noxious gases to escape when the sender/receiver unit or reflector unit is swiveled out.

- ▶ Take appropriate safety measures: Only then swivel the sender/receiver unit or reflector unit out.



DANGER

Danger to life by leaking hot and toxic gases

Hot and/or noxious gases can escape during work on the gas duct, depending on the plant conditions.

- ▶ Work on the gas duct may only be performed by skilled technicians who, based on their technical training and knowledge as well as knowledge of the relevant regulations, can assess the tasks given and recognize the hazards involved.

Electricity

Observe all safety information in Sections Commissioning and Electrical installation.

Device damage



NOTICE

Risk of device damage when the purge air is switched off too soon

Hot and contaminated gas can cause device damage when the purge air is switched off when the measuring device is still fitted in the gas duct.

- ▶ Do not switch the purge air unit off as long as the measuring device is still in the gas duct.

11.2 Removing the device

Material required	Required for
Flange cover	Covering the flange
Personal protective equipment	Protection when working on the stack or hot or aggressive sample gases

Removing the measuring device

Steps

1. Loosen and remove all connecting lines of the device components.
2. Remove the sender/receiver unit and/or reflector unit, see ["Removing the sender/receiver unit and reflector unit"](#), page 55.
3. When necessary, unscrew and remove device flanges.
4. When necessary, unscrew and remove purge air attachments on the flanges.
5. Switch purge air supply off and remove purge air hoses on device flanges.
6. Close the flanges on the gas duct with a cover.

Information on storage

see ["Storage"](#), page 16.

11.3 Preparing the device ready for shipping

Before shipping:

- ▶ Contact your local SICK representative. The addresses are on the back cover of the Operating Instructions.
- ▶ Your SICK representative can advise you whether the defective device can be repaired locally or whether it would more advantageous for you to return the device for repair.
- ▶ Observe the following when returning the device to SICK:
 - Flat rates for repairs (concerning duration and costs)
 - Safety protection for the transport
 - Replacement devices or putting the device back into operation by SICK Service



NOTICE

Correct device preparation for return delivery

- ▶ Clean all device components.
- ▶ Use the original packaging for the transport.
- ▶ Complete the Non-Risk Declaration (NRD) and lay these clearly visible in the packaging.

Without the Non-Risk Declaration, the device will either be cleaned by a third-party company at the customer's expense or the package will not be accepted.

Clean the device before returning

Prerequisite: Switch device free from voltage.



NOTICE

Close the enclosure before cleaning so that no fluid can penetrate.

Clean surfaces and parts with media contact:

- ▶ Remove loose contamination with compressed air.
- ▶ Remove adhering contamination with a mild soap solution and a soft cloth.



NOTE

Cleaning agents not to be used

- High-pressure cleaners
- Aggressive mechanical or chemical cleaning agents

- ▶ Clean optical surfaces.

11.4 Environmentally compatible disposal

The device should be disposed as industrial waste.



NOTICE

- ▶ Observe relevant local conditions for disposal of industrial waste.
-



WARNING

Disposal of subassemblies containing residual substances which are harmful to the environment

The following subassemblies could contain substances that have to be disposed of separately:

- Electronics: Capacitors, rechargeable batteries, batteries
 - Display: Liquid of LC-Display
-

12 Technical data

12.1 GM35 system

Table 15: Technical data System GM35

Description	In-situ gas analyzer for emission monitoring and process measurement
Measured variables	CO, CO ₂ , H ₂ O, N ₂ O
Performance-tested measured variables	CO, CO ₂ , H ₂ O
Measuring principles	Gas filter correlation, Interference filter correlation
Measuring distance	0.25 m to max. 11.5 m ("Flange - flange distance" minus 2 × flange length)
Measuring ranges	<p>CO:</p> <ul style="list-style-type: none"> 0 ... 180 ppm / 0 ... 20,000 ppm <p>CO₂:</p> <ul style="list-style-type: none"> 0 ... 22.5 Vol.-% / 0 ... 100 Vol.-% <p>H₂O:</p> <ul style="list-style-type: none"> 0 ... 25 Vol.-% / 0 ... 100 Vol.-% <p>N₂O:</p> <ul style="list-style-type: none"> 0 ... 60 ppm / 0 ... 2,500 ppm <p>Measuring ranges refer to 1 m measuring distance. Measuring ranges depending on application and device version</p>
Certified measuring ranges	<p>CO:</p> <ul style="list-style-type: none"> 0 ... 75 mg/m³ / 0 ... 2,000 mg/m³ <p>CO₂:</p> <ul style="list-style-type: none"> 0 ... 15 Vol.-% <p>H₂O:</p> <ul style="list-style-type: none"> 0 ... 25 Vol.-% <p>Cross-Duct and GMP versions are performance-tested.</p>
Zero point drift	± 2%: relative to upper measuring range value
Reference point drift	± 2%: in maintenance interval (6 months), relative to upper measuring range value
Ambient temperature	-20 °C ... +50 °C Temperature change maximum ±10 °C/h
Storage temperature	-40 °C ... +55 °C
Ambient humidity	≤ 96% relative humidity, non-condensing
Conformities	EN 15267 (MCERTS)
Electrical safety	CE
Assembly	Mounting flange, DN125, PN6 Mounting flange, ANSI, 5"
Control functions	Automatic check cycle for zero and reference point
Options	Control unit SCU (only for non-Ex areas)

12.2 Sender/receiver unit

Table 16: Technical data, GM35 sender/receiver unit

Description	Analyzer unit of measuring system
--------------------	-----------------------------------

Degree of protection	IP66 / NEMA 4x
Dimensions (W × H × D)	291 mm × 527 mm × 529 mm
Weight	29 kg
Power supply	<ul style="list-style-type: none"> • Voltage: 115 V AC / 230 V AC • Frequency: 48 ... 62 Hz • Power input: ≤ 350 W

12.3 Reflector unit

Table 17: Technical data, reflector unit

Description	Reflector unit with hollow triple reflector
Degree of protection	IP65
Process temperature	≤ +500 °C For N ₂ O measurement max. 180 °C
Process pressure	-60 hPa ... +30 hPa Depending on purge air supply
Dust load	≤ 3 g/m ³ Relative to 1 m measuring distance, depending on application
Dimensions	291 mm × 280 mm × 161 mm
Weight	8.5 kg

12.4 Control unit, AWE, sheet steel enclosure

Table 18: Technical data, control unit, AWE, sheet steel version

Description	The control unit serves as user interface, for data processing and output as well as control and monitoring functions.
Degree of protection	IP65
Analog outputs	3 outputs: <ul style="list-style-type: none"> • 0/4 ... 20 mA, 500 Ω • Electrically isolated
Analog inputs	1 input: <ul style="list-style-type: none"> • 0 ... 20 mA, 100 Ω
Digital outputs	3 relay contacts: <ul style="list-style-type: none"> • 48 V AC, 1 A, 60 W / 48 V DC, 1 A, 30 W • Preset for malfunction, maintenance and function check
Digital inputs	3 inputs: <ul style="list-style-type: none"> • +24 V
Serial	✓ <ul style="list-style-type: none"> • Type of field bus integration; RS-232 • Function: Proprietary Service Interface
CAN bus	✓ Function: Internal System bus
Display	LC-Display Status LEDs: Operation, Service, Warning, Malfunction
Input	Arrow buttons Function buttons
Operation	Menu-guided operation via LC-display and membrane keyboard
Version	Sheet steel enclosure

Dimensions (W × H × D)	200 mm × 346 mm × 97,5 mm
Weight	4.7 kg
Power supply	<ul style="list-style-type: none"> • Voltage: 115 V / 230 V AC, plus 10 % tolerance • Frequency: 50 Hz / 60 Hz • Power input : ≤ 50 W

12.5 Control unit, AWE, cast metal enclosure

Table 19: Technical data, control unit, AWE, cast metal version

Description	The control unit serves as user interface, for data processing and output as well as control and monitoring functions.
Degree of protection	IP67
Analog outputs	3 outputs: <ul style="list-style-type: none"> • 0/4 ... 20 mA, 500 Ω • Electrically isolated
Analog inputs	1 input: <ul style="list-style-type: none"> • 0 ... 20 mA, 100 Ω
Digital outputs	3 relay contacts: <ul style="list-style-type: none"> • 48 V AC, 1 A, 60 W / 48 V DC, 1 A, 30 W • Preset for malfunction, maintenance and function check
Digital inputs	3 inputs: <ul style="list-style-type: none"> • +24 V
Serial	✓ <ul style="list-style-type: none"> • Type of field bus integration; RS-232 • Function: Proprietary Service Interface
CAN bus	✓ Function: Internal System bus
Display	LC-Display Status LEDs: Operation, Service, Warning, Malfunction
Input	Arrow buttons Function buttons
Operation	Menu-guided operation via LC-display and membrane keyboard
Version	Cast metal enclosure
Dimensions (W × H × D)	289 mm × 370 mm × 138 mm
Weight	8.6 kg
Power supply	<ul style="list-style-type: none"> • Voltage: 115 V / 230 V AC, plus 10 % tolerance • Frequency: 50 Hz / 60 Hz • Power input : ≤ 50 W

12.6 Connection unit

Table 20: Technical data, connection unit

Description	To extend the CAN bus connection with a line provided by the customer
Degree of protection	IP65
Dimensions (W × H × D)	125 mm × 103 mm × 57 mm
Weight	3 kg

12.7 Purge air attachment

Table 21: Technical data, purge air attachment

Description	Flange fixture with connections for purge air hose and temperature and pressure sensors
Dimensions (W × H × D)	309 mm × 364 mm × 242 mm Details, see Dimension drawings
Weight	9.6 kg
Auxiliary gas connections	Purge air: Hose nozzle, 40 mm
Electrical connections	<p>Sender/receiver unit:</p> <ul style="list-style-type: none"> • SLV filter (low-pressure monitor, purge air unit) • Temperature sensor PT1000 • Pressure sensor <p>Reflector unit:</p> <ul style="list-style-type: none"> • SLV filter (low-pressure monitor, purge air unit)
Built-in components	<p>Sender/receiver unit:</p> <ul style="list-style-type: none"> • Flow monitor for purge air monitoring • Pressure sensor <p>Reflector unit:</p> <ul style="list-style-type: none"> • Flow monitor for purge air monitoring

12.8 Dimension drawing, sender/receiver unit

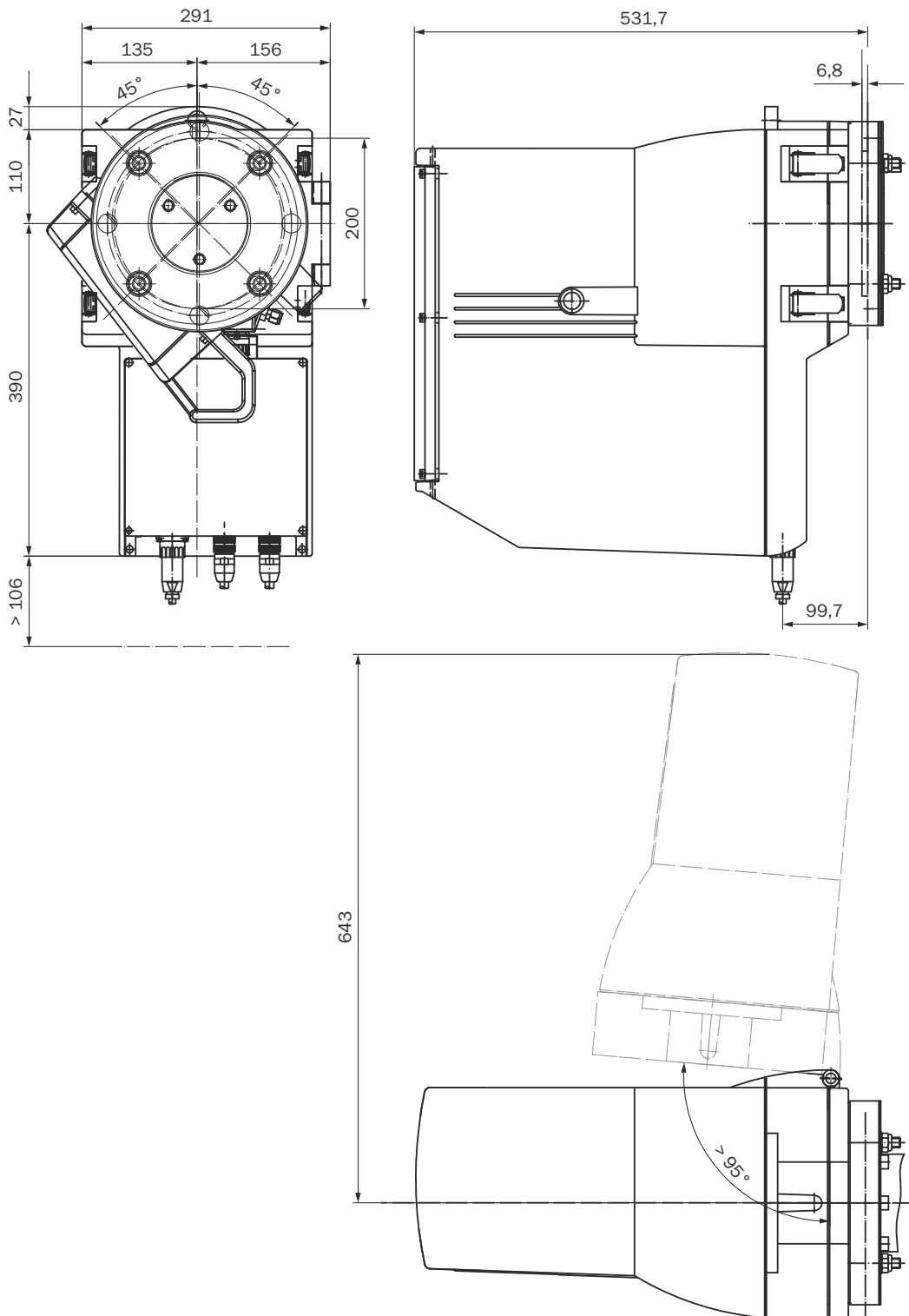


Figure 34: GM35 sender/receiver unit (all dimensions in mm)

12.9 Dimension drawing, reflector unit

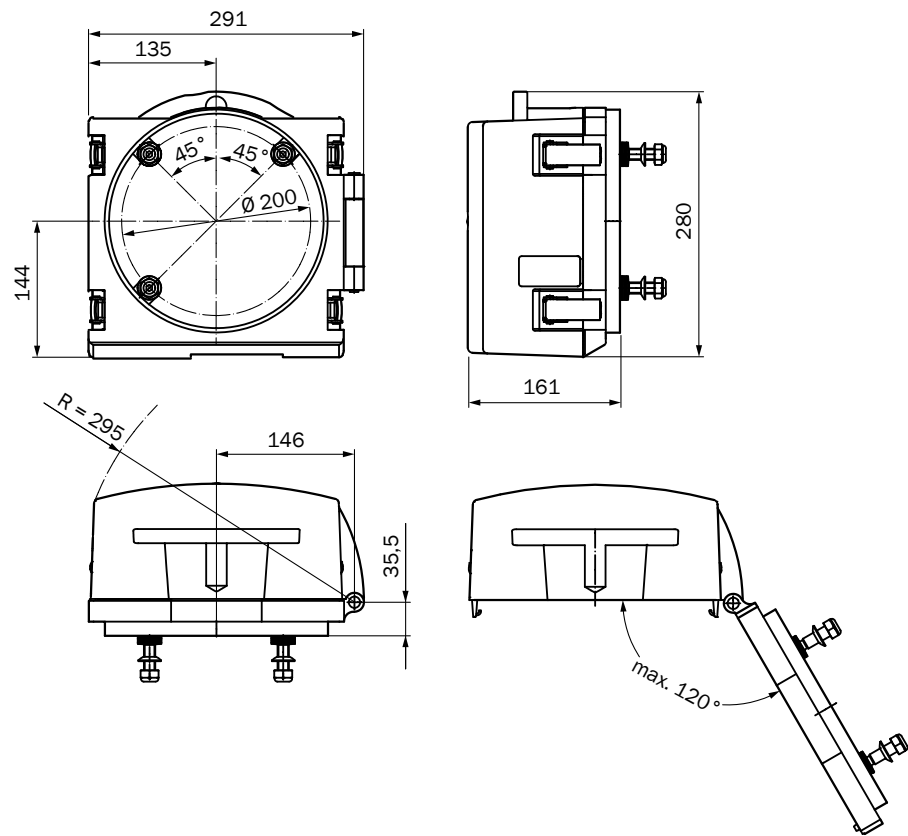


Figure 35: Reflector unit (dimensions in mm)

12.10 Dimension drawing, control units

Control unit AWE (sheet steel enclosure version)

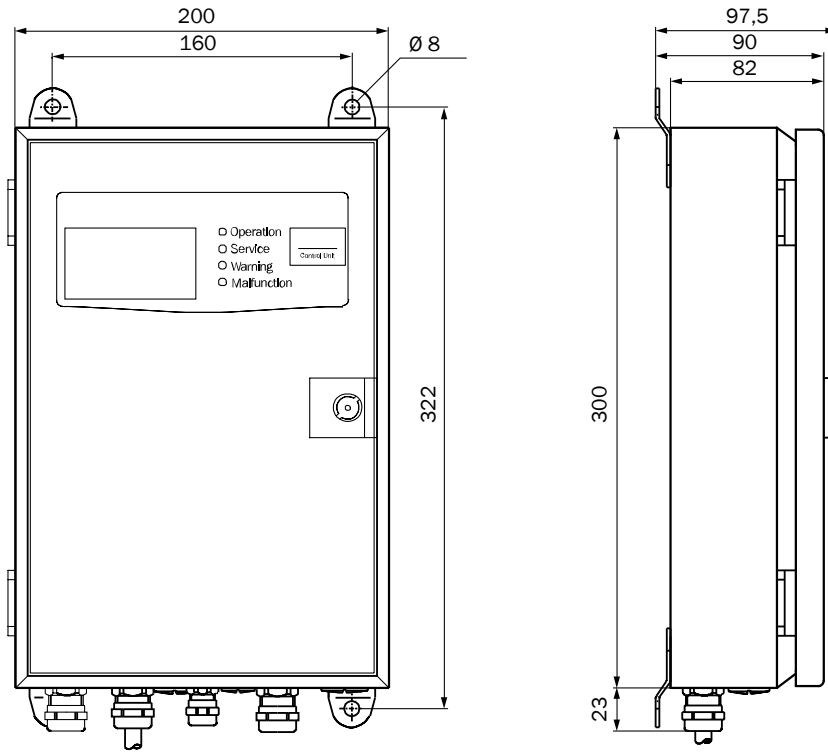


Figure 36: Fitting the control unit AWE (sheet steel enclosure version), dimensions in mm

Control unit AWE (cast metal enclosure version)

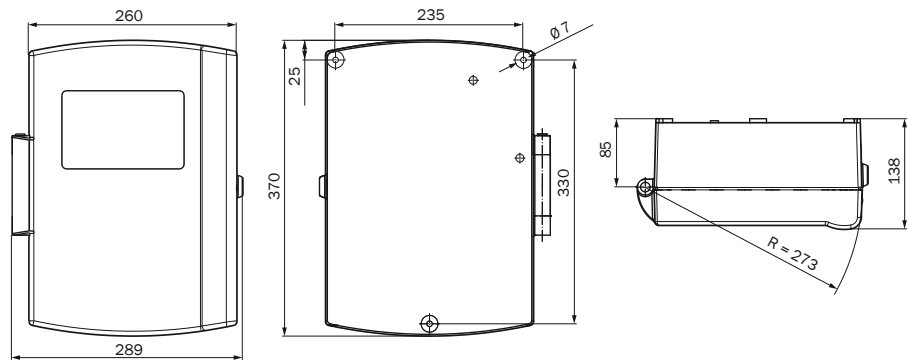


Figure 37: Fitting the control unit AWE (sheet steel enclosure version), dimensions in mm

12.11 Dimension drawing, flange with tube, DN125

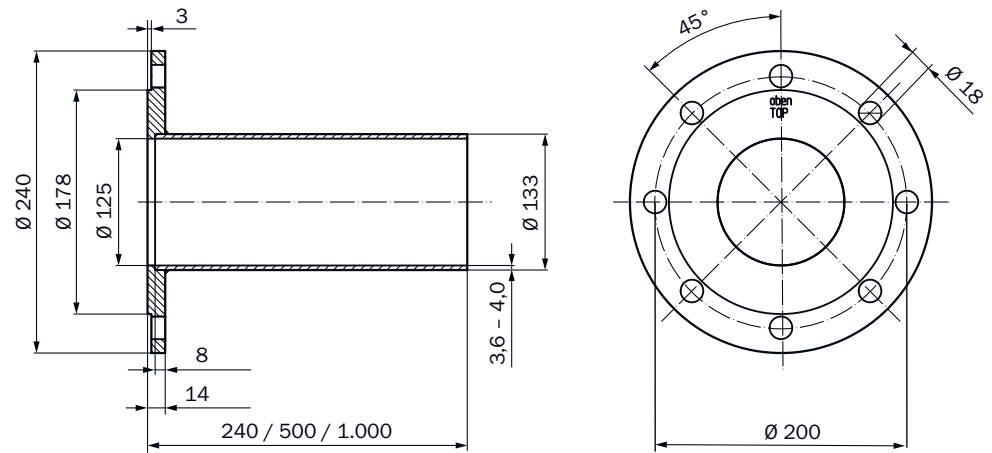


Figure 38: Flange with tube, DN125 (dimensions in mm)

12.12 Dimension drawing, purge air attachment

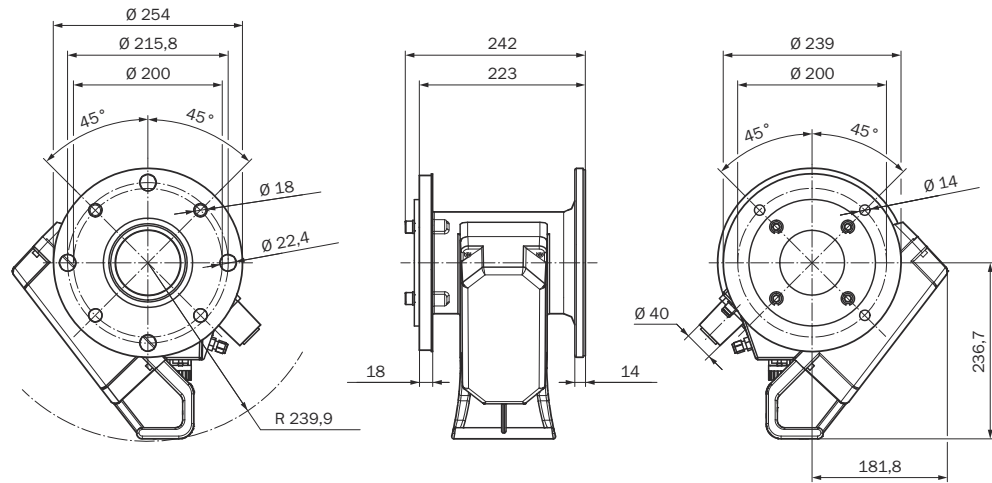


Figure 39: Purge air attachment (dimensions in mm)

12.13 Dimension drawing, connection unit

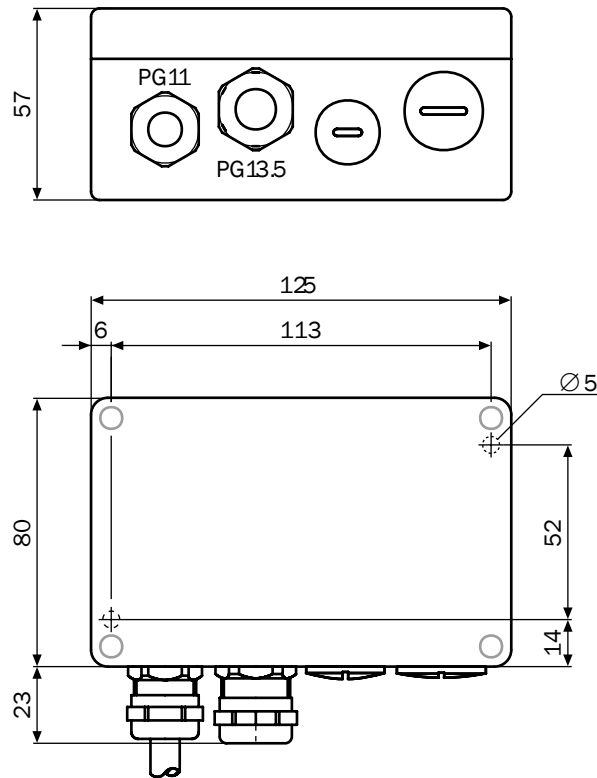


Figure 40: Dimensions, connection unit (dimensions in mm)

12.14 Dimension drawing, purge air unit, SLV4-2

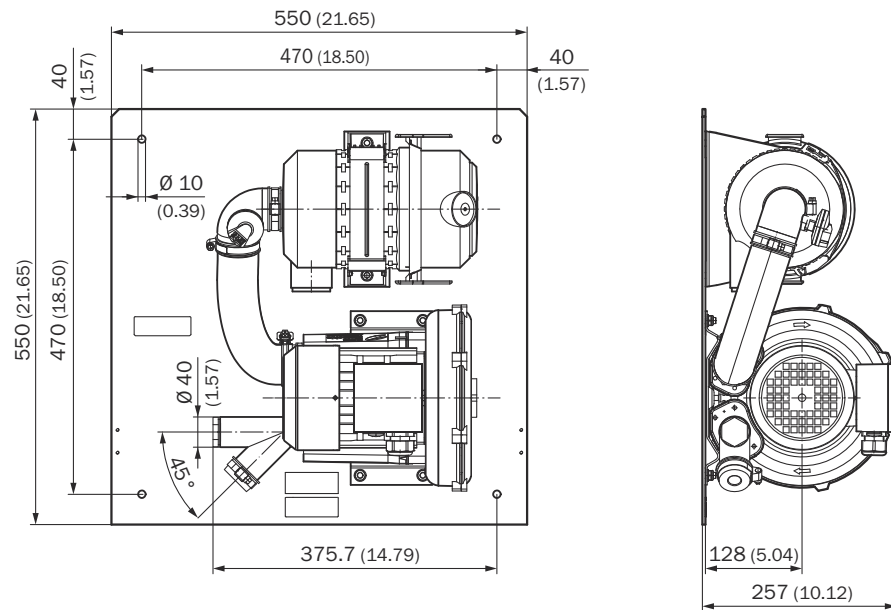


Figure 41: Dimension drawing SLV4-2, type 2BH1300 (dimensions in mm)

12.15 Dimension drawing, weather hoods

Weatherproof cover for sender/receiver unit

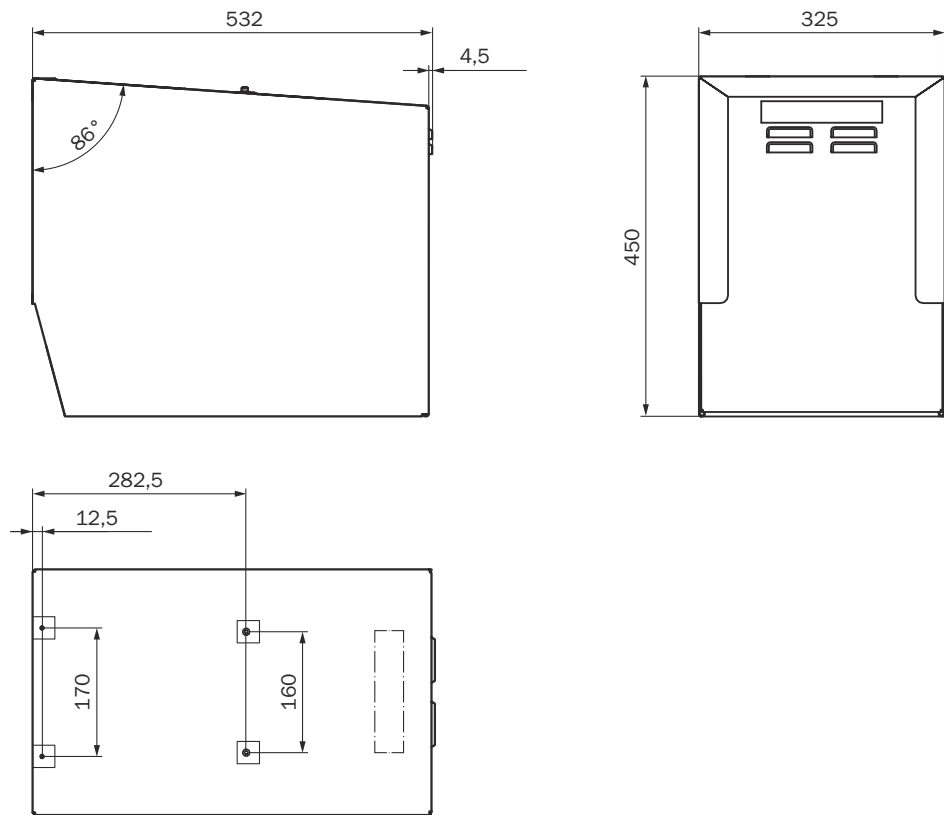


Figure 42: Weather hood for sender/receiver unit (dimensions in mm)

Weather hood for reflector unit

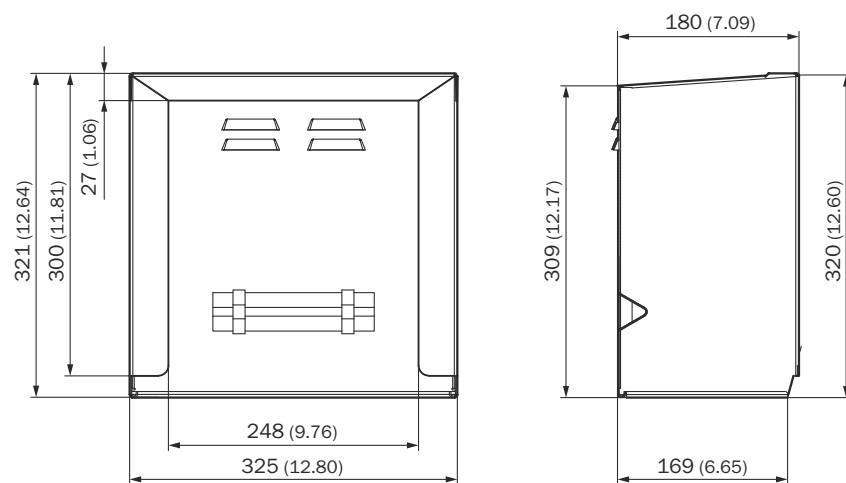


Figure 43: Weather hood for reflector unit (dimensions in mm)

Australia

Phone +61 (3) 9457 0600
1800 33 48 02 – tollfree
E-Mail sales@sick.com.au

Austria

Phone +43 (0) 2236 62288-0
E-Mail office@sick.at

Belgium/Luxembourg

Phone +32 (0) 2 466 55 66
E-Mail info@sick.be

Brazil

Phone +55 11 3215-4900
E-Mail comercial@sick.com.br

Canada

Phone +1 905.771.1444
E-Mail cs.canada@sick.com

Czech Republic

Phone +420 234 719 500
E-Mail sick@sick.cz

Chile

Phone +56 (2) 2274 7430
E-Mail chile@sick.com

China

Phone +86 20 2882 3600
E-Mail info.china@sick.net.cn

Denmark

Phone +45 45 82 64 00
E-Mail sick@sick.dk

Finland

Phone +358-9-25 15 800
E-Mail sick@sick.fi

France

Phone +33 1 64 62 35 00
E-Mail info@sick.fr

Germany

Phone +49 (0) 2 11 53 010
E-Mail info@sick.de

Greece

Phone +30 210 6825100
E-Mail office@sick.com.gr

Hong Kong

Phone +852 2153 6300
E-Mail ghk@sick.com.hk

Hungary

Phone +36 1 371 2680
E-Mail ertekezes@sick.hu

India

Phone +91-22-6119 8900
E-Mail info@sick-india.com

Israel

Phone +972 97110 11
E-Mail info@sick-sensors.com

Italy

Phone +39 02 27 43 41
E-Mail info@sick.it

Japan

Phone +81 3 5309 2112
E-Mail support@sick.jp

Malaysia

Phone +603-8080 7425
E-Mail enquiry.my@sick.com

Mexico

Phone +52 (472) 748 9451
E-Mail mexico@sick.com

Netherlands

Phone +31 (0) 30 229 25 44
E-Mail info@sick.nl

New Zealand

Phone +64 9 415 0459
0800 222 278 – tollfree
E-Mail sales@sick.co.nz

Norway

Phone +47 67 81 50 00
E-Mail sick@sick.no

Poland

Phone +48 22 539 41 00
E-Mail info@sick.pl

Romania

Phone +40 356-17 11 20
E-Mail office@sick.ro

Russia

Phone +7 495 283 09 90
E-Mail info@sick.ru

Singapore

Phone +65 6744 3732
E-Mail sales.gsg@sick.com

Slovakia

Phone +421 482 901 201
E-Mail mail@sick-sk.sk

Slovenia

Phone +386 591 78849
E-Mail office@sick.si

South Africa

Phone +27 10 060 0550
E-Mail info@sickautomation.co.za

South Korea

Phone +82 2 786 6321/4
E-Mail infokorea@sick.com

Spain

Phone +34 93 480 31 00
E-Mail info@sick.es

Sweden

Phone +46 10 110 10 00
E-Mail info@sick.se

Switzerland

Phone +41 41 619 29 39
E-Mail contact@sick.ch

Taiwan

Phone +886-2-2375-6288
E-Mail sales@sick.com.tw

Thailand

Phone +66 2 645 0009
E-Mail marcom.th@sick.com

Turkey

Phone +90 (216) 528 50 00
E-Mail info@sick.com.tr

United Arab Emirates

Phone +971 (0) 4 88 65 878
E-Mail contact@sick.ae

United Kingdom

Phone +44 (0)17278 31121
E-Mail info@sick.co.uk

USA

Phone +1 800.325.7425
E-Mail info@sick.com

Vietnam

Phone +65 6744 3732
E-Mail sales.gsg@sick.com

Detailed addresses and further locations at www.sick.com

