

DPharp EJA Series

BRAIN™ Communicating Pressure Transmitters



Basic Programming Pocket Reference Guide

ERROR CODES

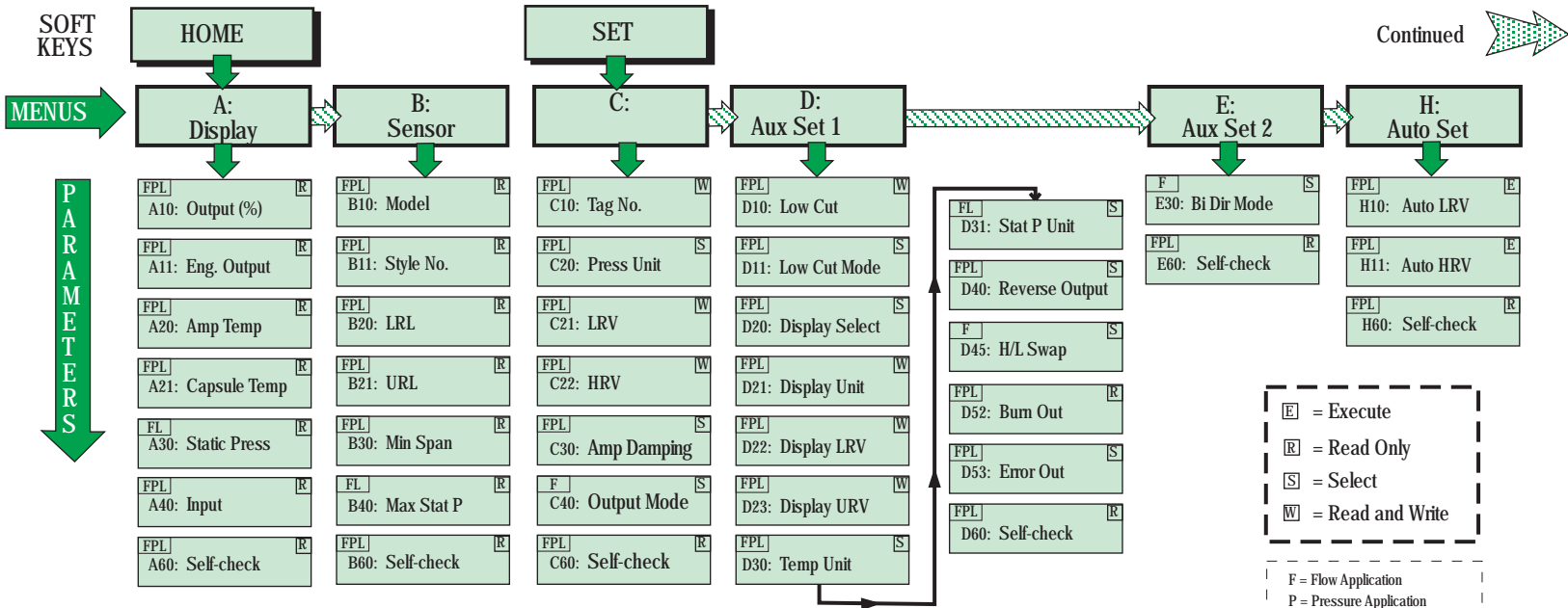
Integral Display	Brain Terminal Display	Action or Cause
Er.01	CAP MODULE FAULT	Replace Capsule
Er.02	AMP MODULE FAULT	Replace Amplifier
Er.03	OUT OF RANGE	Check Input Range
Er.04	OUT OF SP RANGE	Static Pressure > Specified Range
Er.05	OVER TEMP (CAP)	Process Temp Too High or Low
Er.06	OVER TEMP (AMP)	Ambient Temp Too High or Low
Er.07	OVER OUTPUT	Change Input or Range Setting
Er.08	OVER DISPLAY	Change Input or Display Conditions
Er.09	ILLEGAL LRV	Change Low Range Value
Er.10	ILLEGAL HRV	Change High Range Value
Er.11	ILLEGAL SPAN	Change Span Value
Er.12	ZERO ADJ OVER	Readjust Zero Point

YOKOGAWA
4 Dart Road
Newnan, GA 30265
770.254.0400

YOKOGAWA 

DPharp BRAIN Communications

Function Block Diagram



TO CALIBRATE:

1. Set C21 LRV and C22 HRV.
2. Zero transmitter in J10 at pressure or with external zero.
3. Check 0%, 50% and 100%.

OR

1. H10: Auto LRV, apply 0% pressure, press ENTER.
2. H11: Auto HRV, apply 100% pressure, press ENTER.
3. Check 0%, 50% and 100%.

BT200 BASIC OPERATION

1. POWER on, check connection, press ENTER.
2. Select HOME to view PV and transmitter limits.
3. Select SET to change engineering units, ranges and output functions.
4. Select ADJUST to adjust the display, linearity mA output.
5. When changing values press ENTER twice.
6. For Execute E Commands apply pressure and press ENTER.

