

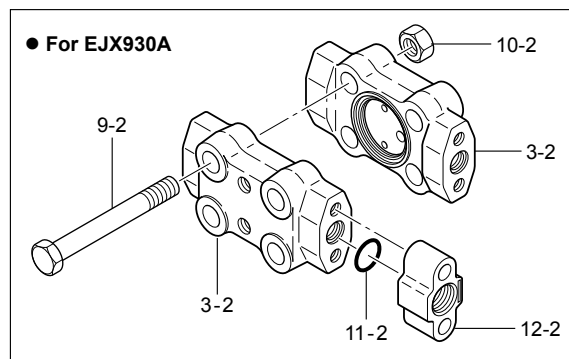
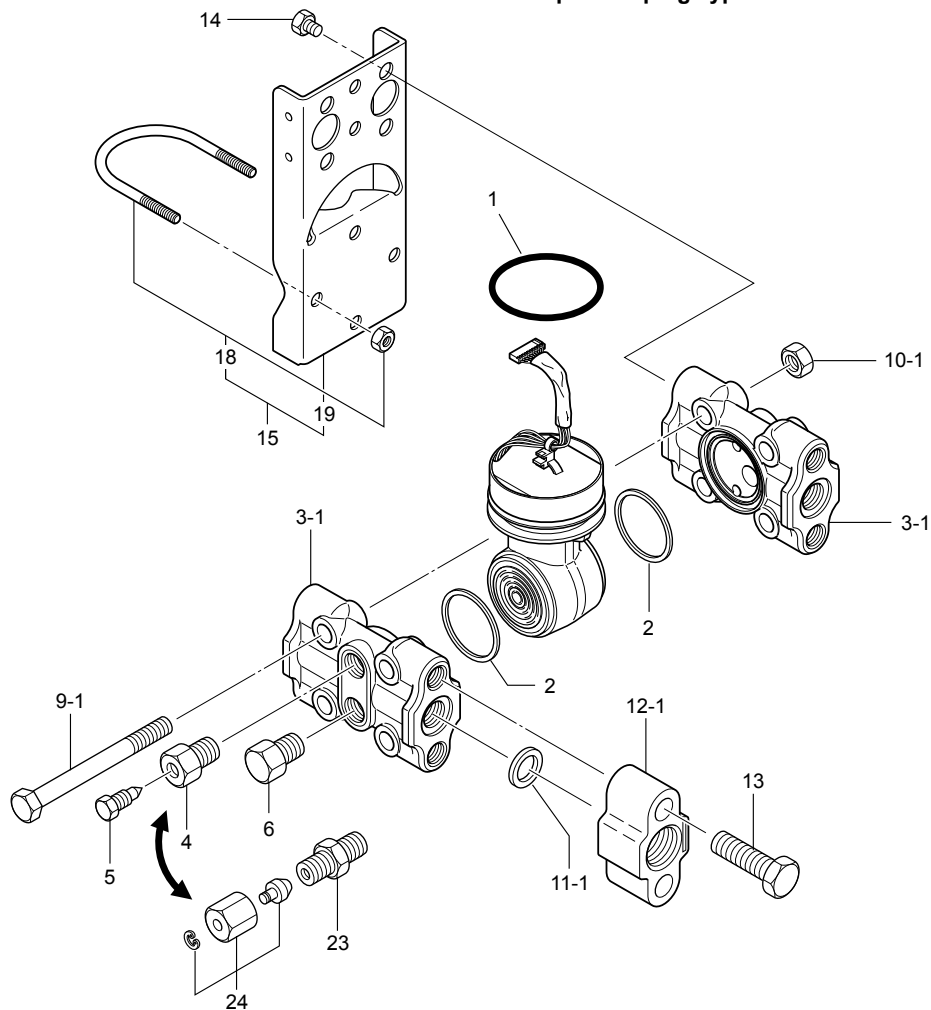
Customer Maintenance Parts List

EJX910A and EJX930A Multivariable Transmitters (Pressure-detector Section)

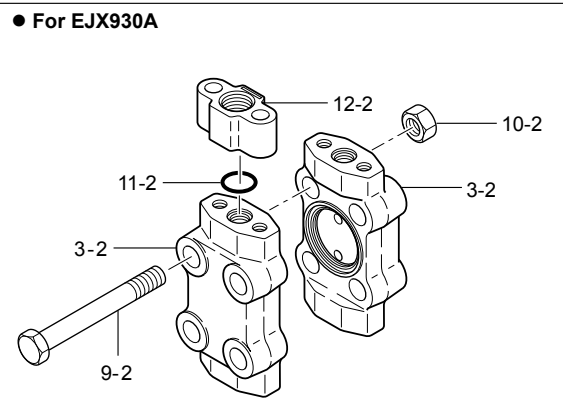
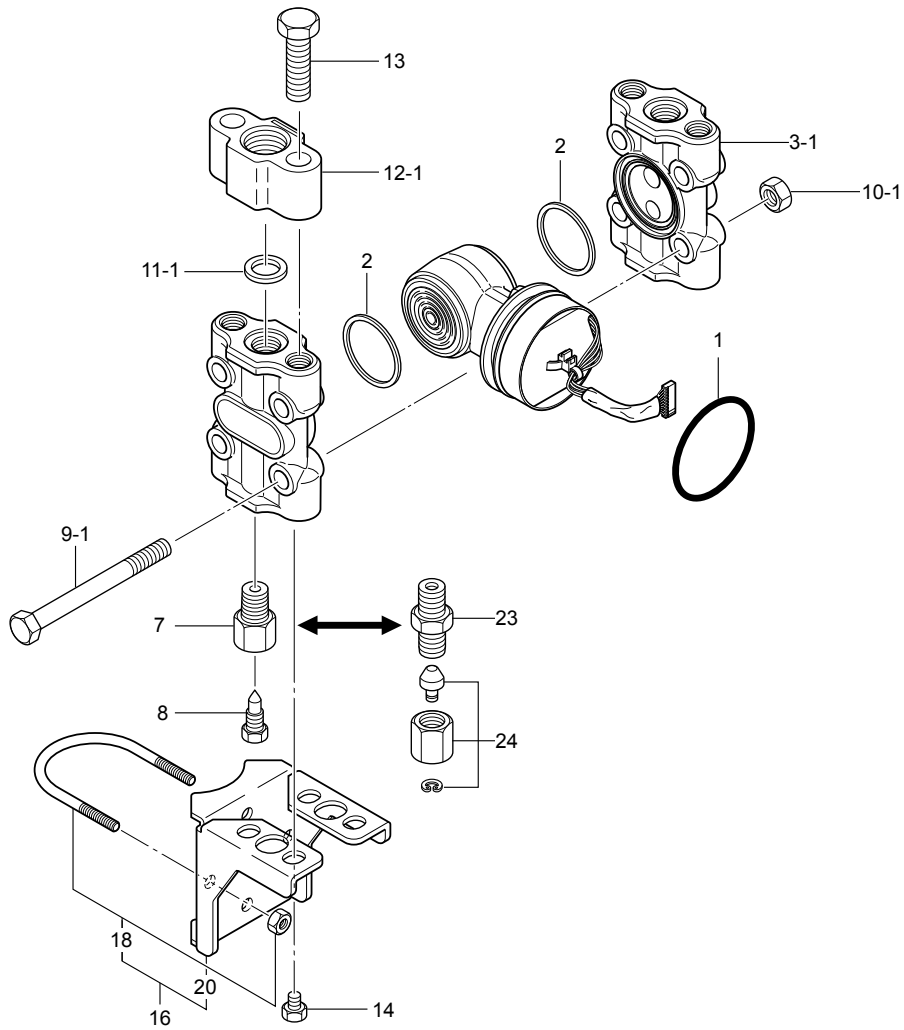


EJX910A [Style: S2]
EJX930A [Style: S1]

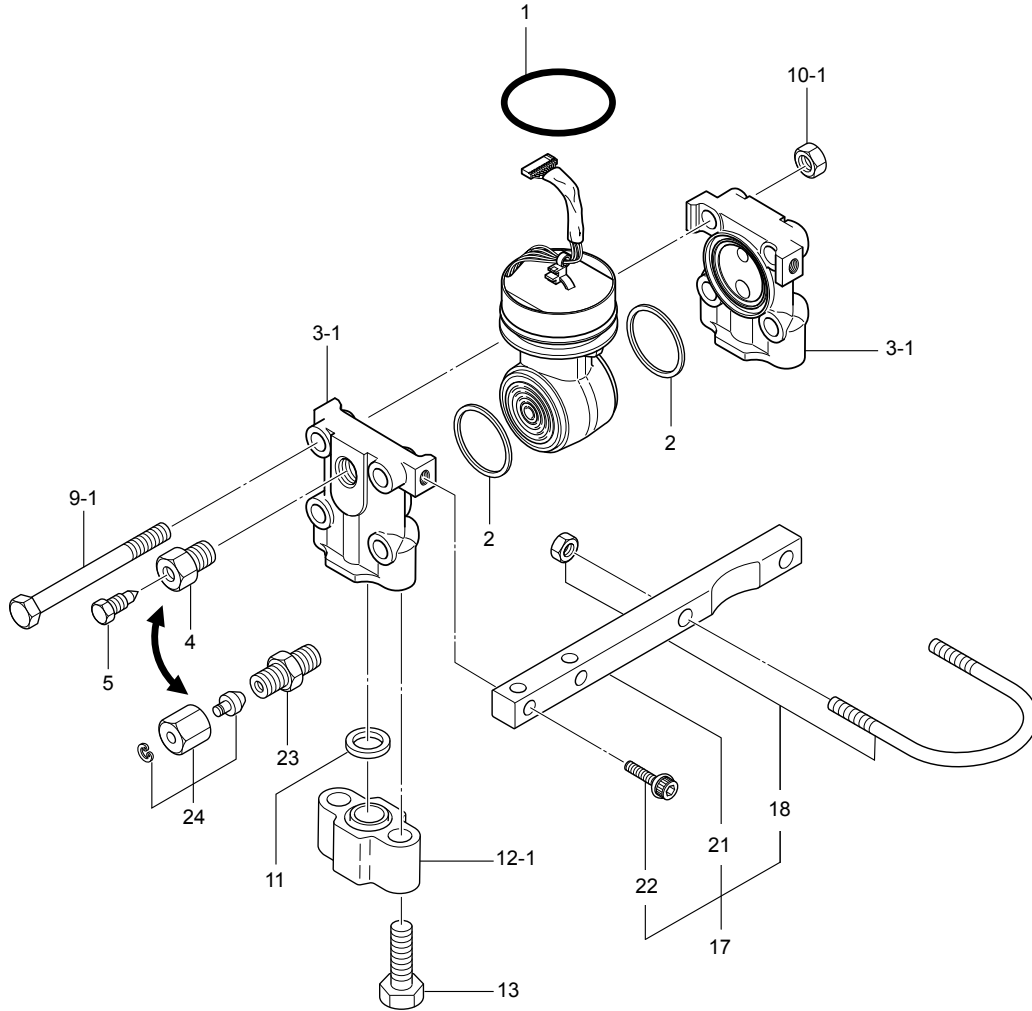
Horizontal Impulse Piping Type



Vertical Impulse Piping Type



Bottom Process Connection Type



Item	Part No.	Qty		Description
		EJX910A	EJX930A	
1	Below F9900GH F9900GT	1	1	O-ring Buna-N For Option code /HE, Fluoro-rubber
2	Below F9900EA F9300FD	2	2	Gasket (Note 1) For EJX910A, Teflon coated 316L SST For EJX930A, Teflon coated 316L SST
3-1	Below F9900TA F9900TB F9900TC F9900TD F9900TG F9900TH	2	2	Cover flange for EJX910A (Note 1) (Note 2) Rc 1/4 for horizontal impulse piping, ASTM CF-8M 1/4 NPT for horizontal impulse piping, ASTM CF-8M Rc 1/4 for vertical impulse piping, ASTM CF-8M 1/4 NPT for vertical impulse piping, ASTM CF-8M Rc 1/4 for bottom process connection, ASTM CF-8M 1/4 NPT for bottom process connection, ASTM CF-8M
3-2	Below F9340VL F9340VM F9340UH F9340UJ	2	2	Cover flange for EJX930A (Note 1) (Note 2) Rc 1/4 for horizontal impulse piping, F316 SST Rc 1/4 for vertical impulse piping, F316 SST 1/4 NPT for horizontal impulse piping, F316 SST 1/4 NPT for vertical impulse piping, F316 SST
4	Below F9340SA F9340SB	2	2	Vent plug R 1/4, 316 SST 1/4 NPT, 316 SST
5	D0114PB	2	2	Vent screw, 316 SST
6	Below F9200CS D0114RZ	2	2	Drain plug for Horizontal impulse piping type (Note 1) R 1/4, 316 SST 1/4 NPT, 316 SST
7	Below F9340SC F9340SD	2	2	Drain/vent plug R 1/4, 316 SST 1/4 NPT, 316 SST
8	F9270HE	2	2	Drain/vent screw, 316 SST
9-1	Below F9900AC F9900AA F9900AD	4	4	Bolt for EJX910A ASTM-B7M carbon steel 316L SST ASTM grade 660 stainless steel
9-2	Below F9340BJ F9340BG F9340AU	4	4	Bolt for EJX930A ASTM-B7M carbon steel 316L SST ASTM grade 660 stainless steel
10-1	Below F9900BC F9900BA F9900BE	4	4	Nut for EJX910A ASTM-B7M carbon steel 316L SST ASTM grade 660 stainless steel
10-2	Below F9900BL F9900BJ F9900BP	4	4	Nut for EJX930A ASTM-B7M carbon steel 316L SST ASTM grade 660 stainless steel
11-1	D0114RB	2	2	Gasket for EJX910A, PTFE Teflon (Note 1)
11-2	F9340GN	2	2	O-ring for EJX930A, Fluorinated rubber (Note 1)
12-1	Below 1 F9340XY F9340XW F9340XZ F9340XX	2	2	Process connector for EJX910A Rc 1/4, ASTM CF-8M Rc 1/2, ASTM CF-8M 1/4 NPT, ASTM CF-8M 1/2 NPT, ASTM CF-8M
12-2	Below F9340WV F9340WU F9340XT F9340XS	2	2	Process connector for EJX930A Rc 1/4, ASTM CF-8M Rc 1/2, ASTM CF-8M 1/4 NPT, ASTM CF-8M 1/2 NPT, ASTM CF-8M
13	Below F9900AU F9900AS F9340BZ	4	4	Process connector bolt ASTM-B7M carbon steel 316L SST stainless steel ASTM grade 660 stainless steel

(Note 1) In case of degrease cleansing treatment (Option code /K1, /K2, /K5, or /K6), consult Yokogawa local office.

(Note 2) Not applicable for Option code /GS, /N1, /N2, or /N3.

Item	Part No.	Qty		Description
		EJX910A	EJX930A	
14	Below F9273CZ F9900SH	4	4	Transmitter mounting bolt SUSXM7 for Mounting bracket code B and D 316 SST for Mounting bracket code J and K
15	Below F9300TA F9900SA	1	1	Bracket assembly (Flat type) 304 SST 316 SST
16	Below F9340EC F9900SC	1	1	Bracket assembly (L type) 304 SST 316 SST
17	F9900SE	1		Bracket assembly (Bottom process connection), 316 SST and ASTM CF-8M
18	Below D0117XL-A F9900SN	1	1	U-bolt/nut assembly, 304 SST 316 SST
19	Below F9300TE F9300SB	1	1	Bracket (Flat type) 304 SST 316 SST
20	Below F9340EM F9300SD	1	1	Bracket (L type) 304 SST 316 SST
21	F9900SF	1		Bracket (Bottom process connection), ASTM CF-8M
22	F9900SG	2		Screw, 316 SST
23	Below F9275EC F9275ED	2	2	Vent plug (degreased), 316 SST R 1/4 1/4 NPT
24	F9275EE	2	2	Needle assembly (degreased), 316 SST