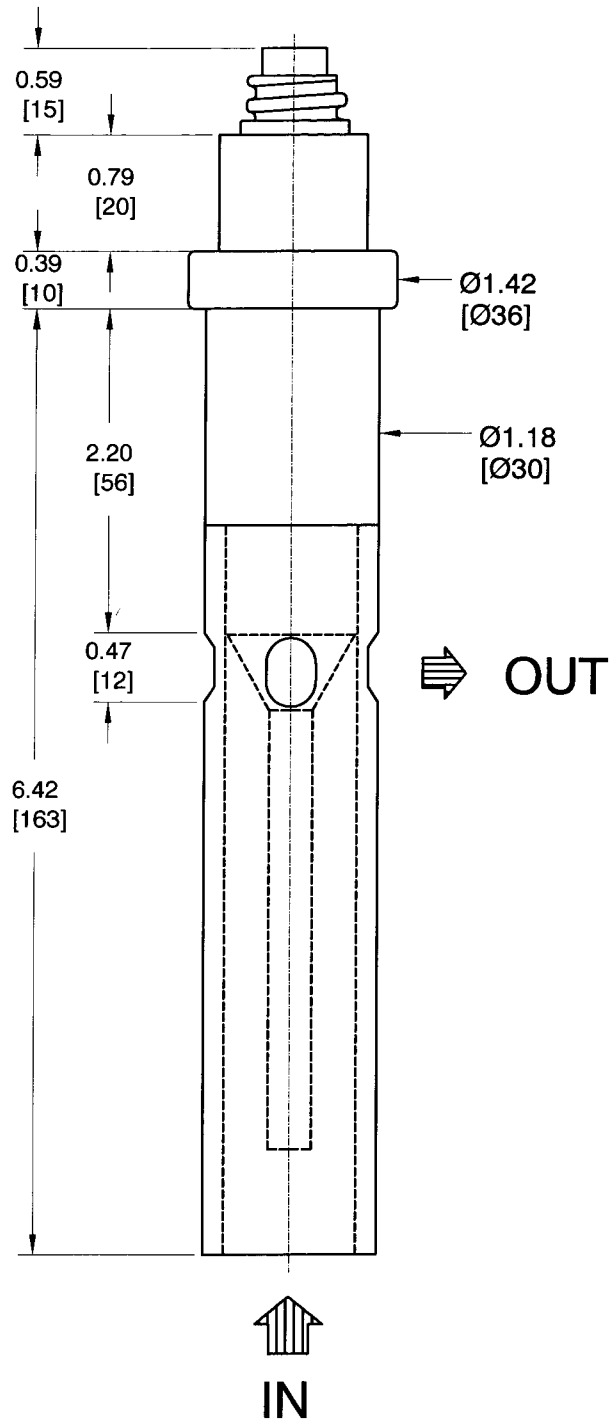


PLUG-IN FLOW SENSORS
(STAINLESS STEEL)
FOR 2-ELECTRODE SYSTEM



SC42 LARGE BORE CONDUCTIVITY SENSORS
2-ELECTRODE OR 4-ELECTRODE FLOW TYPE
Pt1000 TEMPERATURE SENSOR
VARIOUS BODY CONSTRUCTIONS, LENGTHS, CELL CONSTANTS

UNITS:
IN [MM]

YOKOGAWA 

2 DART ROAD

NEWNAN, GEORGIA 30265