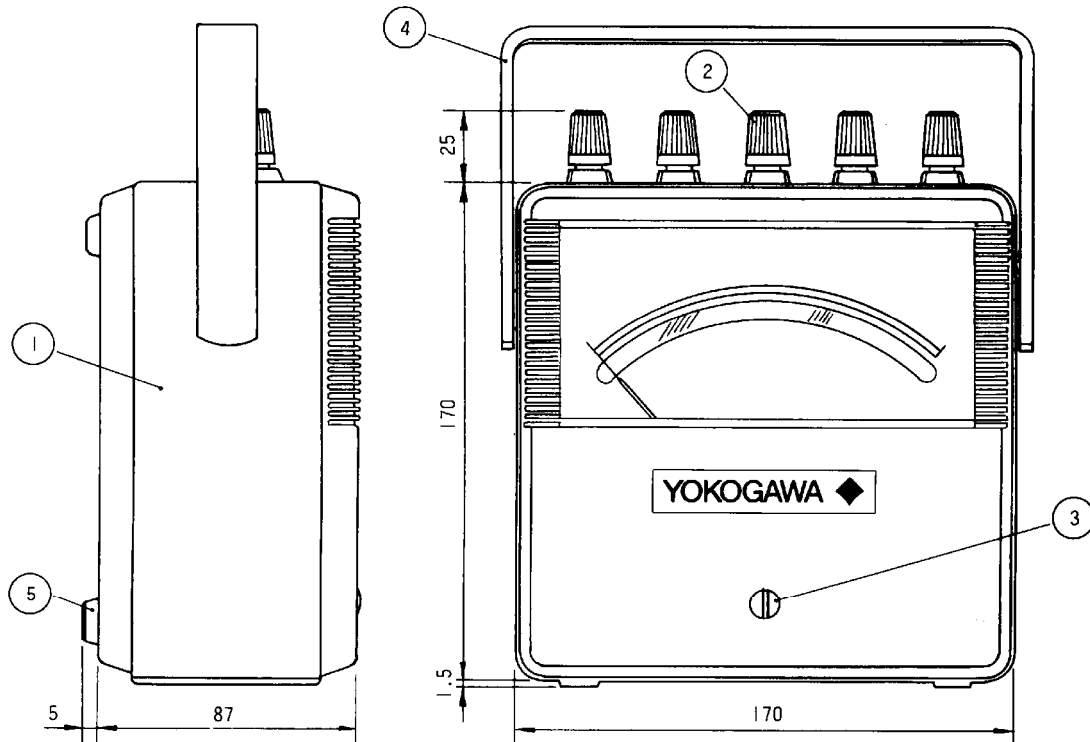


Drawings

2017 30 Portable Audio-Frequency Voltmeter

Unit : mm
(approx. inch)



No.	Name
①	Case
②	Terminal
③	Zero adjuster
④	Carrying strap
⑤	Leg

Unless otherwise specified here, all dimensions should be applied tolerance of $\pm 3\%$ ($\pm 0.3\text{mm}$ in case less than 10 mm.).

WEIGHT APPROX. kg

YOKOGAWA ◆

SD 2017 30-E
1st Edition: Oct. 21, 1986
2nd Edition: May. 26, 1989