

GENERAL

FLUID	: Air or neutral gas, filtered, lubricated or not
PRESSURE	: 2 to 10 bar (pilot 190) 2 to 12 bar (pilot 192)
TEMPERATURE	: - 10 °C, + 60 °C
FLOW (Qv at 6 bar)	: see table below
PILOT PRESSURE	: In external supply, the pressure of the pilot fluid must be at least equal to the fluid pressure

CONSTRUCTION

Body in light alloy
Internal parts in steel and light alloy
Sealing in nitrile (NBR)
Subbases in light alloy



ELECTRICAL CHARACTERISTICS OF PILOTS

Type of sol. valve		Voltages	Consumption		Insulation class	Protection degree	Electrical connection
			Inrush	Hold			
Series 190	~	24V - 48V - 115V - 230V / 50 Hz	9VA	4VA (3W)	F	IP 65	spade plug size 30 connector, ISO4400/EN175301-803, form A, rotatable by 90°
	=	24V - 48V	3 W				
Series 192	~	24V - 48V - 115V - 230V / 50 Hz	12VA	6VA(4W)	F	IP 65	
	=	24V - 48V	5 W				

The solenoid valve 190 is dual voltage (24 V~, 12 V=) (48V~, 24V=) (115V~, 48 V=) (230V ~, 115V=)

SPECIFICATIONS

Pipe size	Orifice size (mm)	Flow		Fluid pressure ⁽¹⁾ (bar)		2 catalogue numbers		(M)	Reference
		at 6 bar l/min (ANR)	coef. KV	min.	max.	VALVE	PILOT with standard connector		
G 1/2	14	3000	42	2	10/12	26690018	} + }	×	G/DP 303/O
G 1	22	9100	130	2	10/12	26790014		●	
G 1 1/2	40	31500	450	2	10/12	26890298 ⁽²⁾		▼	
								×	G/DP 305/O
								●	GDM/DP 307/O
								▼	

(M) Type of manual operator on pilot(s): X : without ● : maintained ▼ : impulse

(1) 10 bar (with pilot 190), 12 bar (with pilot 192)

(2) Valve always delivered with an intermediary amplifier valve 3/2 - Ø 8 mm, series 261 (cat no. 26190067)

SUBBASES

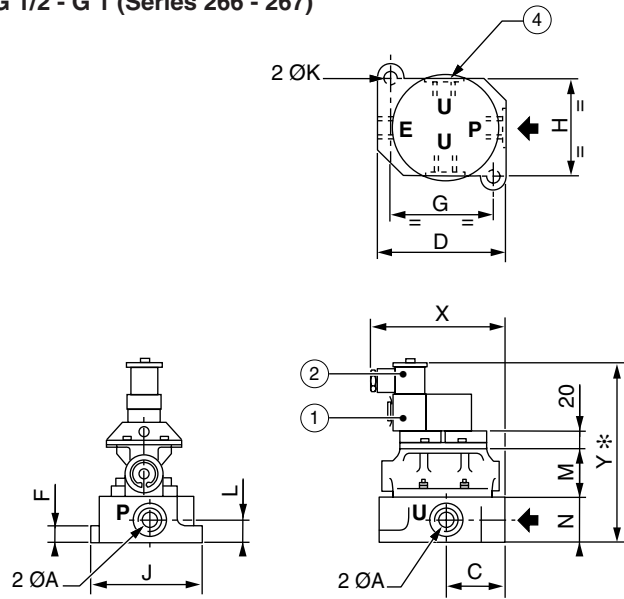
For a valve with mounting face	CHARACTERISTICS			catalogue number	References
	Subbase type	Pipe size	Connection type		
CNOMO 06.05.82/83 AFNOR E49068/69 G 1/2	SINGLE	G 1/2	Side ports	35700014	P/DP 303
	JOINABLE	G 1/2	Side ports	35700034	PJ/DP 303
CNOMO 06.05.84 AFNOR E49070 G 1	SINGLE	G 1	Side ports	35700016	P/DP 305
	JOINABLE	G 1	Side ports	35700036	PJ/DP 305
CNOMO 06.05.85 AFNOR E49071 G 1 1/2	SINGLE	G 1 1/2	Bottom ports	35700030	P/DP 307

OPTIONS

- Other voltages or frequency 60 Hz, on request
- Solenoid pilot 190 with solenoid head for dusty explosive atmospheres (**SG**), zone 22
- Solenoid valve, intrinsically safe (contact us)
- Connector with cable outlet, 2 m: cat no. **88122612**
- Solenoid valve 190 - 192 with connector and built-in visual indicator and protection
- Valve function NO (normally open to rest)

DIMENSIONS AND WEIGHTS OF SUBBASE MOUNTED POPPET VALVES

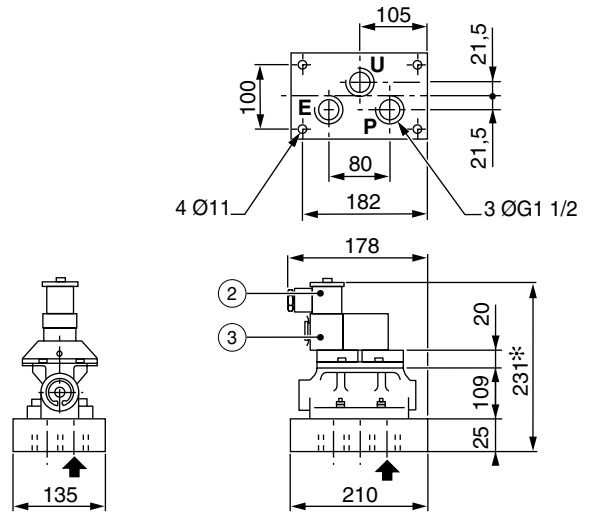
VALVE ON SINGLE SUBBASES
G 1/2 - G 1 (Series 266 - 267)



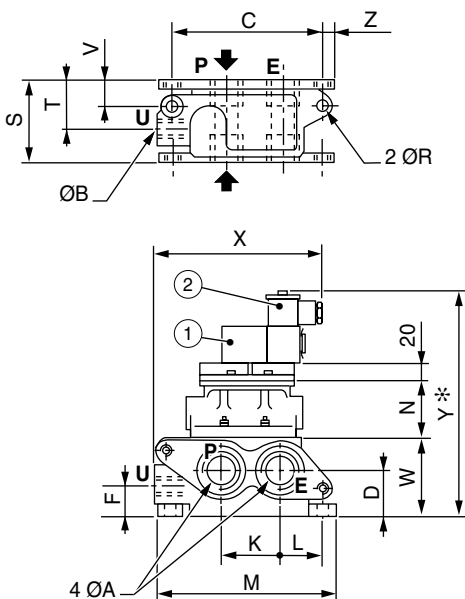
Series	266	267
ØA	G 1/2	G 1
C	49	93,5
D	92	164
F	9	12
G	76	144
H	62	68
J	78	88
K	9	11
L	18	25
M	58	74
N	34	55
X	115	155
Y	189	226
Weight (kg)	1,500	2,300

- ① Pilot series 190 or 192
 - ② Connector rotatable by 90°
 - ③ Pilot series 192
 - ④ "U" connectable on 2 ports
- * +15 mm for connector clearance

VALVE ON SINGLE SUBBASES
G 1 1/2 (Series 268)
Weight : 3 kg



VALVE ON JOINABLE SUBBASES
G 1/2 - G 1 (Series 266 - 267)



Series	266	267
ØA	G 3/4	G 1 1/4
ØB	G 1/2	G 1
C	130	172
D	36	56
F	25	37
L	34	45
M	152	203
N	58	74
R	11	14
S	85	104
T	56	63
V	28	32
W	65	95
X	149	176
Y	220	266
Z	11	14
Weight (kg)	2,100	3,700

- ① Pilot series 190 or 192
 - ② Connector rotatable by 90°
- * +15 mm for connector clearance