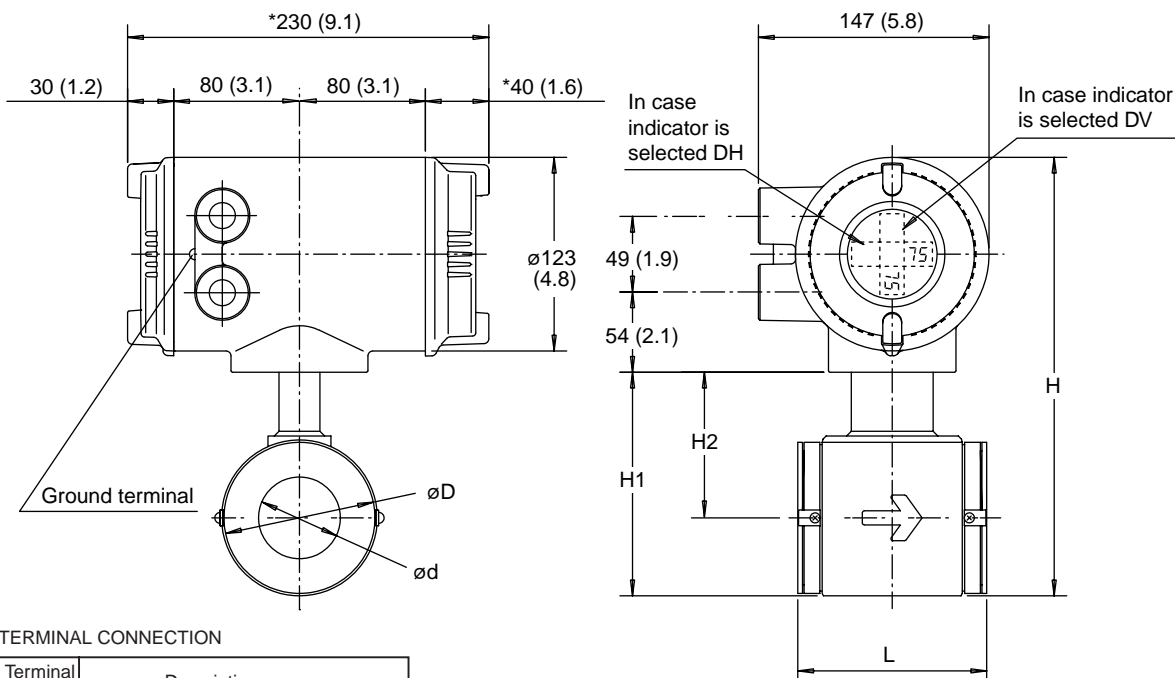


CA202SG/SN/SC, CA204SG/SN/SC, CA205SG/SN/SC, CA208SG/SN/SC, CA210SG/SN/SC Capacitance Magnetic Flowmeter

Unit : mm
(approx, inch)



TERMINAL CONNECTION

Terminal symbols	Description
I+ I-] Current output 4 to 20mA DC
L/+ N/-	
⊕] Power and Protective Grounding
P+ P-] Pulse or Alarm output

CA202S
204
205
208
210

* The length marked as * is shorter by approx. 10mm (0.4") for non indicator type.

** The flow direction is opposite (right to left when facing onto indicator) in case of optional code / CRC.

Type	General (SG)					Ex-proof (SN/SC)					
Size code	202	204	205	208	210	202	204	205	208	210	
Size	25 (1.0)	40 (1.5)	50 (2.0)	80 (3.0)	100 (4.0)	25 (1.0)	40 (1.5)	50 (2.0)	80 (3.0)	100 (4.0)	
Lining	Ceramics										
Face to face length	L	93 (3.7)	106 (4.2)	120 (4.7)	160 (6.3)	180 (7.1)	93 (3.7)	106 (4.2)	120 (4.7)	160 (6.3)	180 (7.1)
Outer diameter	∅D	67.5 (2.7)	86 (3.4)	99 (3.9)	129 (5.1)	155 (6.1)	67.5 (2.7)	86 (3.4)	99 (3.9)	129 (5.1)	155 (6.1)
Inner diameter of Grounding ring	∅d	27 (1.1)	40 (1.6)	52 (2.1)	81 (3.2)	98 (3.9)	27 (1.1)	40 (1.6)	52 (2.1)	81 (3.2)	98 (3.9)
Height	H	250.6 (9.9)	271 (10.7)	283.5 (11.2)	313.5 (12.3)	349.5 (13.8)	248.6 (9.8)	269 (10.6)	281.5 (11.1)	311.5 (12.3)	347.5 (13.7)
Height	H1	110.6 (4.4)	131 (5.2)	143.5 (5.6)	173.5 (6.8)	209.5 (8.2)	108.6 (4.3)	129 (5.1)	141.5 (5.6)	171.5 (6.8)	207.5 (8.2)
Height	H2	76.8 (3.0)	87.5 (3.4)	94 (3.7)	109 (4.3)	132 (5.2)	74.8 (2.9)	85.5 (3.4)	92 (3.6)	107 (4.2)	130 (5.1)
Weight kg (lb)		4.6 (10.1)	5.5 (12.1)	6.5 (14.3)	9.2 (20.3)	12.3 (27.1)	4.6 (10.1)	5.5 (12.1)	6.5 (14.3)	9.2 (20.3)	12.3 (27.1)

Unless otherwise specified, difference in the dimensions are specified as : General tolerance = ± (Criteria of tolerance class IT18 in JIS B0401) / 2