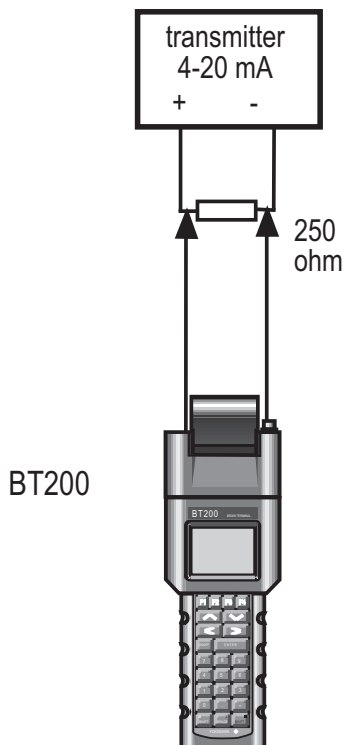


AE SELF-CHECK ERROR MESSAGES

Good - System check OK, No error
Error - Programming error or system fault
MP Fault - Bad Microprocessor, return for repair
EEPROM FAULT - EEPROM Error
A/D (H) Fault - Amplifier failure, return for repair
A/D (L) Fault - Amplifier failure, return for repair
Signal Overflow - Actual flow rate > B03, B04, B05
Coil Open - Turn power off, check amplifier connections. If OK check, call service.
Vel. Span > 10M/S - B-03, B-04, B-05 > 10 m/sec.
Vel. Span < 0.3M/S - B-03, B-04, B-05 < 0,3 m/sec.
P. Span > 1000 P/S - Pulse output set too fast
P. Span < 0.0001 P/S - Pulse output set too slow
T. Span > 1000 P/S - Totalizer output set too fast
T. Span < 0.0001 - Totalizer output set too slow
Multi Range Error - Check E20-E43 parameters
4-20 Limit Error - Span out of range
Empty Pipe - Pipe is not filled with liquid



BRAIN™
Communicating Products
include:

YEWFLO
Vortex Shedding Flowmeters

•
ADMAG
Magnetic Flowmeters

•
DPharp
Digital Pressure Transmitters

•
UNIDELTA
Pressure Transmitters

•
YT200
Temperature Transmitters

ADMAG AE

BRAIN Communicating
Magnetic Flowmeters



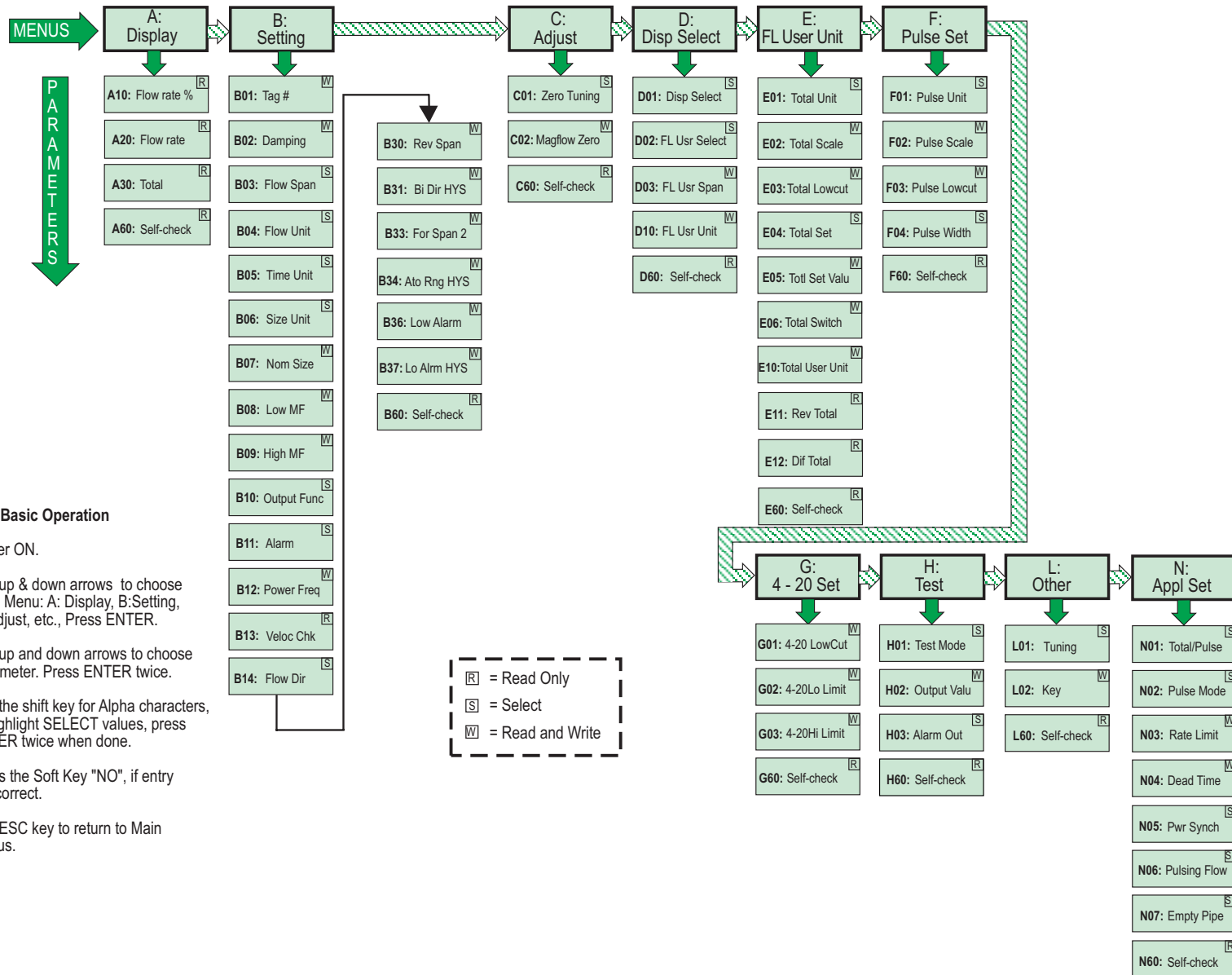
Basic Programming
Pocket Reference Guide

YOKOGAWA
 2 Dart Road
 Newnan, GA 30265
 770.254.0400

YOKOGAWA ◆

ADMAG AE BRAIN Communications

Function Block Diagram



BT200 Basic Operation

1. Power ON.
2. Use up & down arrows to choose Main Menu: A: Display, B: Setting, C: Adjust, etc., Press ENTER.
3. Use up and down arrows to choose Parameter. Press ENTER twice.
4. Use the shift key for Alpha characters, or highlight SELECT values, press ENTER twice when done.
5. Press the Soft Key "NO", if entry is incorrect.
6. Use ESC key to return to Main Menus.