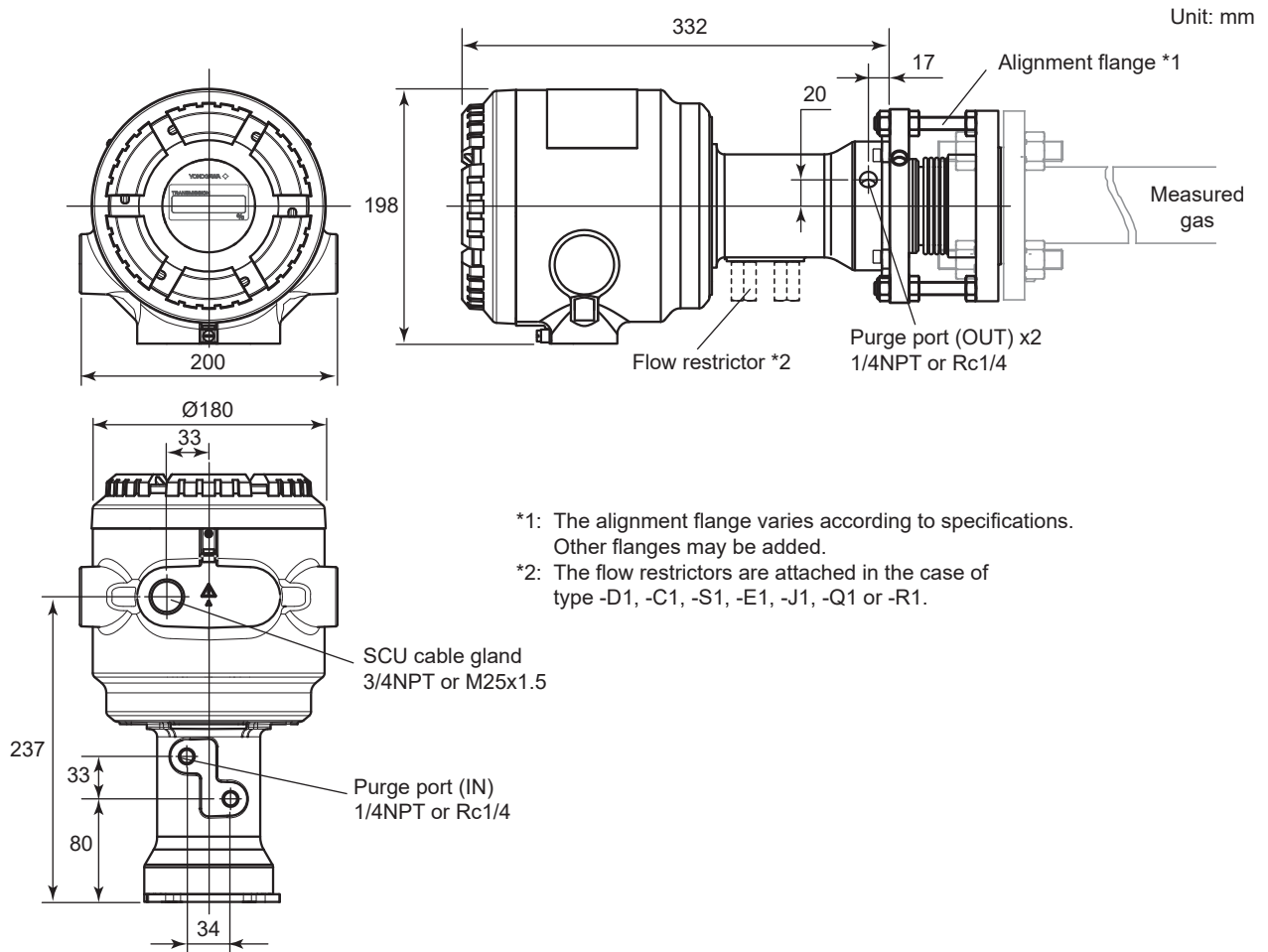


# Drawings

## TDLS8000 Tunable Diode Laser Spectrometer

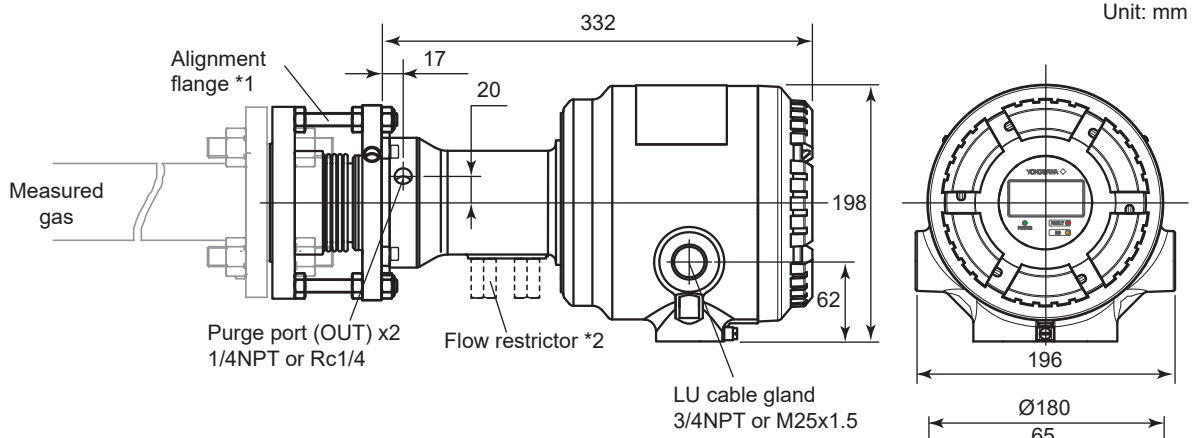
- LU



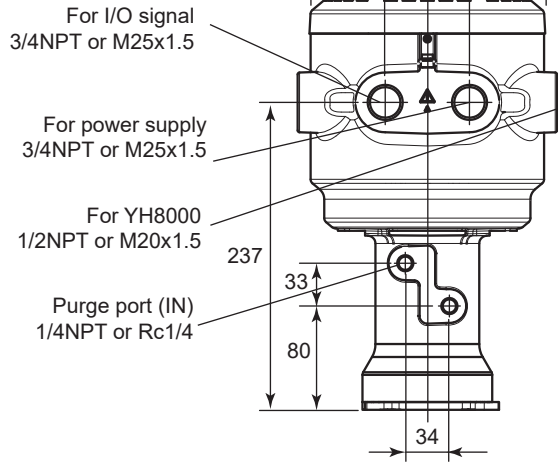
Weight: Approx. 8 kg

Unless otherwise specified, differences in the dimensions are specified as: General tolerance =  $\pm$ (Criteria of tolerance class IT18 in JIS B0401-1998)/2.

• SCU

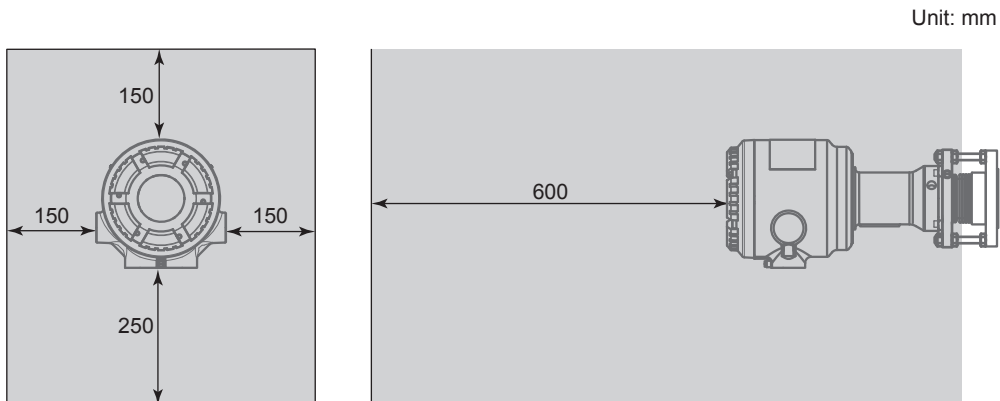


- \*1: The alignment flange varies according to specifications. Other flanges may be added.
- \*2: The flow restrictors are attached in the case of type -D1, -C1, -S1, -E1, -J1, -Q1 or -R1.



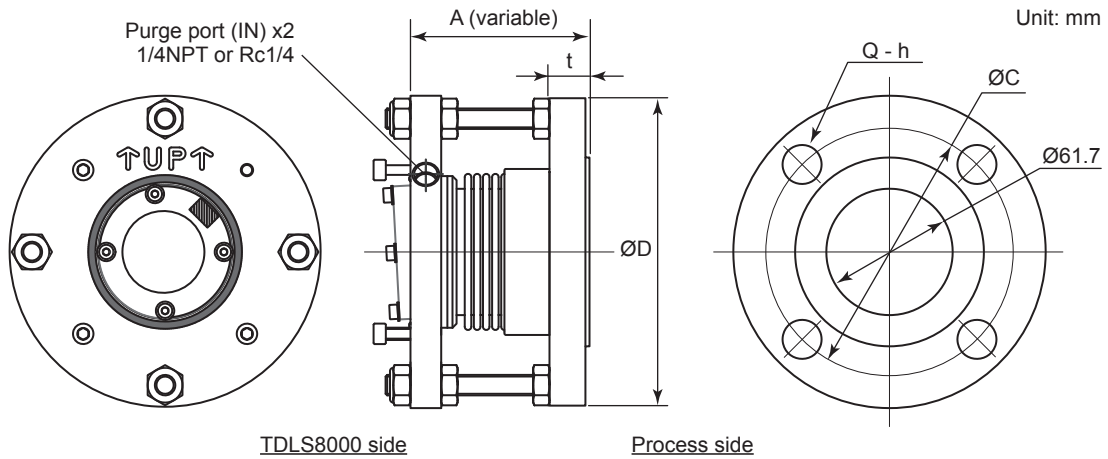
Weight: Approx. 8 kg

• Maintenance space



Unless otherwise specified, differences in the dimensions are specified as: General tolerance =  $\pm$ (Criteria of tolerance class IT18 in JIS B0401-1998)/2.

● **Alignment Flange**

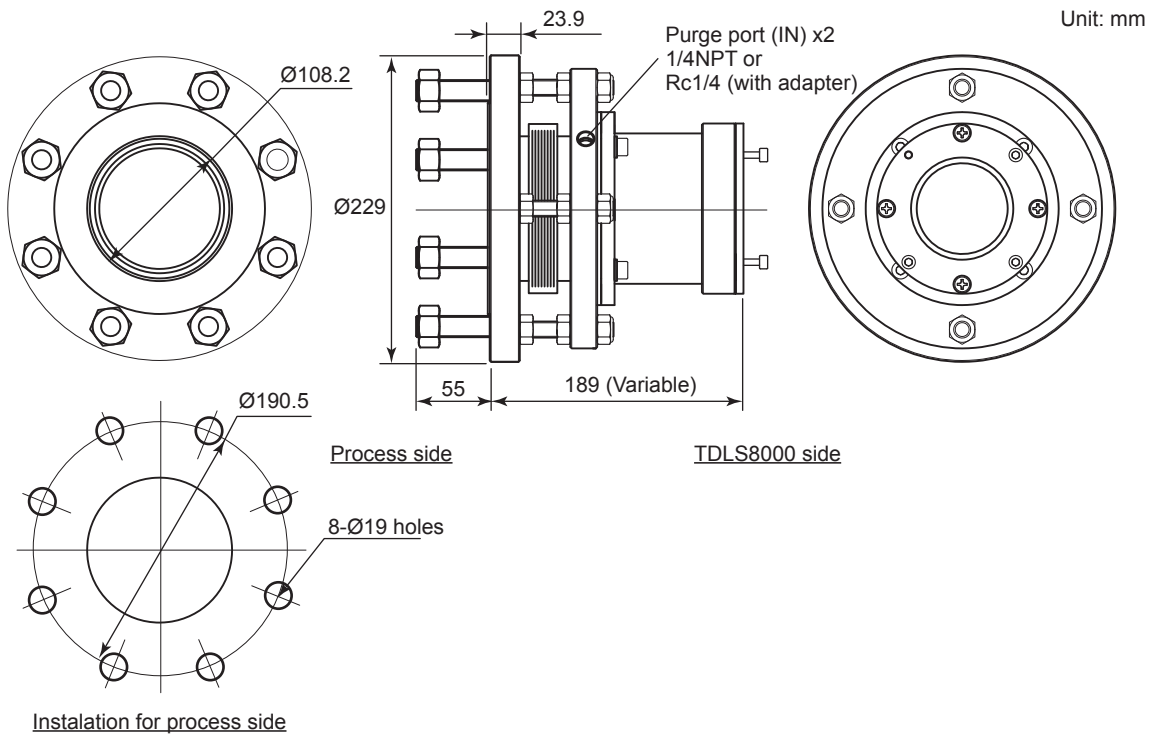


	Optics Accessory code (flange)	Hole QTY Q	Hole h	Hole P.C.D C	Thickness t	Outside dia. D	Distance A	Purge port	Weight (kg/pc)
-U2	ANSI CLASS150-2-RF(Eq.)	4	19	120.7	19.5	150	87	1/4NPT	Approx. 5
-U3	ANSI CLASS150-3-RF(Eq.)	4	19	152.4	24.3	190	92	1/4NPT	Approx. 7
-U4	ANSI CLASS150-4-RF(Eq.)	8	19	190.5	23.9	228.6	92	1/4NPT	Approx. 9
-D5	DIN PN16-DN50-D(Eq.)	4	18	125	18	165	86	Rc1/4	Approx. 3
-D8	DIN PN16-DN80-D(Eq.)	8	18	160	20	200	88	Rc1/4	Approx. 6
-J5	JIS 10K-50-FF(Eq.)	4	19	120	16	155	84	Rc1/4	Approx. 5
-J8	JIS 10K-80-FF(Eq.)	8	19	150	18	185	86	Rc1/4	Approx. 6

Note: When Optic accessory code is “-LA”, refer to below drawing.  
When Optic accessory code is “-FC”, refer to the drawings of YC8000 (SD11Y01D01-21JA).

□ **LAO (Large Aperture Optics); Optics Accessory code “-LA”**

This accessory is only for SCU side. For LU side, the Alignment flange ANSI CLASS150-4-RF (Eq.) will be mounted. When piping is Rc1/4, a conversion adapter will be attached on the Alignment flange of the LU side.



Weight: Approx. 14 kg

Unless otherwise specified, differences in the dimensions are specified as: General tolerance = ±(Criteria of tolerance class IT18 in JIS B0401-1998)/2.

## ■ Wiring Diagram

