

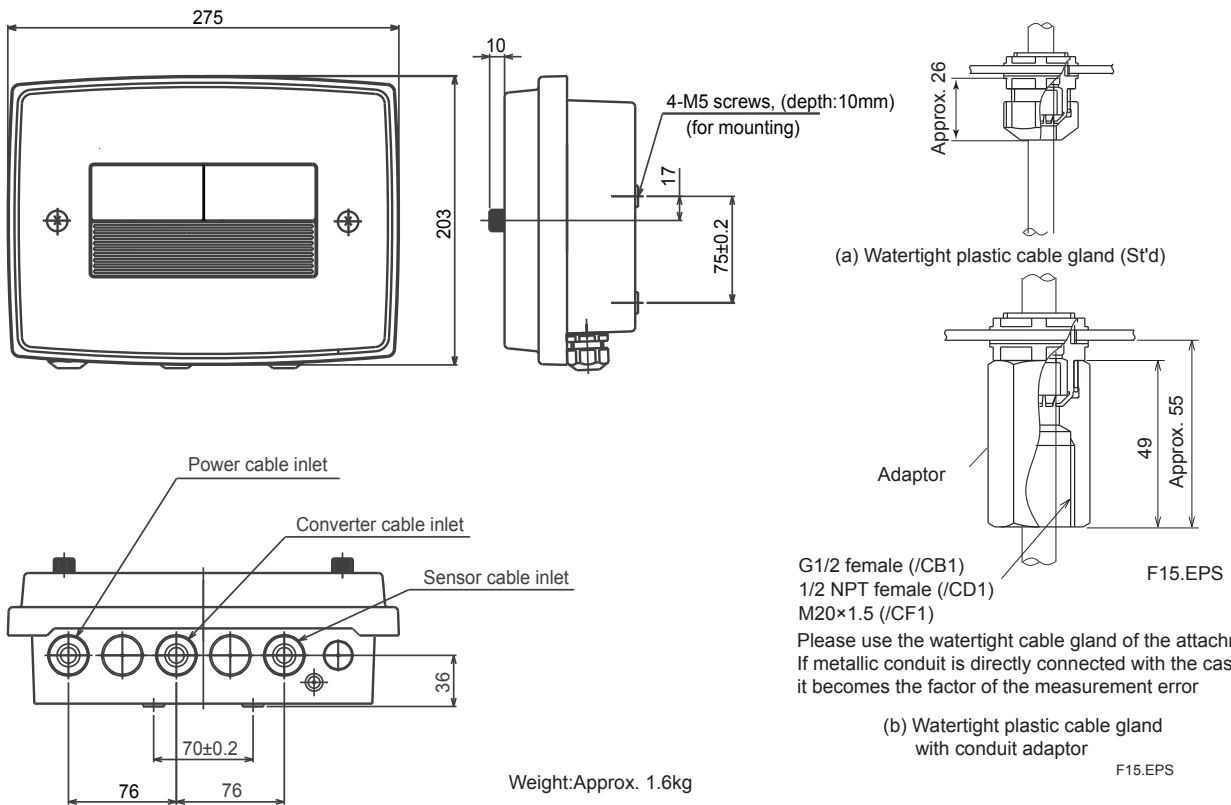
# Drawings

## Model DOX10 Power Supply Unit

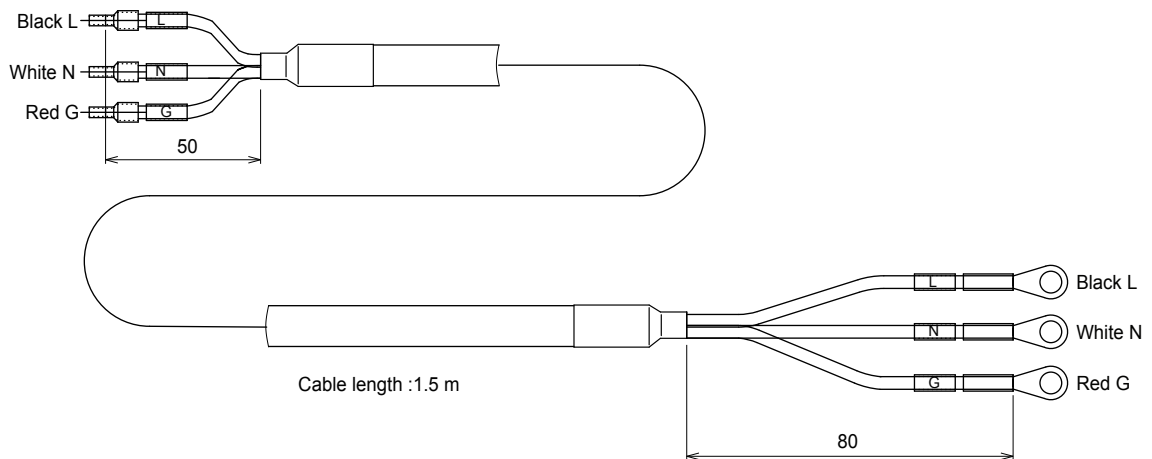
### External dimensions

Unit: mm

#### DOX10 Power Supply Unit



#### Attached cable with DOX10 (Not supplied if suffix code "-00-N" is selected)



Model and Suffix Code	L (mm)
DOX10 - U - 00 - N	No cable
DOX10 - U - 15 - N	Approx. 1,500

Weight : Approx. 0.3kg (1,500mm)

Unless otherwise specified, differences in the dimensions are specified as: General tolerance = ± (Criteria of tolerance class IT18 in JIS B0401-1998) / 2.

**YOKOGAWA** ◆

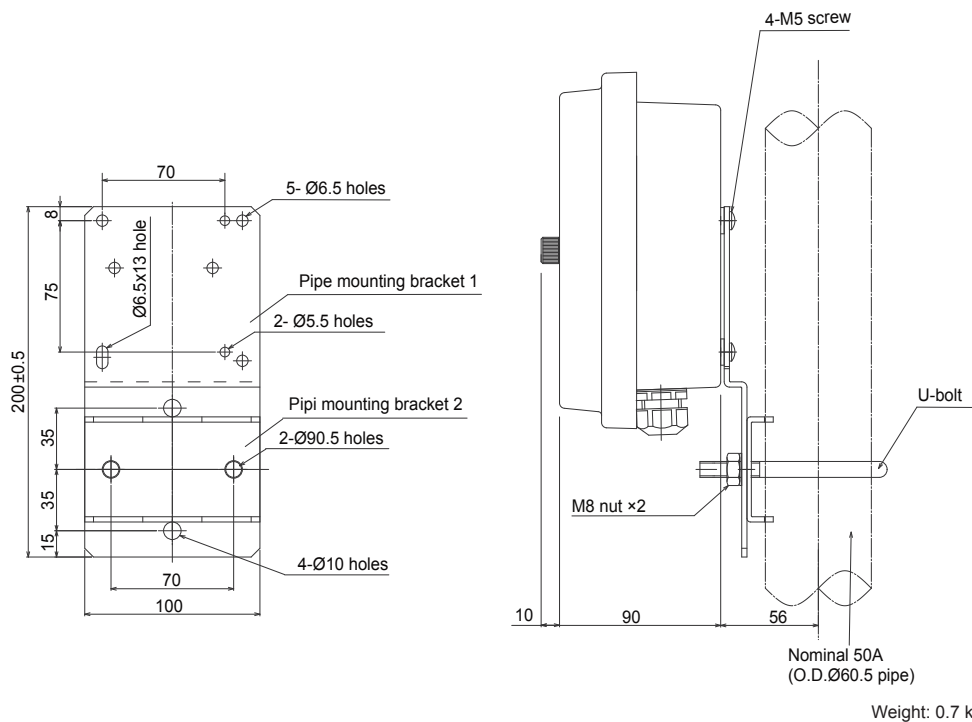
横河電機株式会社

All Rights Reserved, Copyright © 2012, Yokogawa Electric Corporation.  
Subject to change without notice.

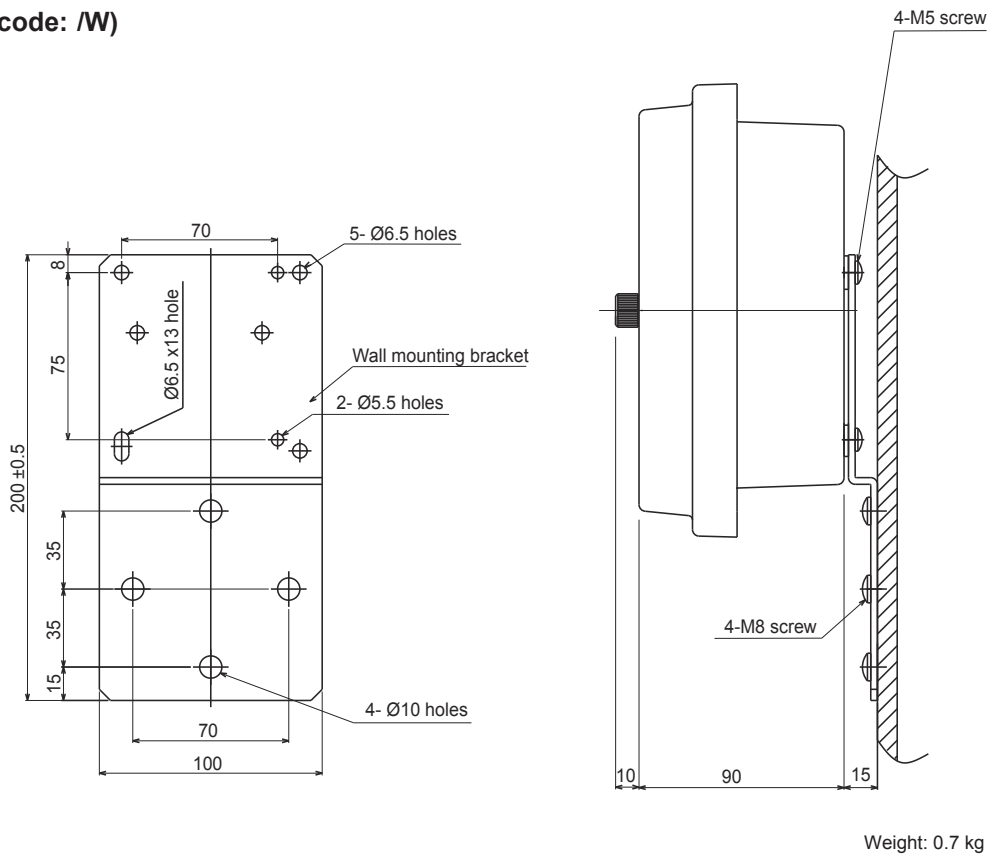
SD 12J05S01-01E 1/3  
1st Edition : Febr. 2012 (YK)

□ Pipe mounting bracket for power supply unit (optional)  
 (option code: /P)

Unit: mm



□ Wall mounting bracket for power supply unit (optional)  
 (option code: /W)



# Wiring diagram

